

Leemac

The best choice in range hoods



BBQ range hoods

- Made in Italy
- High powered motor(s)
- Beautifully made
- Easy installation
- Top or rear ducted
- S/S baffle filters
- Full 7 year warranty



Leemac

The best choice in range hoods

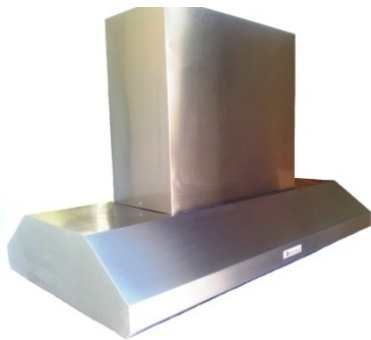


CH 8P 900MM



Finish: Stainless Steel
Motor: 1
Airflow: 1150 M3 phr
Lights: LED X 2
Filters: S/S Baffle x 3
Duct size : 150 mm
Telescopic duct cover
1210mm max.

BH05 ISLAND HOOD



Finish: Stainless Steel
Motor: 2
Airflow: 2 x 1150 M3 phr
Lights: Halogen x 4
Filters: S/S Baffle x 4
Duct size: 2 x 150 mm
Dimensions: 1217 x 700mm
Max height: 1190mm

Leemac recommend licensed tradespeople to install this hood.
It must be securely built into roof rafters and ducted to the atmosphere without a reduction in air volume.

Leemac

The best choice in range hoods



BH01-2 - 914mm



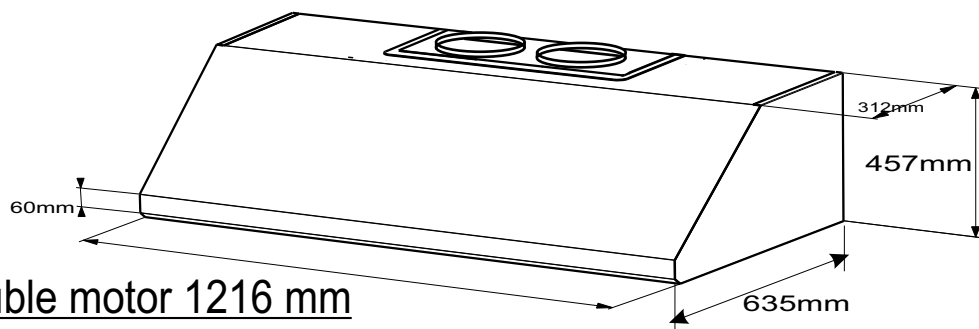
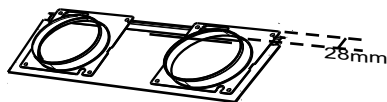
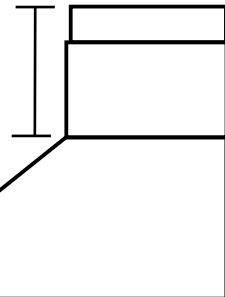
Finish: 304 Stainless Steel
Motor: 1
Airflow: 1150 M3 phr
Lights: Halogen x 3
Filters: S/S Baffle x 3
Duct size: 150 mm

BH02-2 - 1216mm



Finish: 304 Stainless Steel
Motor: 2
Airflow: 2 x 1150 M3 phr
Lights: Halogen x 4
Filters: S/S Baffle x 4
Duct size: 2 x 150 mm

Max 900mm
OPTIONAL
telescopic
duct cover



BH02-2 Double motor 1216 mm
BH01-2 Single motor 914 mm

Leemac

The best choice in range hoods



Powerful, extremely reliable, purpose built BBQ range hoods. Fabricated in Italy with German built motors, these models offer great performance at a value packed price.

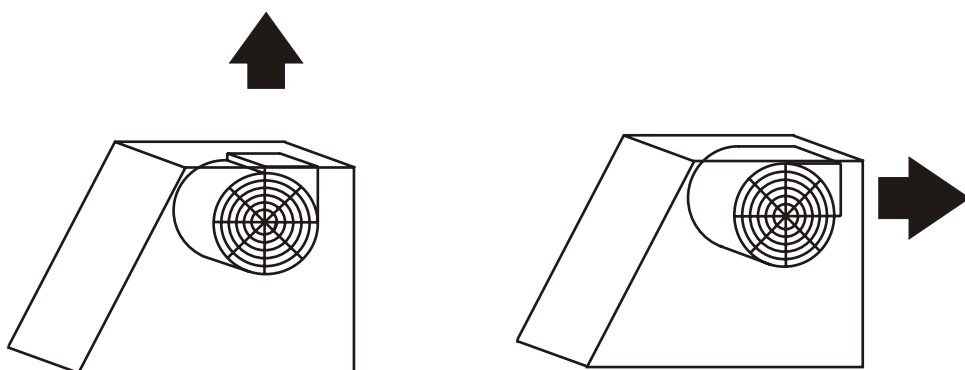
OPTIONAL EXTRAS:

Telescopic flue cover. Covers the ducting when the unit is ducted through the roof. 2 pieces, extending from 300mm up to 900mm.

Ducting kits. Complete ducting kits for each motor. Specify metal or tile roof, or back wall duct.

SS Extension wall bracket. Extends the hood 150mm off the wall to suit deep benches or very large BBQ's.

The BH01 and BH02 models feature motor(s) that are able to be turned 90' to face the back wall. This enables efficient exhausting with a smaller footprint.



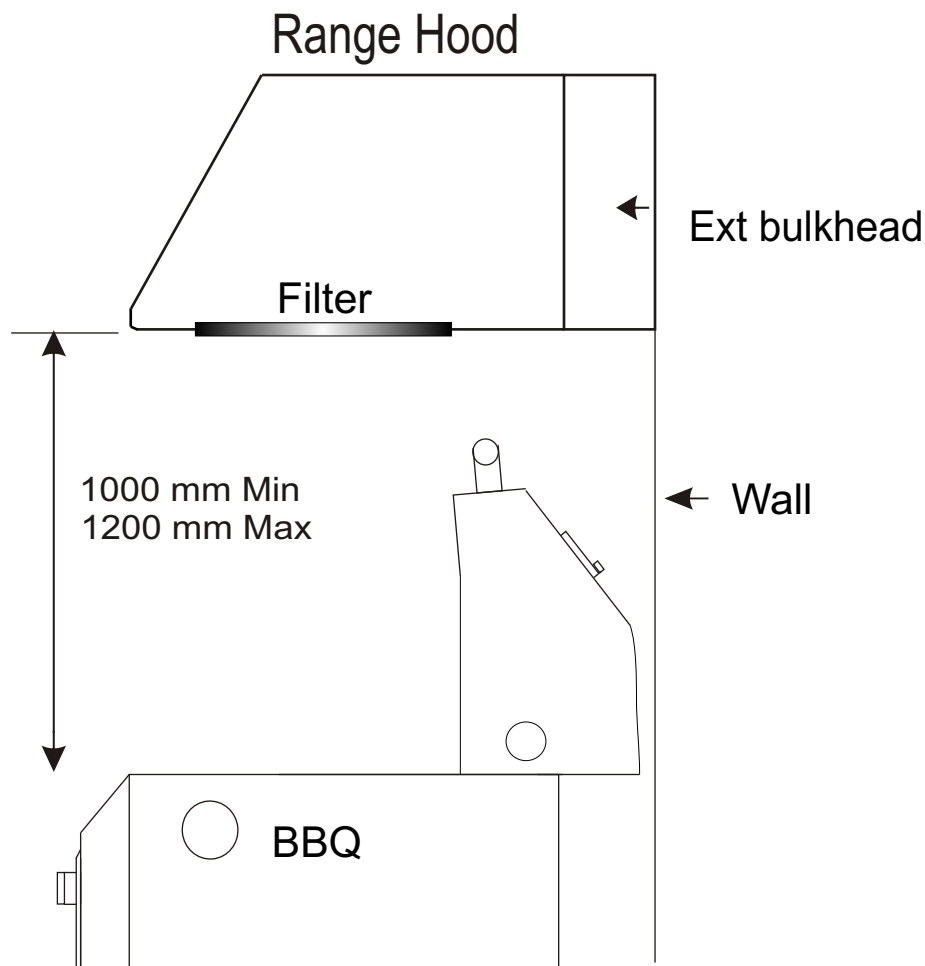
Leemac

The best choice in range hoods



BBQ Rangehood positioning.

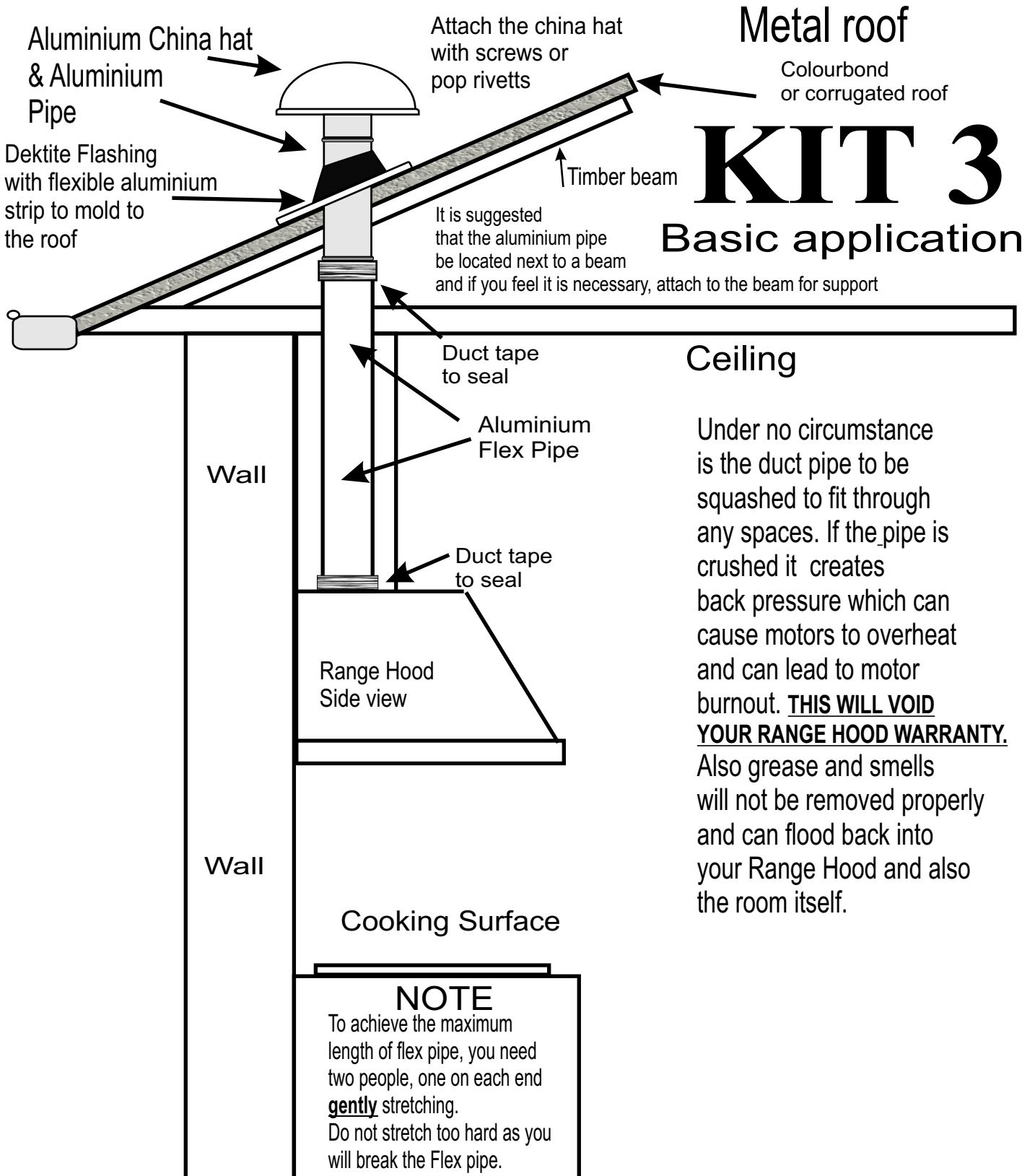
If your BBQ has a very large lid, or is inbuilt into a deep bench, you may have to mount your rangehood on a bulkhead off the wall. Ideally the rangehood filters should be directly above the opened BBQ lid, and between 1000 to 1200 mm above the BBQ grill or hotplate.



Please contact Leemac directly if you have any questions or concerns.
Leemac Appliances, 02 9674 9955, order@leemac.com.au
www.leemac.com.au

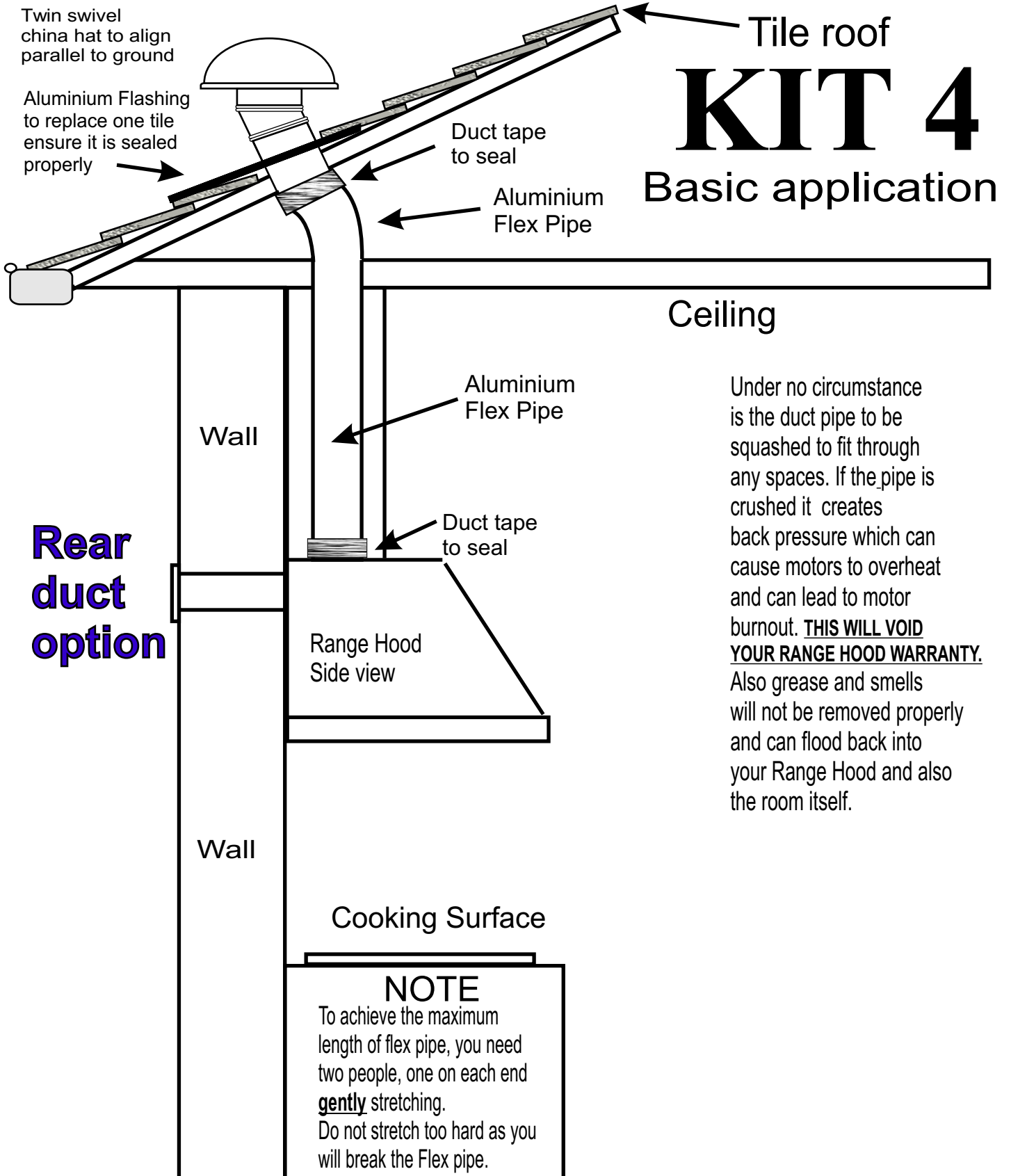
Leemac

The best choice in range hoods



Leemac

The best choice in range hoods



Leemac

The best choice in range hoods



LEEMAC APPLIANCES

28/14 Stanton Rd, Seven Hills 2147

02 9674-9955 order@leemac.com.au

www.leemac.com.au

ABN 55 388 906 549