



TUCKER
BARBECUES

BARBECUE DIMENSIONS & CLEARANCES TO COMBUSTIBLE MATERIALS FOR

Horizon 316 Marine Grade Stainless Steel Barbecue

Tucker Horizon BBQ's are made for Outdoor Use Only!

Please Note: Dimensions to be used as a guide only.

All Customers **MUST** refer to the user manual supplied with the product for detailed installation instructions.

Please allow sufficient clearance to combustibles.

Please do not block any airways or vents.

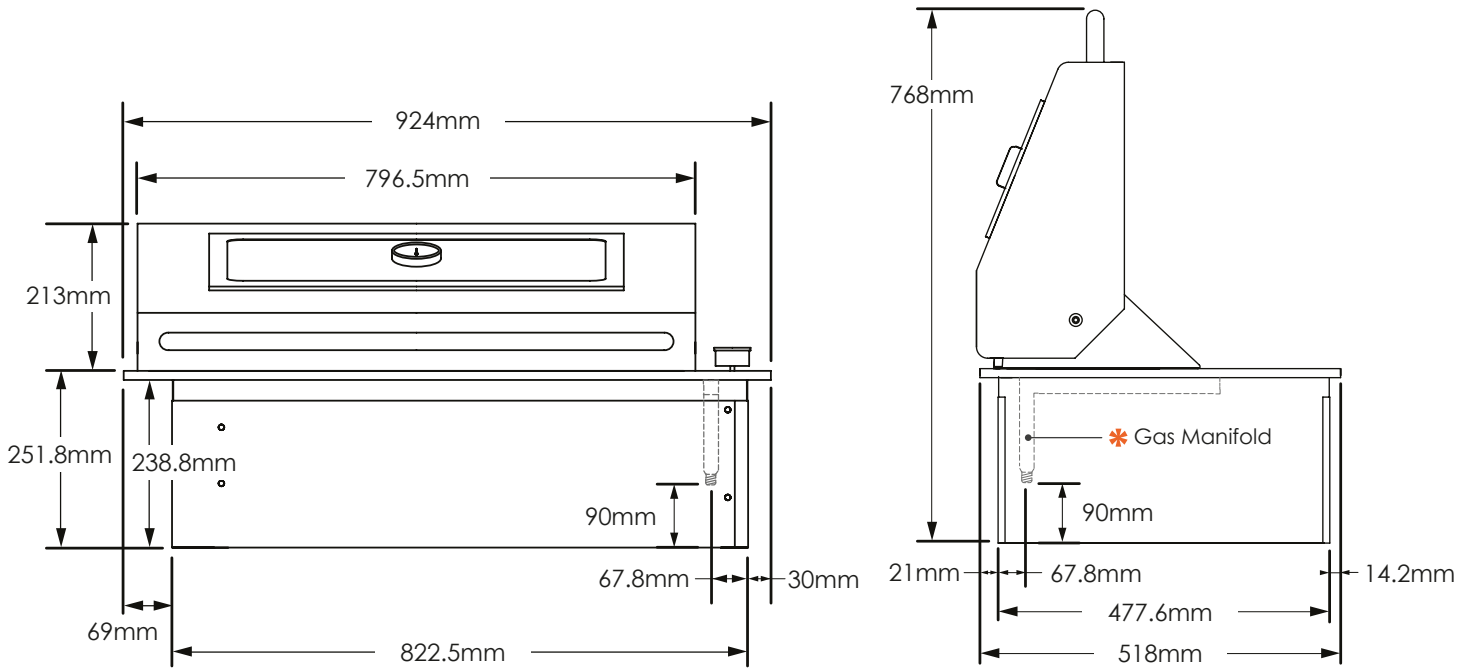
Sizes correct at time of printing.

Measurements are subject to change.

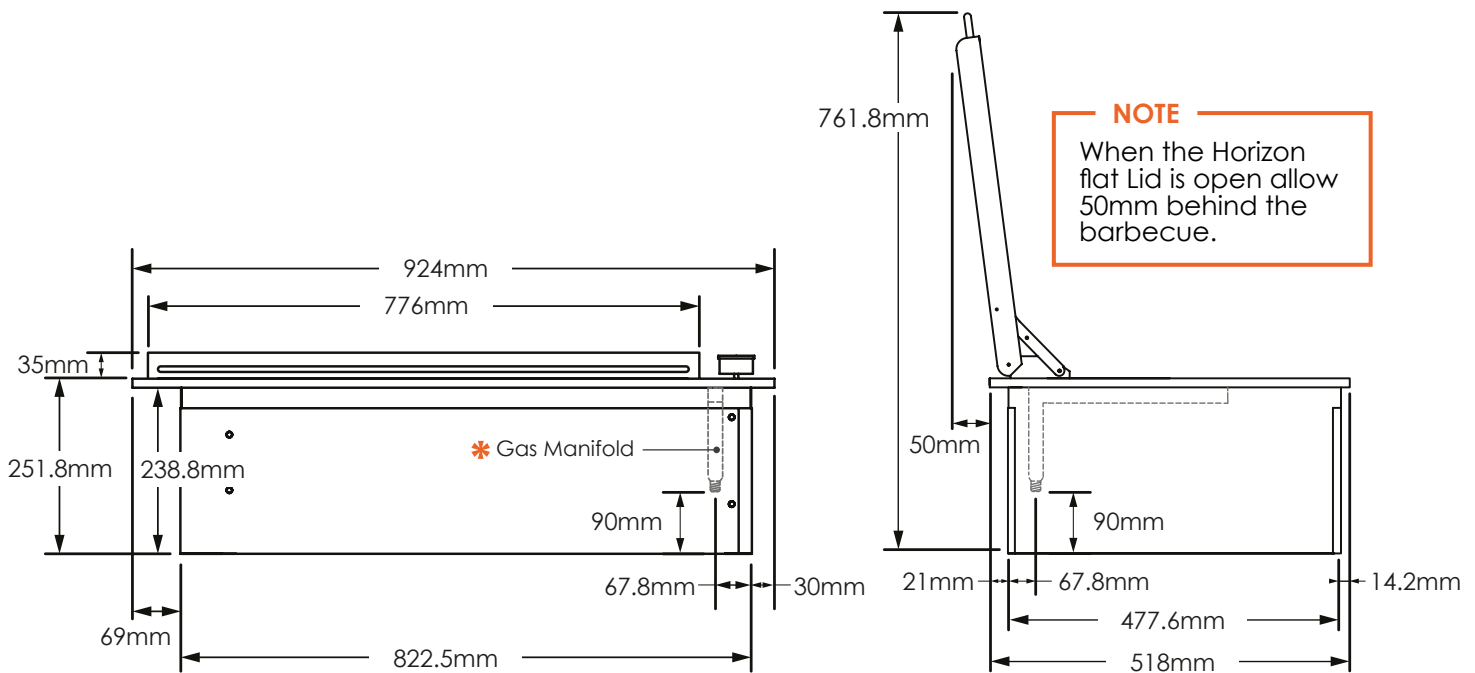
Tucker BBQs can not be held liable for changes to product sizes/ dimensions due to continual product upgrades.

It is recommended you purchase your product prior to starting any building work involved with the installation of the product to make sure the sizes are correct.

HORIZON WITH ROASTING HOOD DIMENSIONS



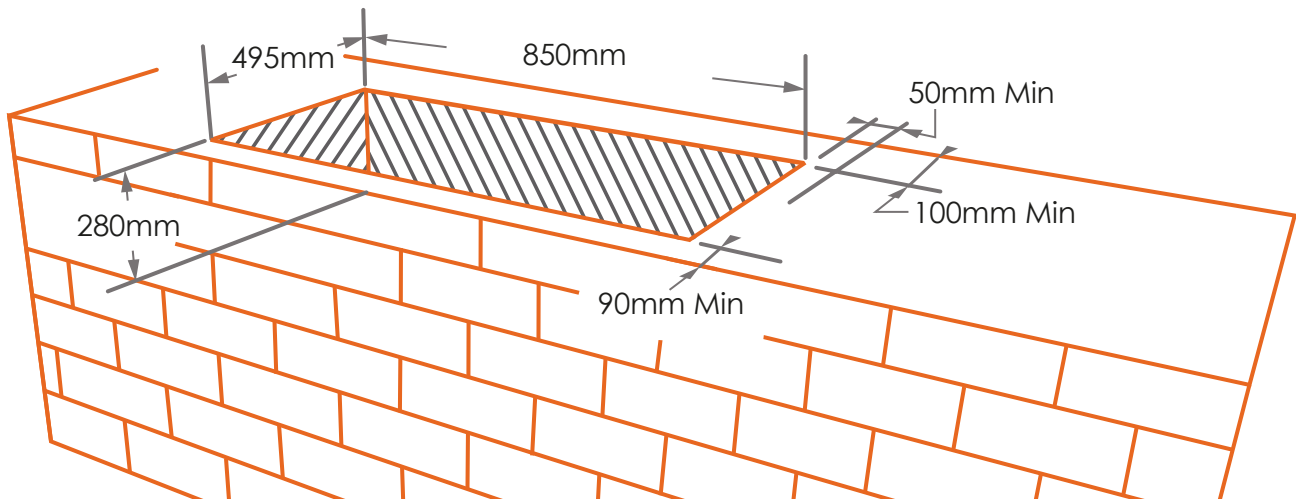
HORIZON WITH FLAT LID DIMENSIONS



HORIZON BUILT-IN BBQ CUT-OUT DIMENSIONS

For Non-Combustible Material surround

The cut out measurement required for the installation of the Horizon BBQ into a benchtop is below:



* Manifold Location on BBQ

The manifold is factory fitted at the back on the right-hand side. Manifold diameter is 20mm square tube. The distance from the BBQ's manifold inlet connection point to the base of the BBQ body 90mm.

The roasting hood is flush with the back of the BBQ when open. The flat lid is 35mm high when shut and 510mm high when open.

NOTE

The BBQ must be installed in such a way so that the gas cylinder storage area or the gas supply bayonet connection point have permanent separation from the BBQ body i.e. A fixed panel beneath the BBQ that totally separates the BBQ from the gas supply area. This is a requirement designed to reduce the possibility of a fire arising from a gas leak from either the gas supply or the BBQ.

The gas cylinder or the gas supply bayonet point if housed inside a cupboard or similar like area, must have a minimum of 200 square centimetres of fresh air ventilation at the top of the storage cupboard and also at the base of the storage cupboard.

The Horizon BBQ also requires 200 square centimetres of ventilation at the base of the BBQ for fresh air to enter into the firebox of the BBQ.

A clearance of 50mm below the base of the BBQ and the top of any combustible cupboard or separation panel is required.

BBQ Ventilation Requirements

Do not block any air vents or openings in the body of the BBQ.

Allow fresh air to circulate into the bottom of the BBQ.

A Minimum 200 square centimetres of ventilation is required below the BBQ.

Clearances Surrounding The BBQ

Clearances surrounding the BBQ to combustible materials are as follows:

Minimum Top Clearance - Allow 800mm from the cooking surface.

Minimum Side and Base Clearances - Allow 50mm clearance from either side and the base of the BBQ.

Minimum Rear Clearance - Allow 100mm clearance from the back of the BBQ and the rear wall.

For alternative types of installation, contact your nearest dealer.