



TUCKER
BARBECUES

BARBECUE DIMENSIONS

Horizon 316 Marine Grade Stainless Steel Built-in

Tucker Horizon BBQ is made for Outdoor Use Only!

Please Note: Dimensions to be used as a guide only.
All Customers **MUST** refer to the user manual supplied
with the product for detailed installation instructions.

Please allow sufficient clearance to combustibles.

Please do not block any airways or vents.

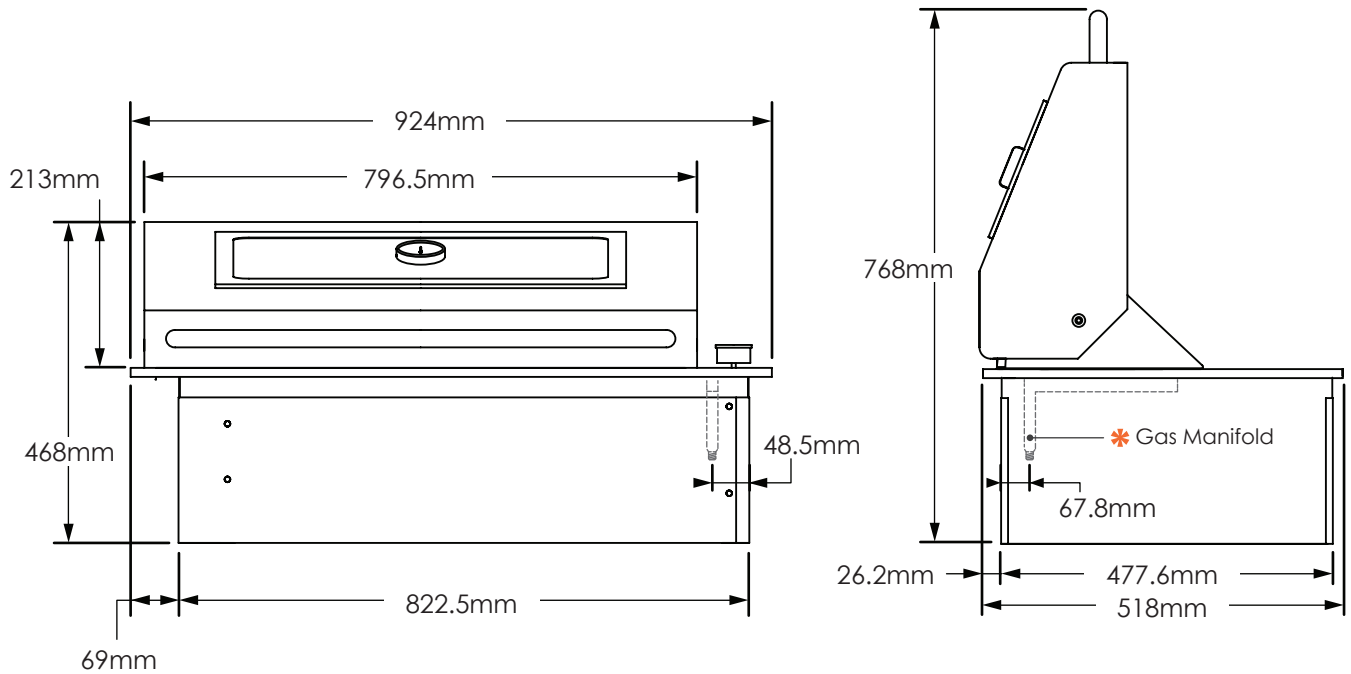
Sizes correct at time of printing.

Measurements are subject to change.

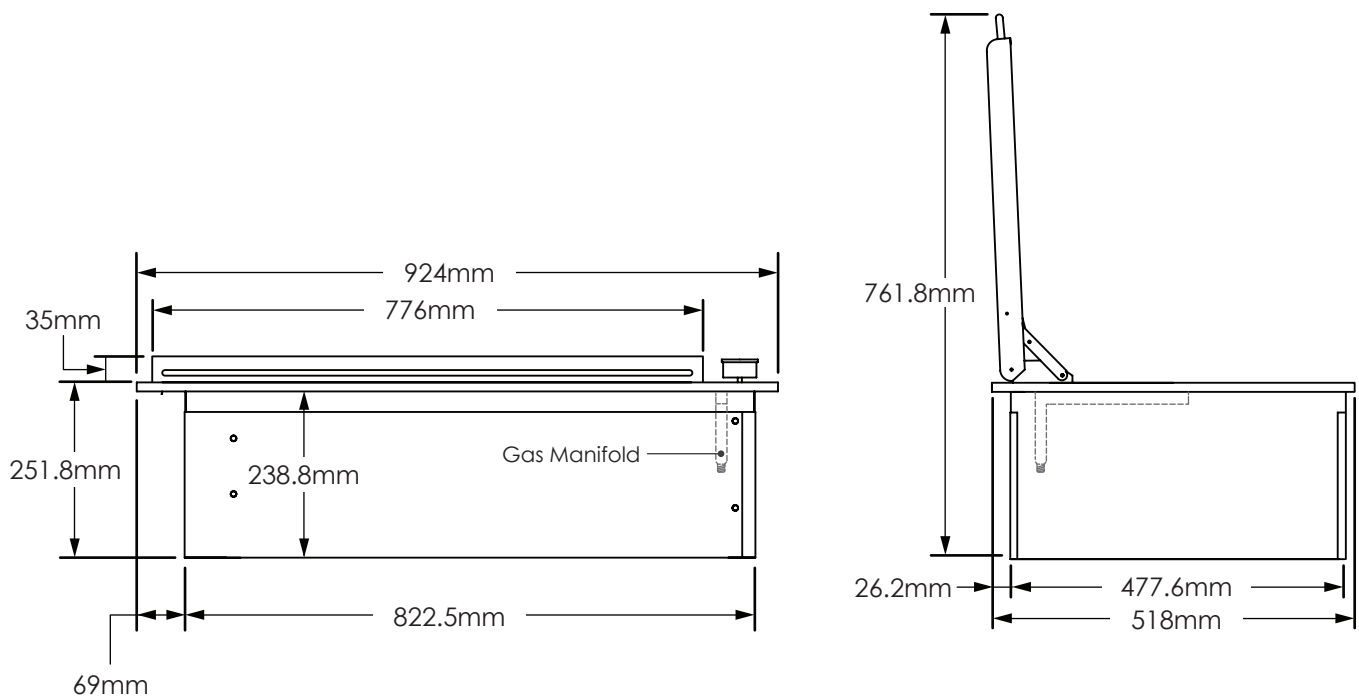
Tucker BBQs can not be held liable for changes to
product sizes/ dimensions due to continual product
upgrades.

It is recommended you purchase your product
prior to starting any building work involved with the
installation of the product to make sure the sizes are
correct.

Horizon with Roasting Hood Dimensions

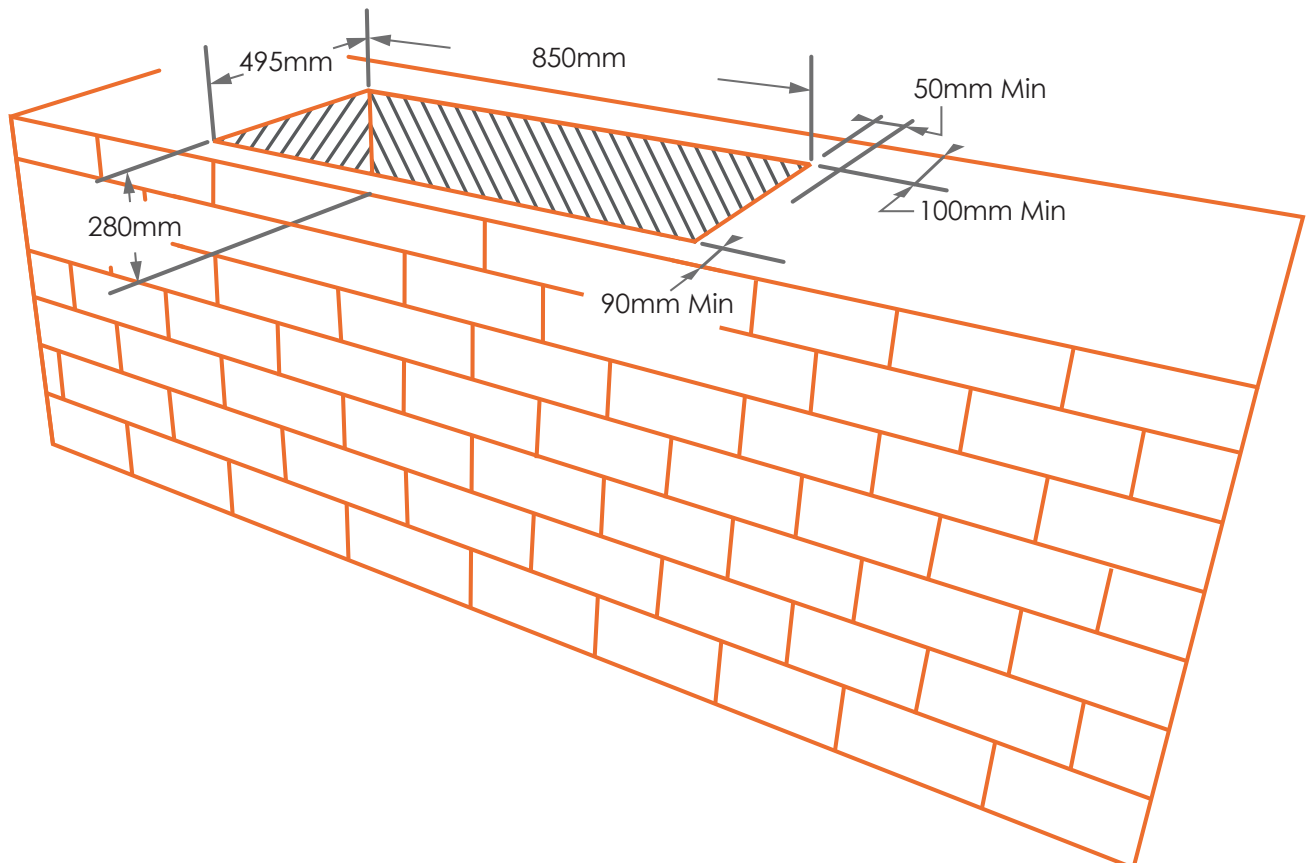


Horizon with Flat Lid Dimensions



Horizon Built-in BBQ Cut-out Dimensions Required when Built into Brickwork

Non-Combustible Material surround



* Manifold Location on BBQ

The manifold is factory fitted at the back on the right-hand side. Manifold diameter is 20mm square tube.

The roasting hood is flush with the back of the BBQ when open. The flat lid is 35mm high when shut and 510mm high when open.

NOTE

Do Not place gas cylinder underneath the barbecue, keep required clearance and ensure there is 'permanent separation', i.e. no line of sight between the gas cylinder and combustions area. If the gas cylinder is enclosed, ensure adequate high and low ventilation (200 square cm each) as required by AS/NZS 5601.1

Clearances Surrounding BBQ

The minimum clearances from a Horizon BBQ to combustible material surrounding the BBQ are as follows:

Above the BBQ: 800mm
From the sides: 50mm
From the rear: 100mm

IMPORTANT:

Allow fresh air to circulate into BBQ from underneath BBQ. Minimum air ventilation required underneath is 200 square centimeters.

For alternative types of installation, contact your nearest dealer.