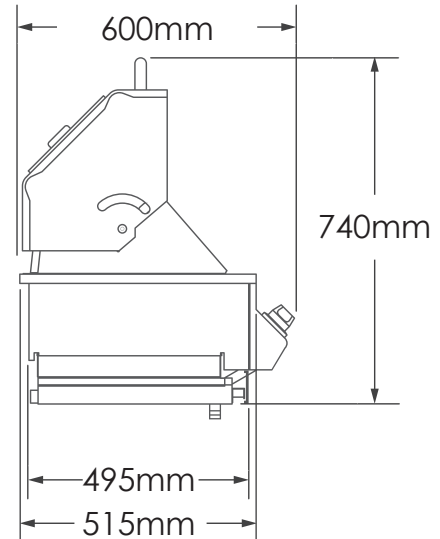
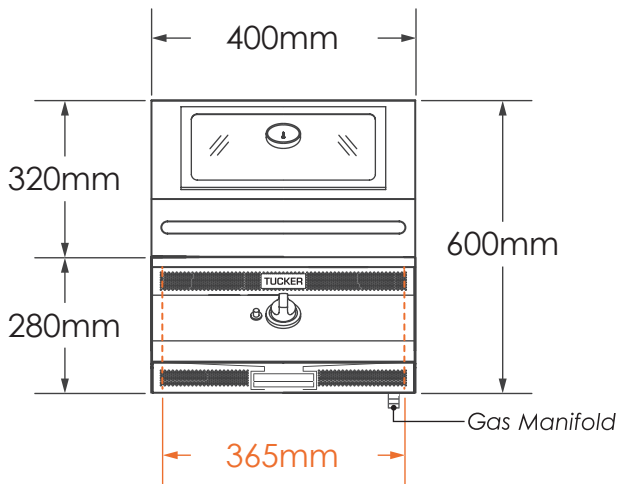




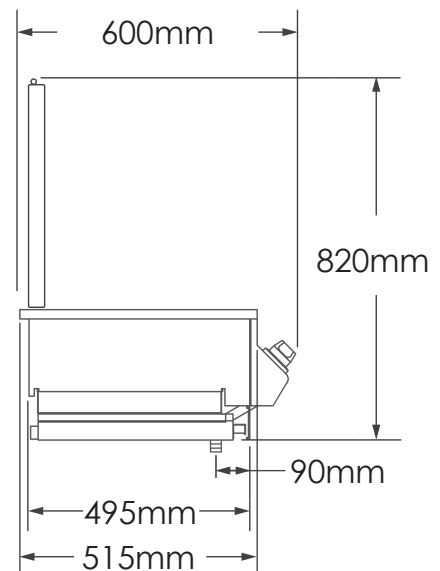
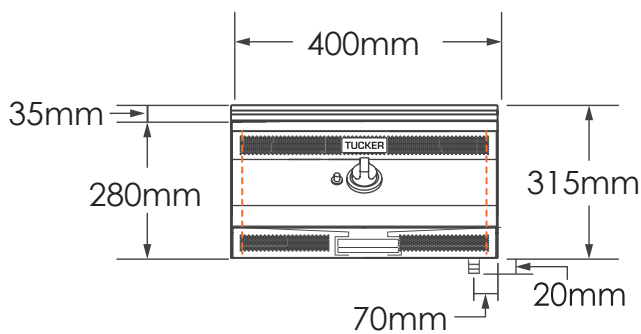
TUCKER
BARBECUES

GTRSS BARBECUE DIMENSIONS

GTRSS DIMENSIONS WITH ROASTING HOOD



GTRSS DIMENSIONS WITH FLAT LID



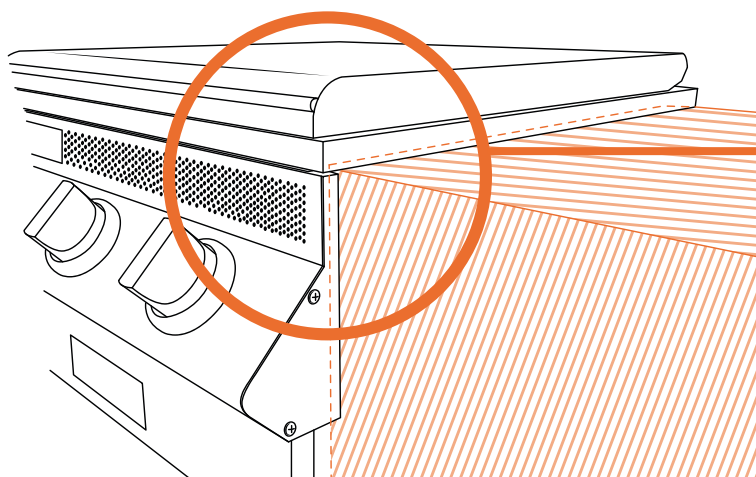
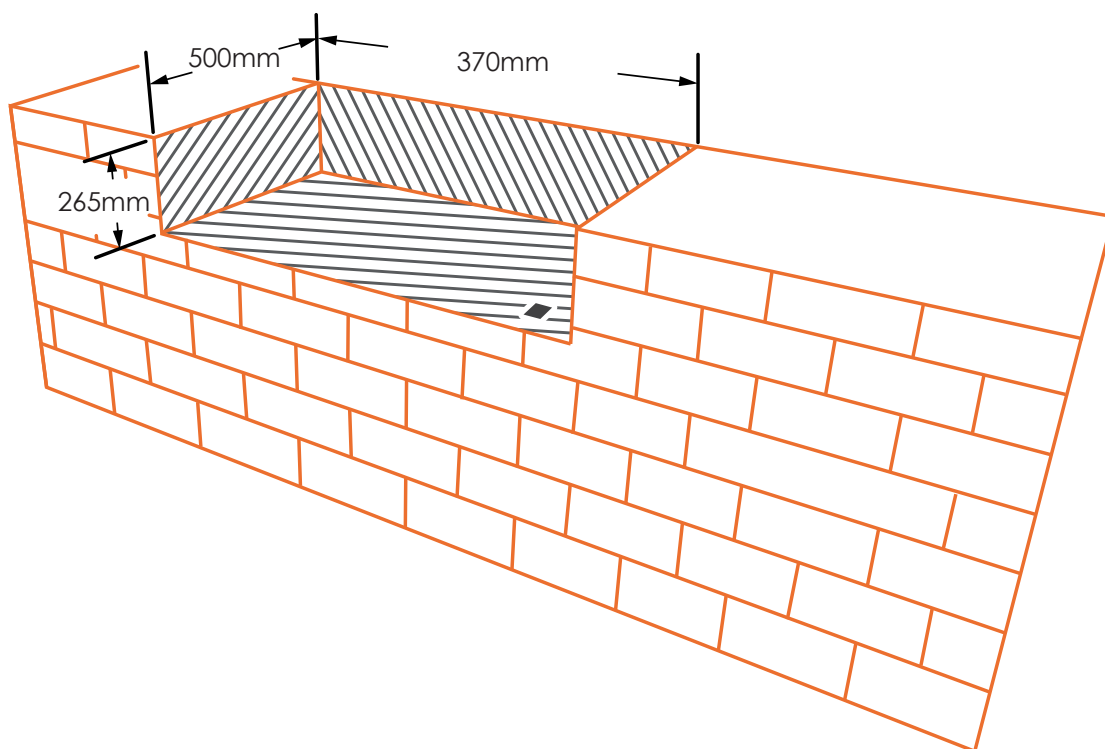
Minimum clearance to combustible material surrounding BBQ body below the cooking surface is as follows:

- 200mm to the side walls.
- 200mm to the rear wall.
- 800mm above the cooking surface.

Minimum clearance to combustible wall surfaces above the BBQ body cooking surface is as follows:

- 100mm to the side walls.
- 100mm to the rear wall.
- 800mm above the cooking surface.

GTRSS CUT-OUT DIMENSIONS FOR NON-COMBUSTIBLE MATERIAL SURROUND



The GTR BBQ Series are designed with a 20mm lip around the top sides and rear, in which the BBQ can be suspended onto the benchtop.

THE BENCHTOP MATERIAL MUST BE NON-COMBUSTIBLE

Tucker GTR BBQs are for outdoor use only

Please Note: Dimensions to be used as a guide only. All Customers MUST refer to the user manual supplied with the product for detailed installation instructions.

Please allow sufficient Clearance to combustibles; Please do not block any airways or vents.

Sizes correct at time of printing. Measurements are subject to change. Tucker Barbecues is not liable for any changes to sizes of BBQs.

Manifold diameter is 20mm square tube. The manifold is factory fitted on the right hand side of the barbecue at the front behind the fascia with a 3/8 SAE thread.