



TUCKER
BARBECUES

2 BURNER FRIAR TUCK BARBECUE CUT-OUT DIMENSIONS

The following Installation diagrams show the minimum cut-out sizes and clearances required for safe installation of the BBQ.

The Friar Tuck BBQ can be optioned with either a Hinged Flat Lid or a Rollback Flat Lid to protect the BBQs cooking surface from the weather when it is not in use.

With a **Hinged Flat Lid** attached to the BBQ the minimum cut-out size in a bench top is, 720mm wide x 640mm deep x 280mm high.

The hinged Lid size is 650mm wide x 650mm deep x 35mm high and it does not require any space behind the BBQ to be opened.

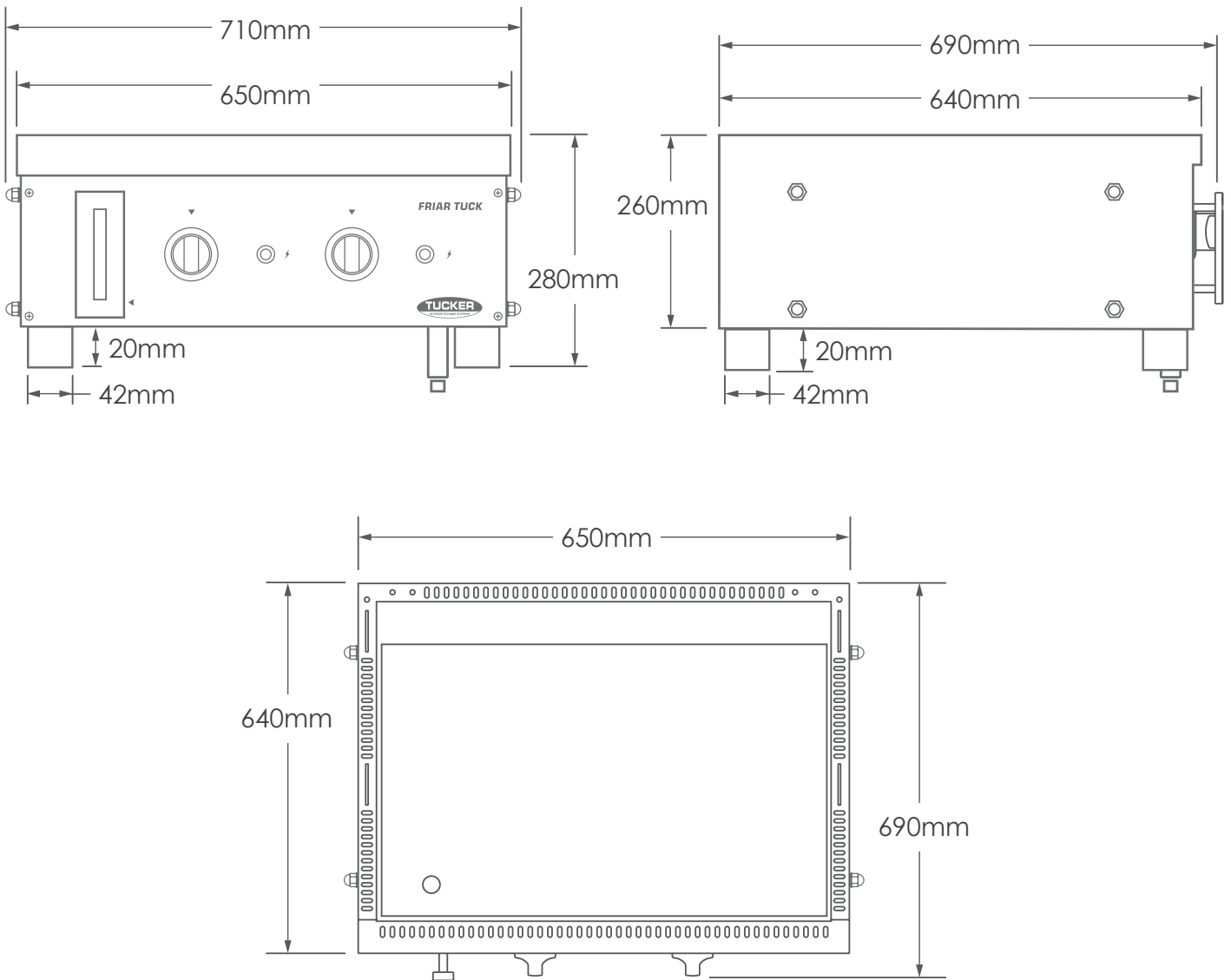
With a **Rollback Flat Lid** attached to the BBQ the minimum cut-out size in a bench top is, 720mm wide x 680mm deep x 280mm high.

The Rollback Lid size is 650mm wide x 720mm deep (this includes a 45mm long Handle) x 30mm high, the Rollback Lid requires 40mm of extra space to be left behind the BBQ for storage of the Lid when it is opened.

CONTENTS

FRIAR TUCK 2 BURNER BBQ DIMENSIONS	3-4
<ul style="list-style-type: none">- BBQ Dimensions- Hinge and Rollback Lid Dimensions	
NON-COMBUSTIBLE MATERIAL SURROUNDS	5-6
<ul style="list-style-type: none">- Installation of a Friar Tuck 2 Burner BBQ Surrounded by Non-Combustible Material.	
COMBUSTIBLE MATERIAL SURROUNDS	7-8
<ul style="list-style-type: none">- Installation of a Friar Tuck 2 Burner BBQ Surrounded by Combustible Material.	
FRIAR TUCK BBQ FIT INTO AN INSULATION JACKET	9-10
<ul style="list-style-type: none">- Installation of a Friar Tuck 2 Burner BBQ with Insulation Jacket fit to the BBQ Surrounded by Combustible Material.	

Friar Tuck 2 Burner BBQ Dimensions



Friar Tuck 2 Burner BBQ Lids Dimensions

Rollback Lid

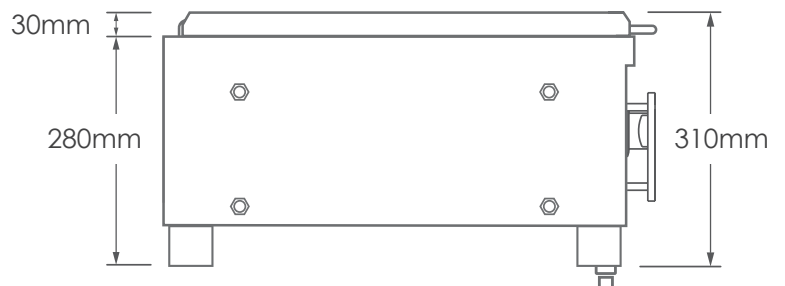
Friar Tuck 2 Burner Rollback Lid Dimensions:

Height (Lid Thickness): 30mm

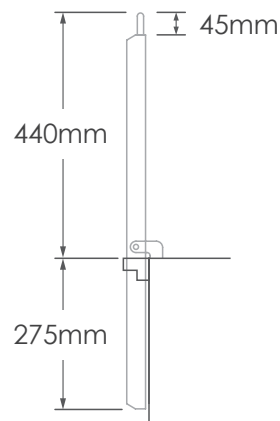
Width: 650mm

Depth: 720mm (With the Handle)

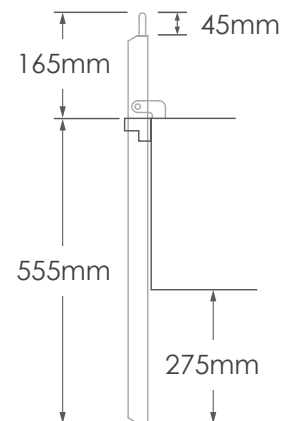
- Height of Lid when closed is 30mm
- Maximum stored Height of the Lid above the cooking surface is 440mm.
- The minimum stored height of the Roll down Lid behind the BBQ is 165mm.
- The maximum stored depth below the base of the BBQ is 275mm.



Maximum stored height of Rollback Lid



Minimum stored height of Rollback Lid



Hinged Lid

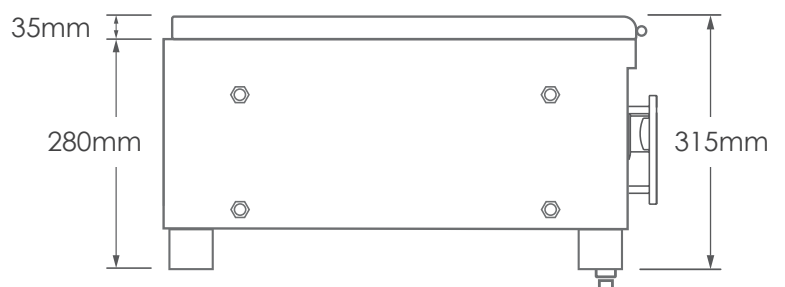
Friar Tuck 2 Burner Hinge Lid Dimensions:

Height (Lid Thickness): 35mm

Width: 650mm

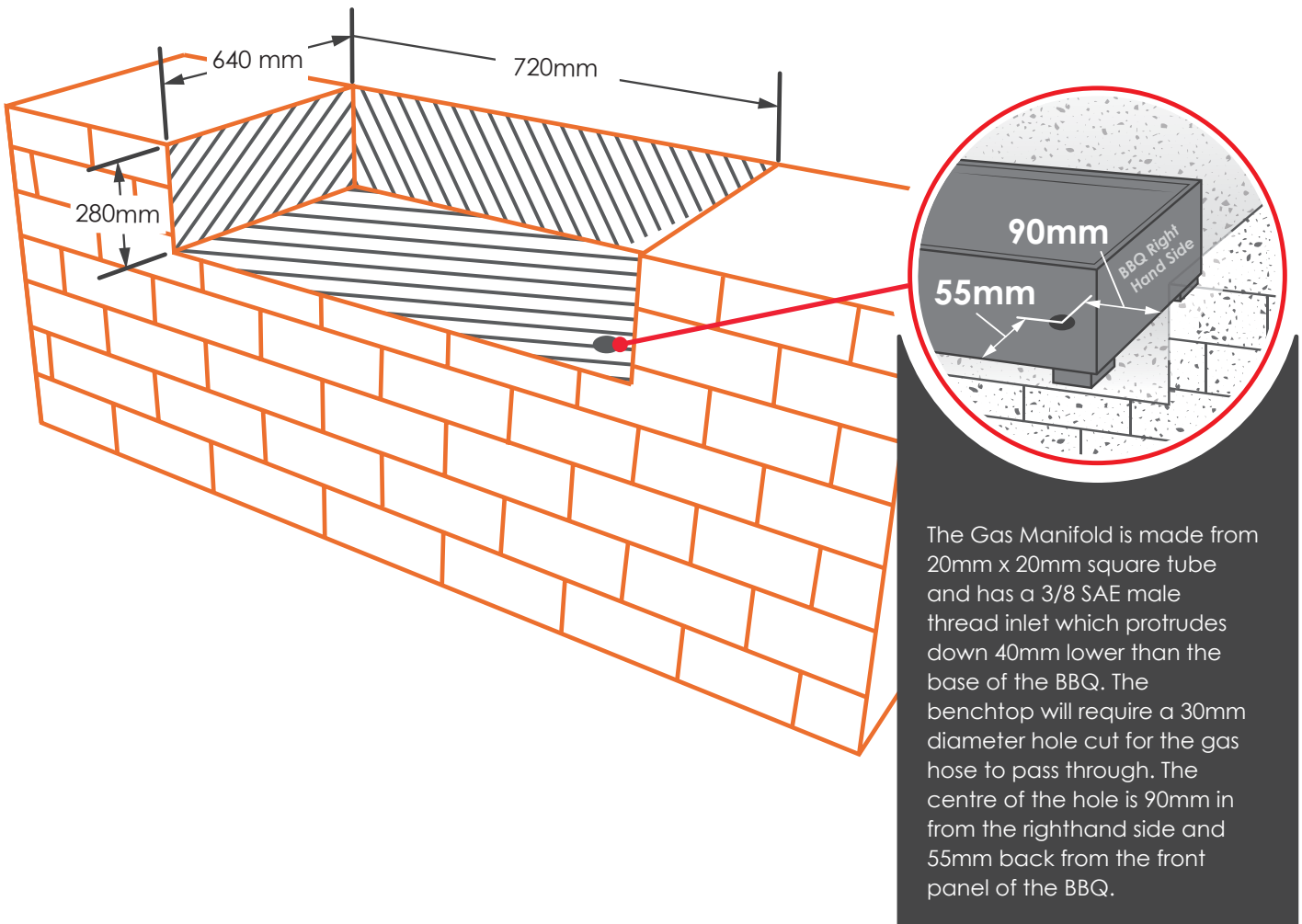
Depth: 650mm

- Height of Lid when closed is 35mm
- Height of lid when open is 540mm



Installation of a Friar Tuck 2 Burner BBQ Surrounded by Non-Combustible Material

The diagram below shows the Minimum Cut-Out size required for installation of a Friar Tuck 2 Burner BBQ into Non-Combustible Material Surrounds i.e brickwork or concrete.



NOTE

The Rollback Lid when opened stores vertically behind the BBQ requiring an extra 40mm cut-out depth in the benchtop to 680mm.

The maximum stored height of the Rollback Lid is 440mm.

The minimum stored height of the Rollback Lid is 165mm.

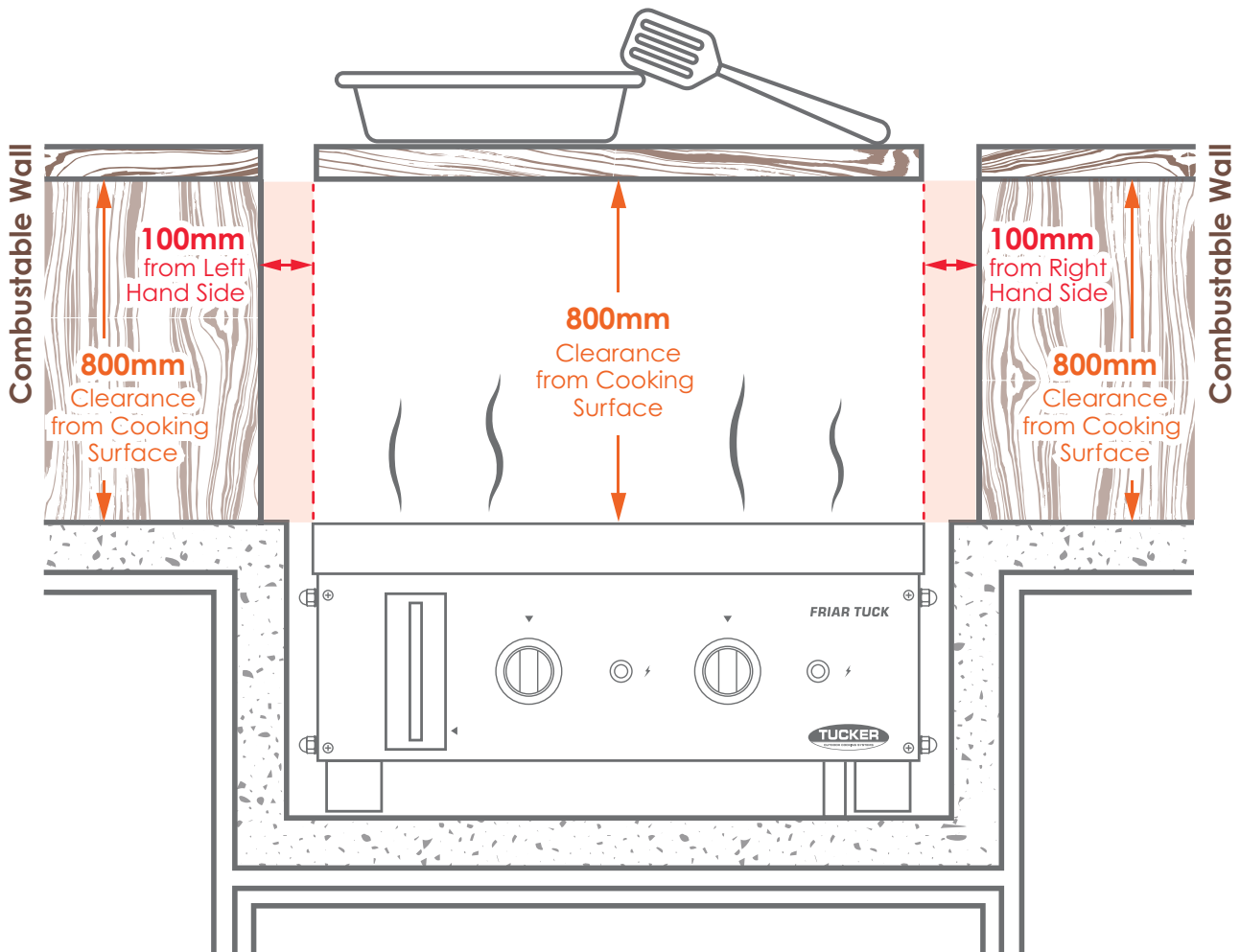
NOTE

If you want to store the Rollback Lid lower than 440mm high, a 670mm long x 40mm deep cut-out is required, directly behind the rear of the BBQ body into the benchtop.

This will allow access for the Lid to penetrate below the base of the benchtop so it can be stored as low as 165mm high when opened.

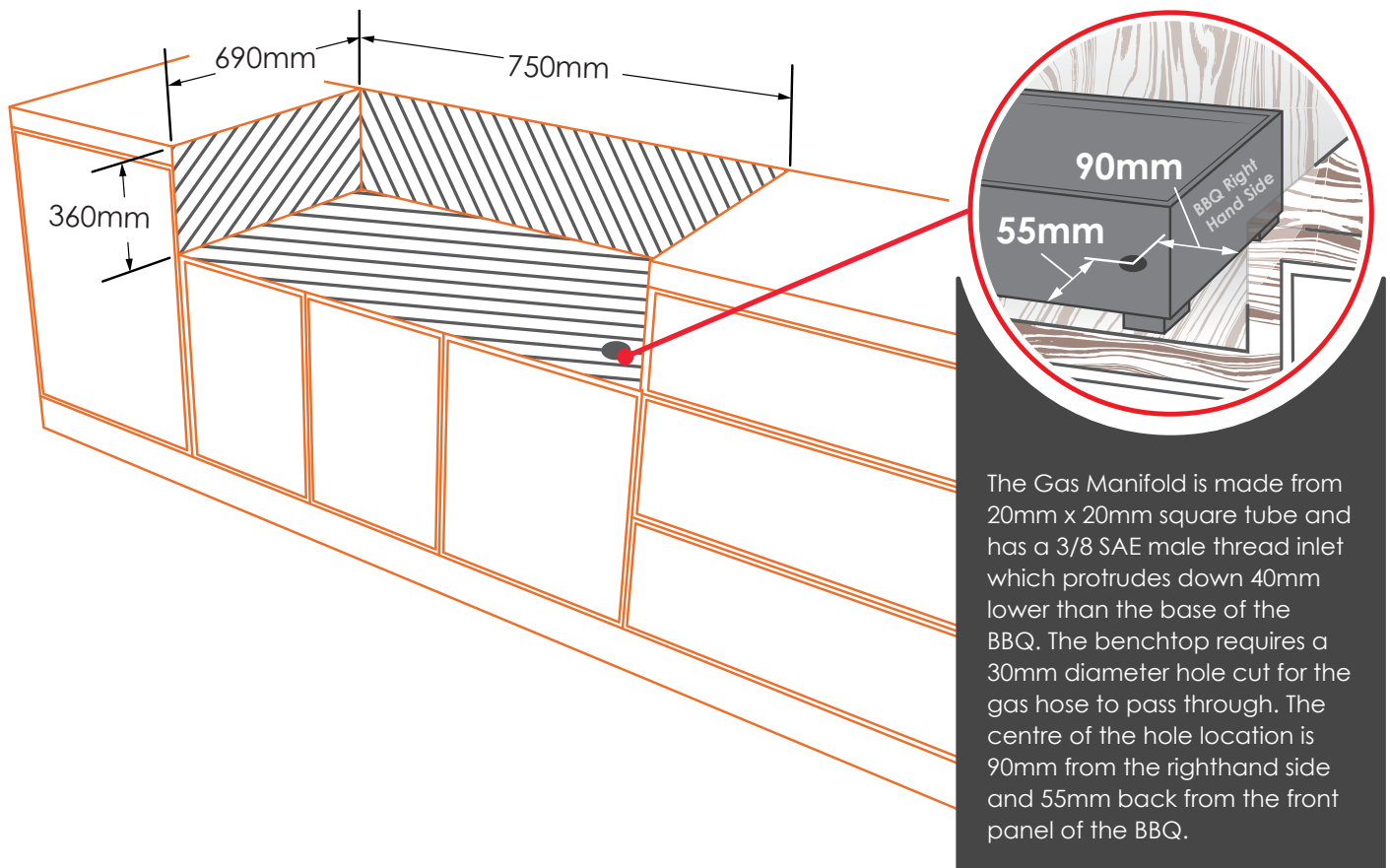
NOTE

All surrounding walls above the BBQ must be non-combustible or be a minimum 100mm from the BBQs cooking surface for a minimum distance of 800mm in height above the cooking surface.



Installation of a Friar Tuck 2 Burner BBQ Surrounded by Combustible Material

This diagram shows the minimum cut-out size required for the installation of a Friar Tuck 2 Burner BBQ surrounded by combustible material.



NOTE

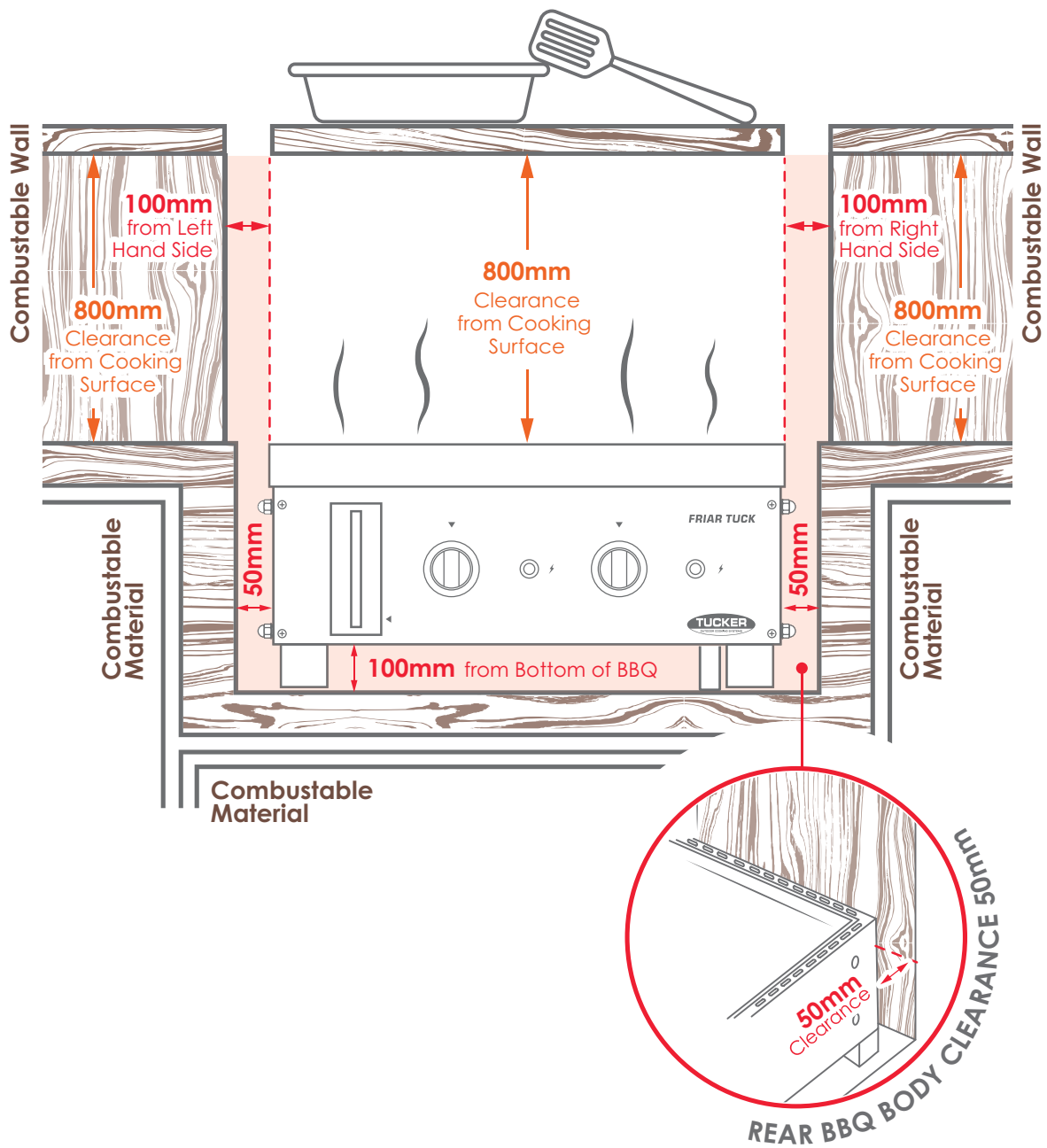
An optional Built-In Leg Kit is available. The leg kit allows 100mm clearance from the base of the BBQ to the surface below.

This makes the Built-In Leg Kit ideal for use with installations where the material below the BBQ is made from combustible materials.

NOTE

The BBQ must be installed with a minimum 50mm clearance to combustible material on all sides and 100mm clearance from the base of the body, a minimum 800mm clearance to any combustible material above the BBQ must also be adhered to.

All surrounding walls above the BBQ must be non-combustible or be a minimum 100mm from the BBQs cooking surface for a minimum distance of 800mm in height above the cooking surface.



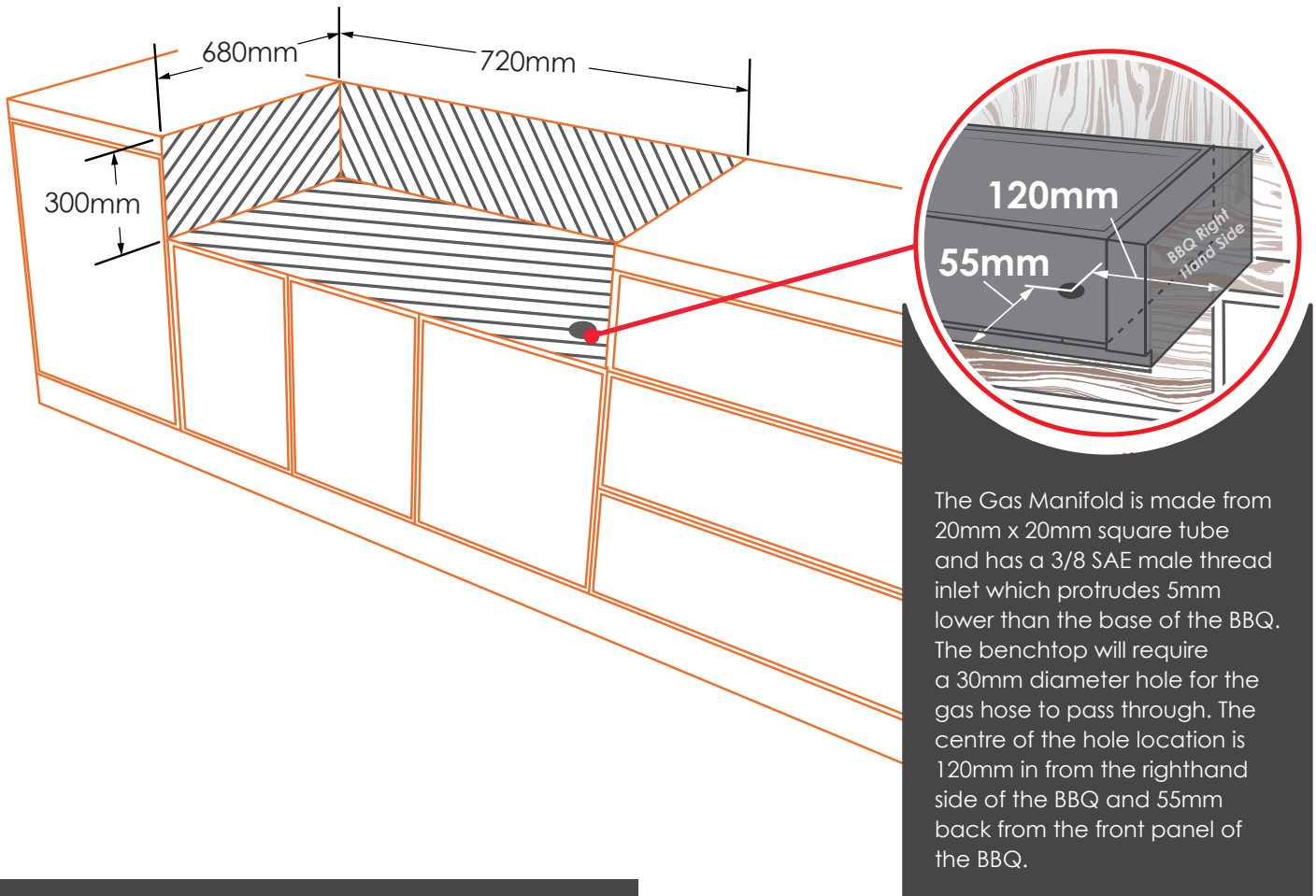
PLEASE NOTE

The minimum clearances to combustible materials surrounding the BBQ Body are below:

- 50mm from all sides of the BBQ.
- 100mm from the base of the BBQ.
- 800mm above the BBQ.

All surrounding walls above the BBQ must be non-combustible or be a minimum 100mm from the BBQs cooking surface for a minimum distance of 800mm in height above the cooking surface.

Installation of a Friar Tuck 2 Burner BBQ with Insulation Jacket fit to the BBQ Surrounded by Combustible Material



NOTE

When the Rollback Lid is attached to the BBQ with an insulation jacket fit, the Rollback lid is used as a heat deflector when the BBQ is in operation.

The Rollback Lid when opened and stored behind the BBQ must sit no higher than 440mm above the BBQ.

The Rollback Lids minimum stored position when open behind the BBQ is 165mm, this will ensure the Lid is always covering the back of the BBQ body.

NOTE

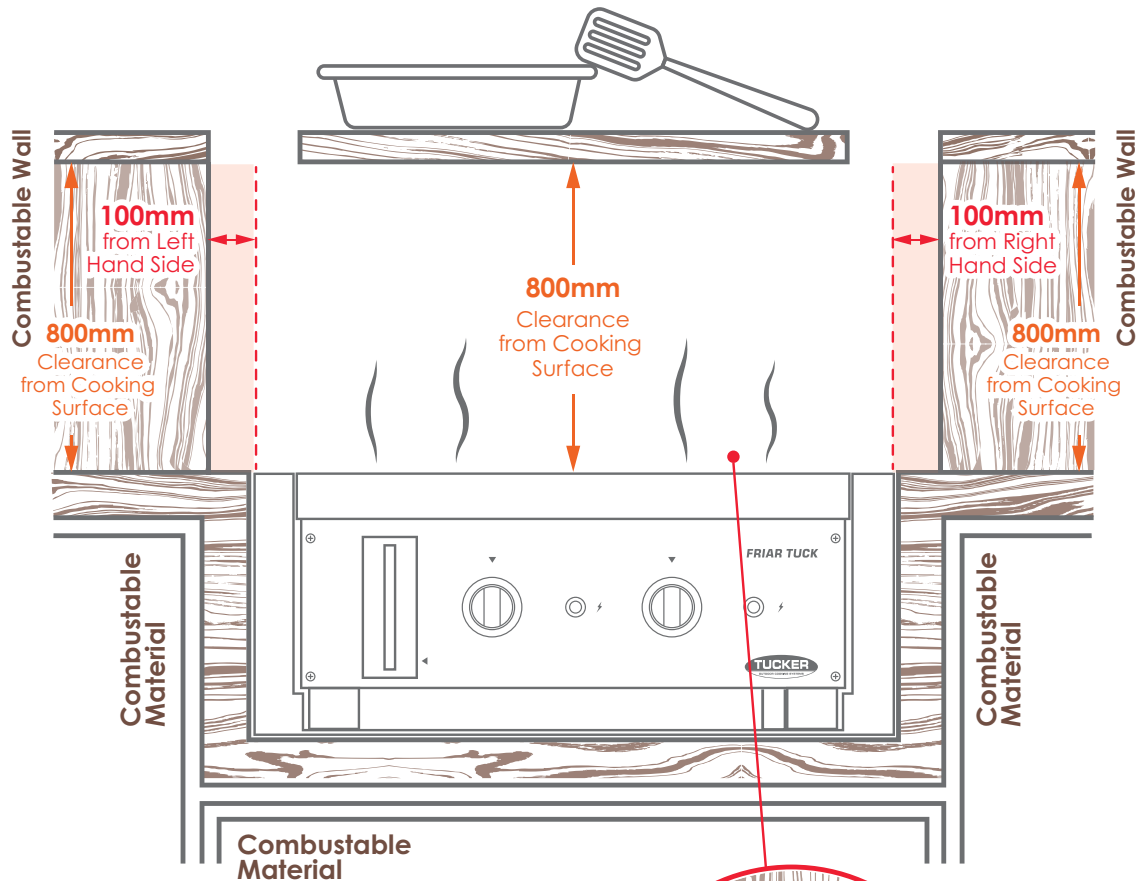
If you want to store the Rollback Lid lower than 440mm high, a 670mm long x 40mm deep cut-out is required directly behind the rear of the BBQ body into the benchtop.

This will allow access for the Lid to penetrate below the base of the benchtop so it can be stored as low as 165mm high when opened.

NOTE

All surrounding walls above the BBQ must be non-combustible or be a minimum 100mm from the BBQs cooking surface for a minimum distance of 800mm in height above the cooking surface.

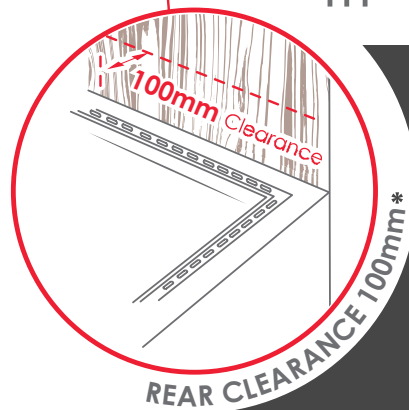
All surrounding walls above the BBQ must be non-combustible or be a minimum 100mm from the BBQ's cooking surface for a minimum distance of 800mm in height above the cooking surface.



NOTE

When installing a Rollback Lid the insulation wool can not be installed behind the BBQ as per the Insulation jacket Instructions as the Lid occupy the space behind the BBQ to store the Lid when opened.

It is important that the Rollback Lids maximum and minimum stored height when opened is adhered to for safe operation.



NOTE

*If the rear wall is combustible above the cooking surface of the BBQ.

NOTE

The external surface temperature of an insulation jacket can get to 100 degrees Celsius. Materials surrounding the BBQ with an Insulation Jacket fitted to it must be able to withstand a constant temperature of 100 degrees celsius for a continual period of up to 24 hours.

PLEASE NOTE

- Refer to the user manual supplied with the product for more detailed installation instructions.
- Please allow sufficient Clearance to combustibles; Please **do not** block any airways or vents.
- Sizes correct at time of printing. Measurements are subject to change.
- Tucker Barbecues is not liable for any changes to sizes of BBQs.
- Tucker Friar Tuck BBQs are approved for outdoor use only.
- **Do not** use the BBQ on marine craft.