



**TUCKER**  
BARBECUES

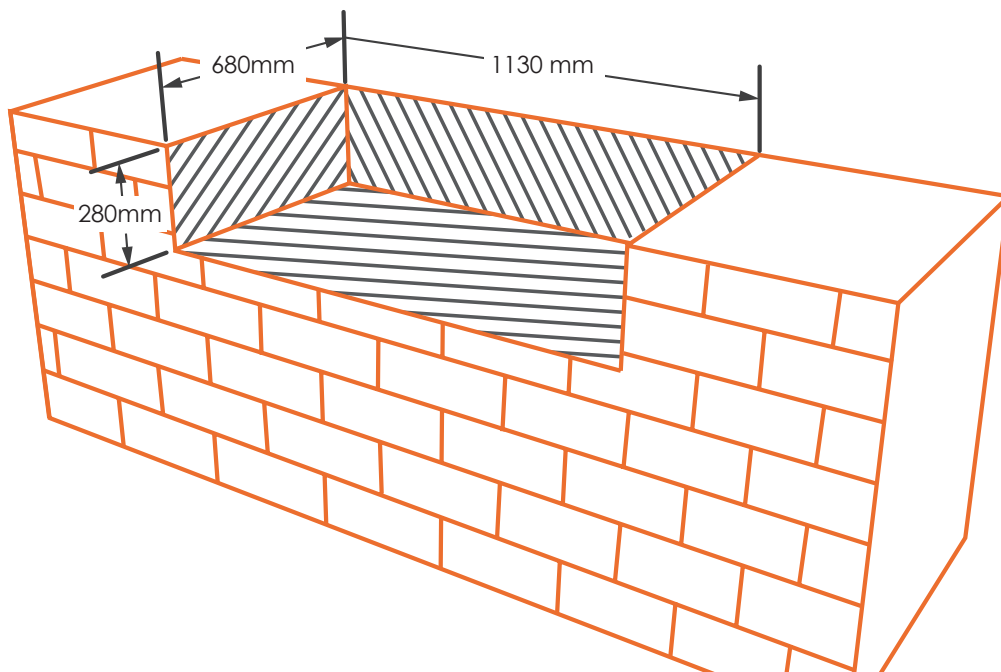
# FRIAR TUCK CUT-OUT DIMENSIONS

**Four Burner Built-in Friar Tuck BBQ**

### Dimensions of the Cut-Out Size Required for the Installation of a 4 Burner Friar Tuck BBQ into a Non-Combustible Material Surround.

#### IMPORTANT

The dimensions below are the minimum sizes required to be cut out of any brick, concrete or Non-Combustible material for the purpose of building the BBQ into an outdoor kitchen.



#### NOTE

The top edge of the BBQ Body when installed to these cut-out dimensions should be flush with the benchtops on either side of the BBQ when installed.

#### NOTE

**Minimum clearance to combustible wall surfaces above the BBQ body cooking surface is as follows:**

- 100mm to the side walls.
- 100mm to the rear wall.
- 800mm above the cooking surface.

The Friar Tuck can be optioned with two different style Lids to protect the cooking surface from weather when not in use.

1. Hinged Lid, Size 1050mm Wide x 650mm Deep x 35mm High.
2. Rollback Lid, Size 1050mm Wide x 720mm Deep (Includes a 40mm handle) x 30mm High.

### Tucker Friar Tuck BBQs are for outdoor use only

#### NOTE

The Rollback Lid can be adjusted so that its stored height behind the BBQ when the BBQ is in use, can sit anywhere from just above the BBQ – 640mm higher than the top of the BBQ.

This feature offers you the ability to create an adjustable height splashback with the Lid.

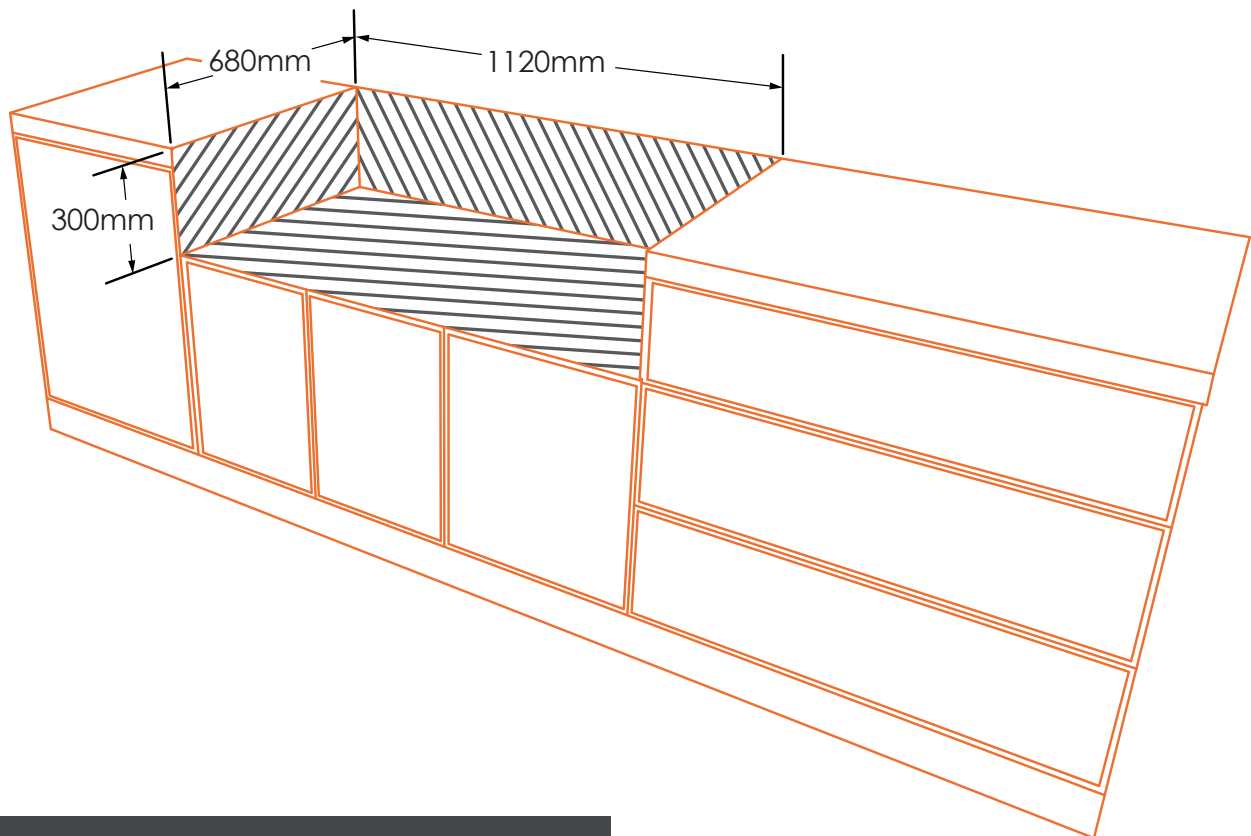
#### NOTE

If you want to store the Rollback Flat Lid lower any than 440mm high then you will need to create a cavity cut-out below the BBQ, Size 40mm x 1070mm, directly behind the BBQ to allow the Lid to drop down through below the base height of the BBQ.

### Dimensions of the Cut-Out Size Required for the Installation of a 4 Burner Friar Tuck BBQ into a Combustible Material Surround.

**IMPORTANT**

Dimensions Only For Friar Tuck With Insulation Jacket



**NOTE**

Minimum clearance to combustible wall surfaces above the BBQ body cooking surface is as follows:

- 100mm to the side walls.
- 100mm to the rear wall.
- 800mm above the cooking surface.

### Tucker Friar Tuck BBQs are for outdoor use only

**Please Note:** Dimensions to be used as a guide only. All Customers MUST refer to the user manual supplied with the product for detailed installation instructions.

Please allow sufficient Clearance to combustibles; Please do not block any airways or vents.

Sizes correct at time of printing. Measurements are subject to change.

Tucker Barbecues is not liable for any changes to sizes of BBQs.