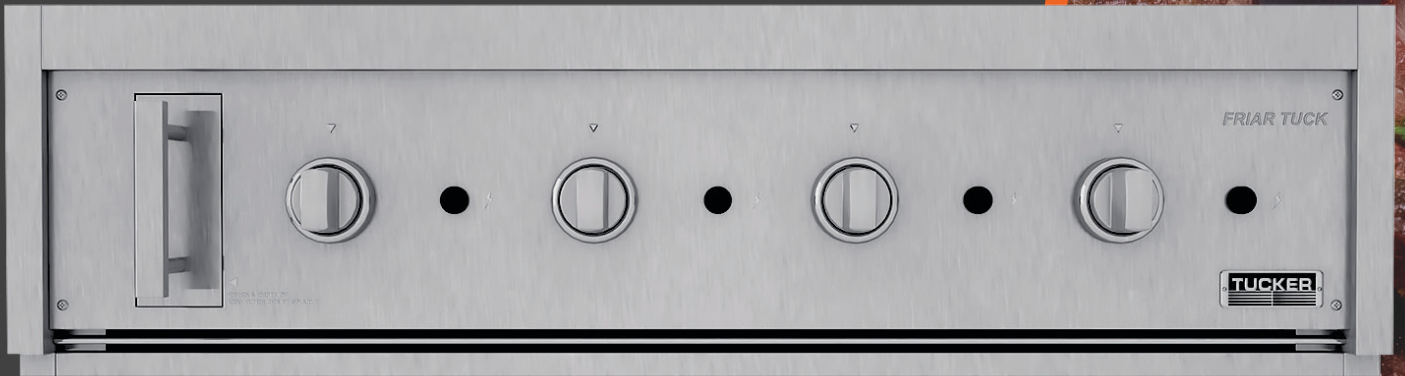




TUCKER
BARBECUES

ASSEMBLY AND INSTALLATION INSTRUCTIONS

FRIAR TUCK BARBECUE INSULATION JACKET



**IMPORTANT – PLEASE READ ALL INSTRUCTIONS
BEFORE YOU ASSEMBLE, INSTALL OR
OPERATE THIS APPLIANCE.**

V02.02.2023



IMPORTANT SAFETY INSTRUCTIONS 2

INSULATION JACKET ASSEMBLY INSTRUCTIONS 3

- INSULATION JACKET PARTS
- FRIAR TUCK INSULATION JACKET ASSEMBLY

INSTALLATION INSTRUCTIONS & WARNINGS 11

- INSTALLATION INSTRUCTIONS
- INSTALLATION WARNINGS
- DIAGRAMMATICAL REPRESENTATIONS OF OUTDOOR AREAS

DIMENSIONS 13

- FRIAR TUCK INSULATION JACKET DIMENSIONS
- FRIAR TUCK INSULATION JACKET BUILT-IN CUT-OUT DIMENSIONS

WARRANTY 15

- WARRANTY PERIOD
- NOT COVERED
- CONDITIONS OF THIS WARRANTY

- Tucker Barbecues are approved for outdoor use only.
- Remove all plastic protection film from stainless steel components before assembly.
- Keep this manual for future reference.
- Read all instructions carefully before assembly and usage of barbecue.
- Clean your barbecue regularly; check the grease trays for excess grease build up as damage by grease or fat fire is not covered by warranty.
- Always turn off the gas supply when you finish barbecuing.
- A canvas cover for this barbecue will extend its life and ensure trouble free operation.
- For installation of this barbecue onto its cabinet refer to relevant instructions.
- Attend an operating barbecue at all times.
- Do not use this appliance indoors or in any enclosed area.
- Do not spray aerosols in the vicinity of this appliance while it is in operation.
- Do not place articles on or against this appliance.
- Do not use or store flammable materials in or near this appliance.
- Always leak test /check hose connections after filling cylinders.
- Check cylinder condition for rust and that the date stamp is current as every gas cylinder in Australia must be pressure tested every ten years.
- Never disconnect the barbecue whilst it is running.
- Do not modify this appliance in any way.
- Do not allow children to operate the barbecue.
- If a grease/fat fire should arise, turn off the gas supply immediately until extinguished.
- Always open the Lid before lighting.

HAZARDOUS FIRE OR EXPLOSION MAY RESULT IF INSTRUCTIONS ARE IGNORED.

It is the consumer's responsibility to see that the barbecue is properly assembled, installed and taken care of. Failure to follow the instructions in this manual could result in serious bodily injury and /or property damage.



WARNING FOR YOUR SAFETY



If you smell gas:

1. Shut off gas supply to appliance.
2. Extinguish any open flame.
3. Open lid or hood.
4. If odour continues, immediately call your gas supplier or your Fire Department.

INSULATION JACKET ASSEMBLY INSTRUCTIONS



TOOLS REQUIRED FOR ASSEMBLY

-  10mm spanner
-  Phillips head screwdriver

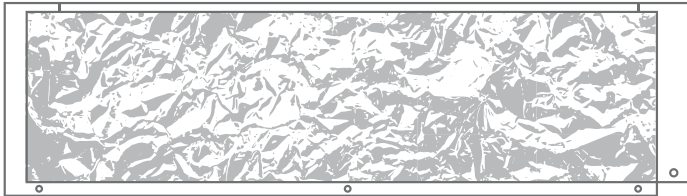
- Cut away any packaging or cable ties that may be holding components in place.
- Check you have all the correct components as listed in this Page.

WARNING!

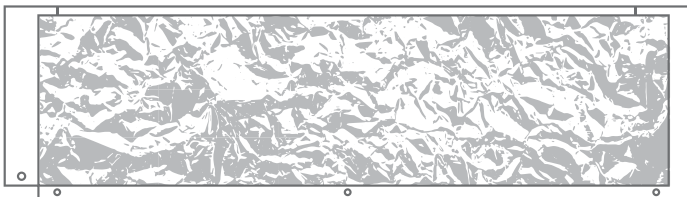
NEVER USE A DRILL TO ATTACH ANY OF THE BOLTS OR NUTS INTO THE BBQ OR THE JACKET.

A drill can cause the bolts to get hot making them expand, which causes them to get stuck inside the nut which will make them very difficult to remove. **Only use a screw driver by hand to attach the nuts and bolts.**

INSULATION JACKET PARTS



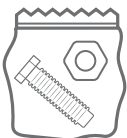
2x Stainless Steel Side Panels With Insulation Wool



2x BBQ Support Rails



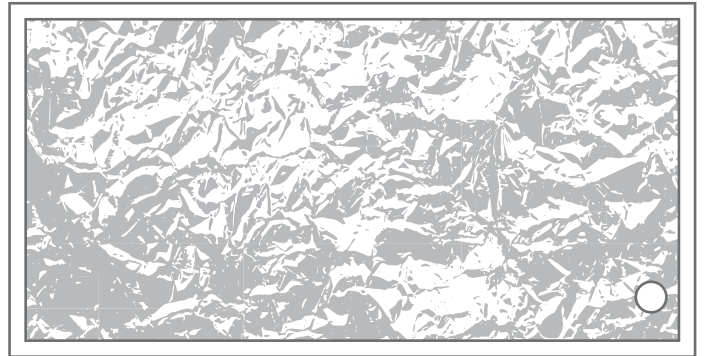
3x Rear Insulation Wool Support Brackets



1x Pack Of Nuts & Bolts



1x Hose Hole Cover Plate



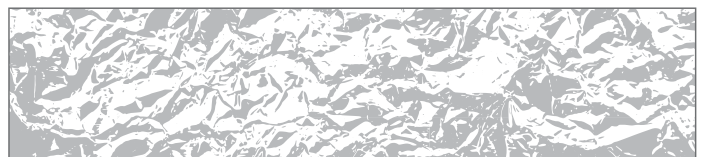
1x Stainless Steel Base Panel With Insulation Wool



1x Rear Filler Panel



1x Front Rail



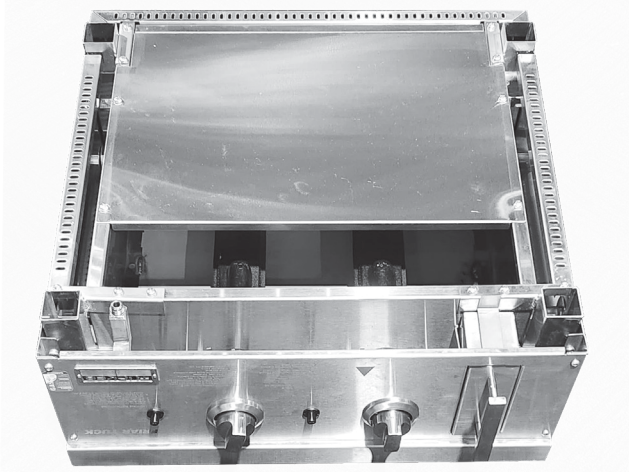
1x Piece Of Insulation Wool For The Rear of The BBQ



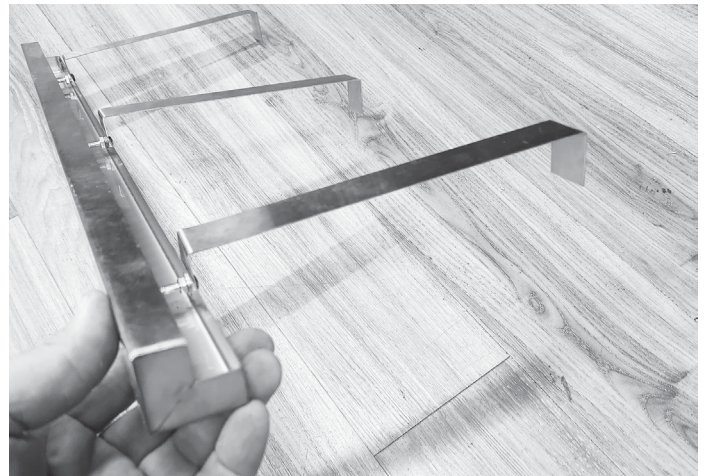
2x Rear Filler Panel Nut Plates

FRIAR TUCK INSULATION JACKET ASSEMBLY

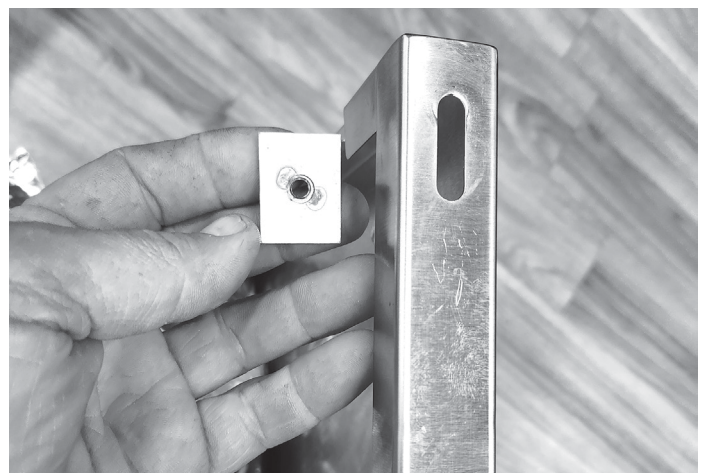
1. Before we start to assemble the Friar Tuck Insulation Jacket you must first start by laying the Friar Tuck BBQ upside down on a flat surface.

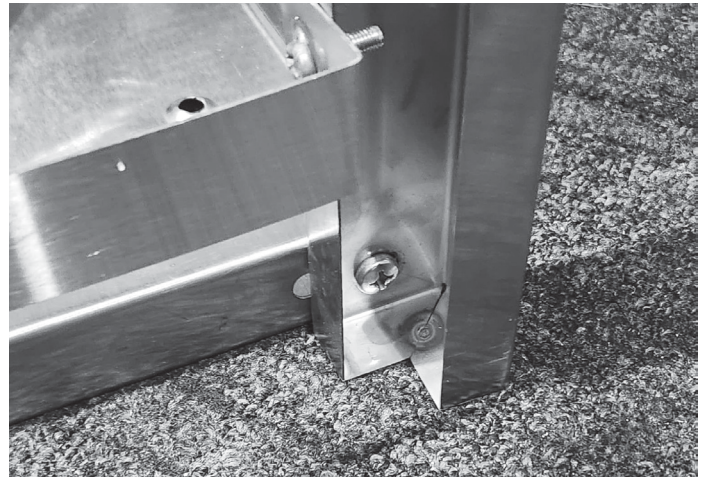


2. The Friar Tuck BBQ is very heavy and partial assembly together of some components is required, as is the attachment of some components to the BBQ.
3. Firstly attach the rear insulation wool support brackets to the rear filler panel, secure these using the small nuts and spring washers provided.



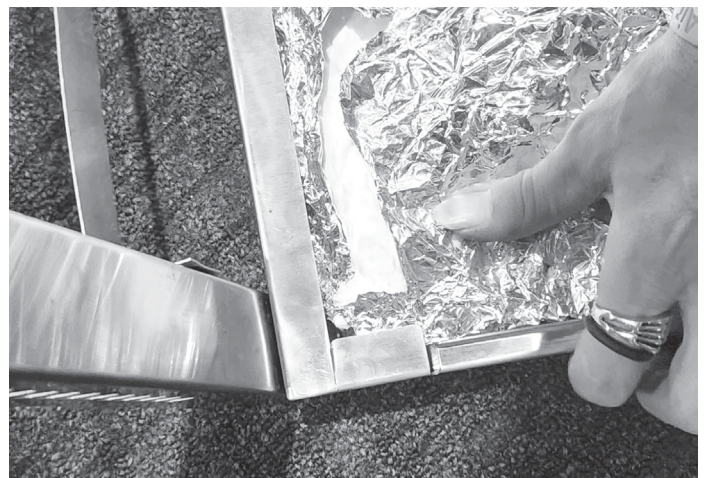
4. Next remove the insulation wool from the back of one of the side panels to allow yourself room to insert a nut plate inside the side panel.





- Using a phillips head bolt, attach the rear filler panel to the rear of the side panel by pushing the bolt through the back of the rear filler panel and then through the back of the side panel. Securing the bolt into the nut plate you inserted inside the side panel.

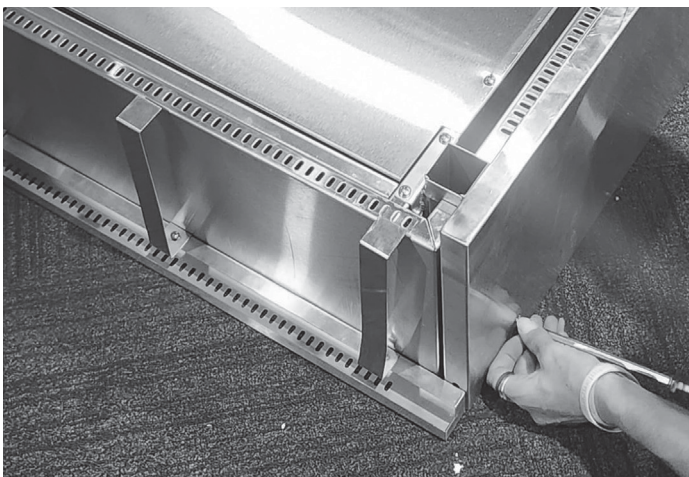
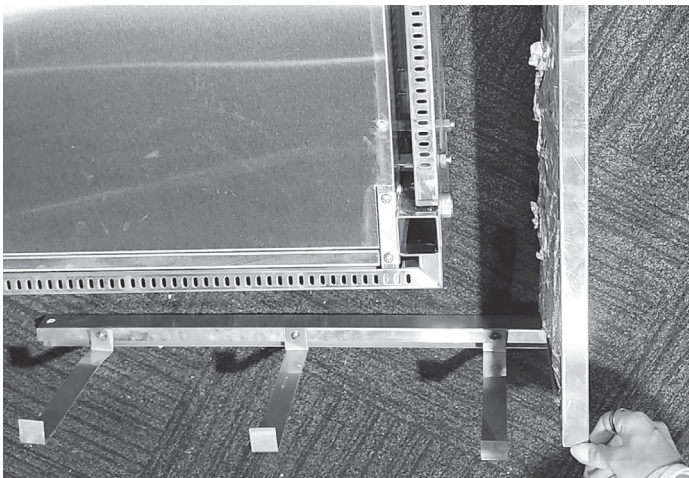
- Now re-fit the insulation wool back into the side panel taking care to ensure the wool covers the entire surface inside the side panel.



7. The next step is to take this same side panel and attach it to the side of the BBQ. For now attach the side panel to the BBQ using the rear attachment hole only in the side panel and BBQ.

Be careful when pushing the bolt through the side panel and insulation wool. Try and keep the bolt straight so that it will line up with the nut that is welded inside the side panel of the BBQ.

When you think you have the bolt lined up with the nut in the BBQ, slowly screw it into the side of the BBQ.



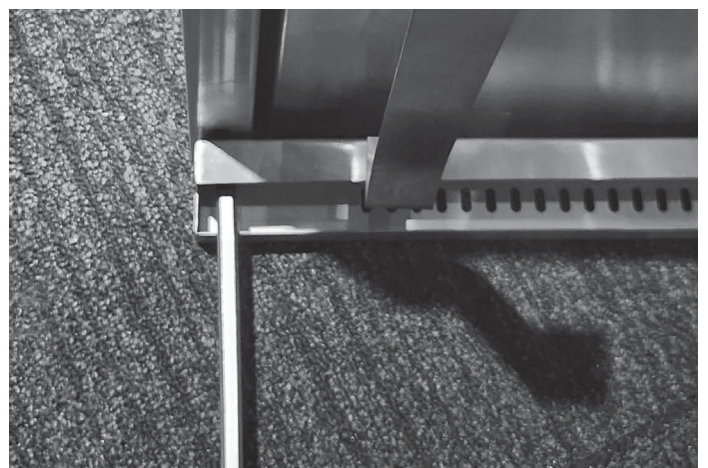
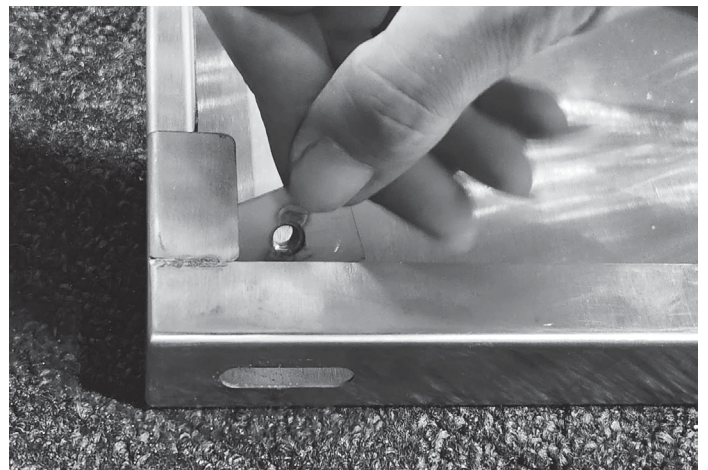
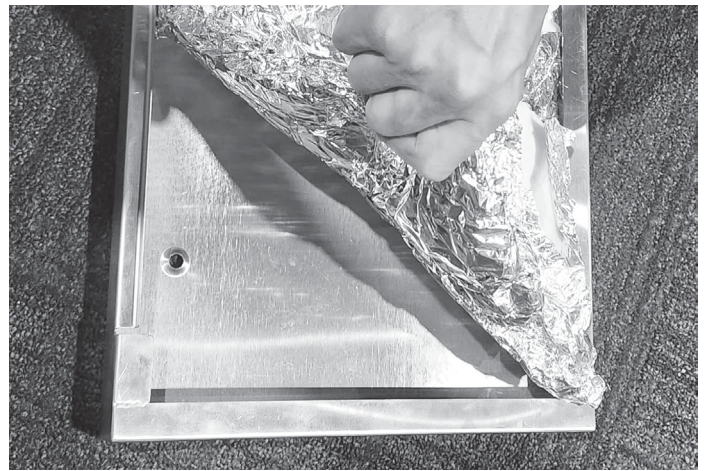
NOTE:

Be careful not to cross thread the bolt. If it is hard to turn, remove it and check the thread for any damage or any wool that could be caught in the thread of the bolt.

Do not tighten this bolt up until the end of the assembly process.

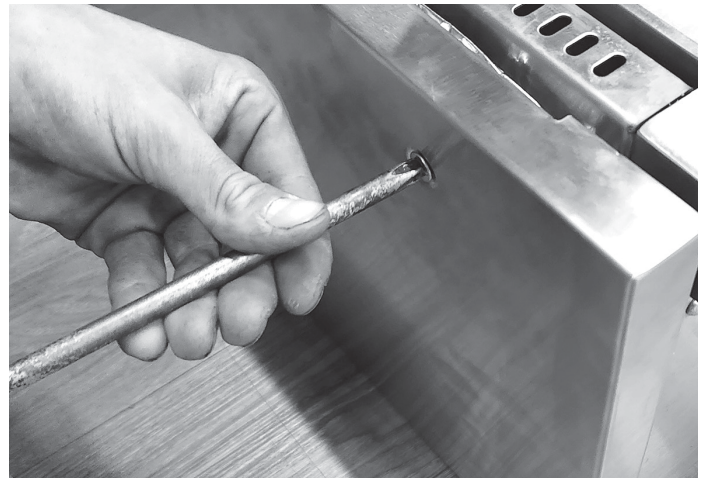
8. Now the remaining side panel needs to be attached to the rear filler panel, remove the wool from the side panel just enough to allow you to insert the nut plate and then push the attachment bolt through the rear filler and the back of the side panel and attach the bolt into the nut plate a couple of turns only.

This will allow you to be able to flex the side panel out enough to stuff the insulation wool back into place inside the side panel.



9. Now take the front rail and push it through the location hole in one of the front edges of a side panel.

Then insert the other end of the front rail into the location hole in the opposite side panel. You may need to pull the side panel out from the BBQ a little at the front, to be able to insert the rail easier.



11. Now place the rear insulation wool in between the back of the BBQ and the rear insulation wool support brackets.

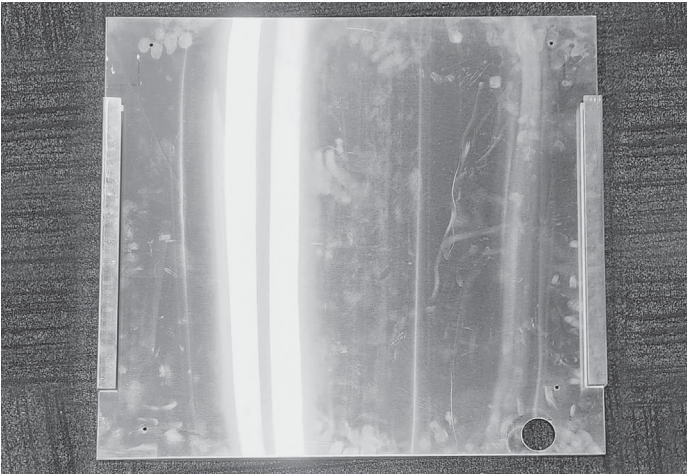
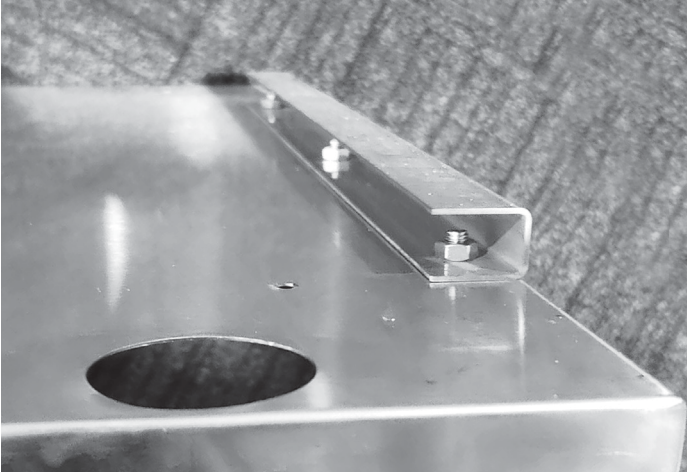
You may need to just bend the rear brackets a little in the middle of them so that they hold the wool in place more firmly.



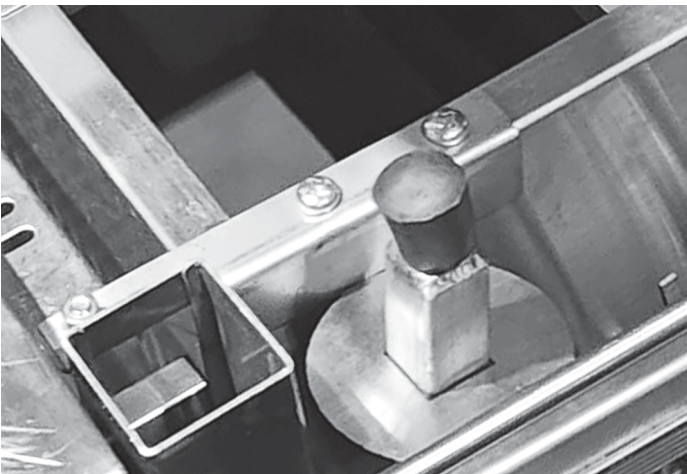
10. Now you can finish attaching the side panels to the BBQ using the remaining 2 bolts and then tighten all of the nuts and bolts up.



12. Next remove the insulation wool from the base panel and then attach the 2 x BBQ support brackets to the opposite side of the base panel as in the photo below.



13. Now remove the rubber cap from off of the manifold inlet of the BBQ and slide the hose hole cover plate over the top of the gas inlet shaft and then replace the rubber cap.

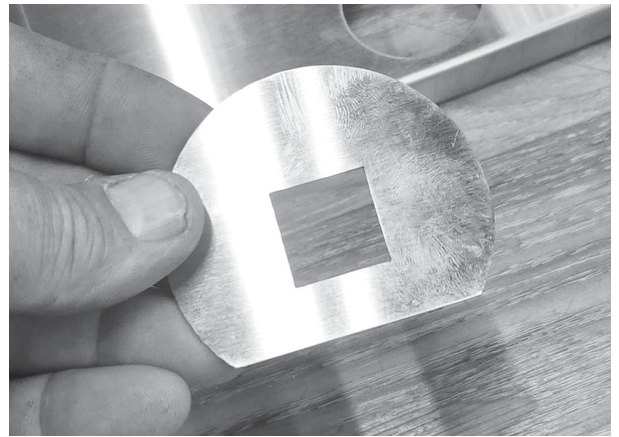


NOTE:

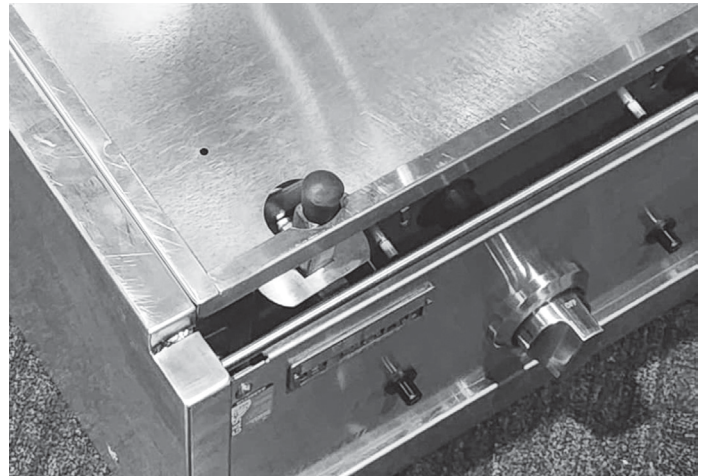
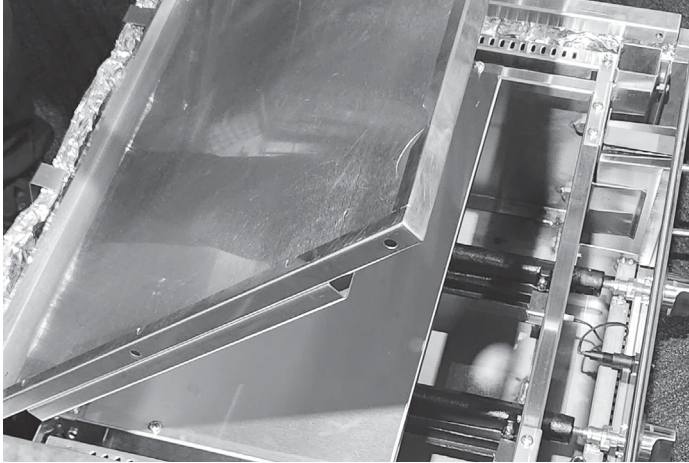
If the hose and regulator are attached to the Gas inlet it will need to be removed to allow the hose hole cover plate to be fit in place.

NOTE:

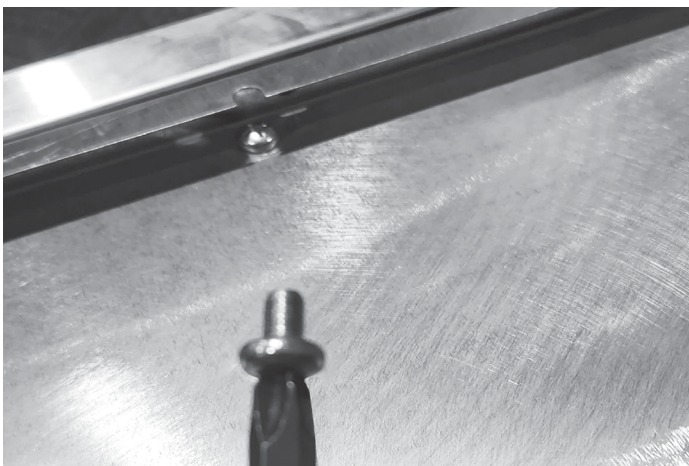
The cover plate is round with a flat cut in one side of it. The flat cut side needs to be positioned so that it faces forward and lines up with the front of the base panel when it is attached.



14. Place the base panel down onto the BBQ with the support brackets facing the base of the BBQ and then using 6 x Phillips head bolts attach the base to the 2 x side panels.



15. Place the insulation wool back into the base panel, go over the nuts and bolts again to check they are all tightened and secure.



Now go over the nuts and bolts again to check for tightness, then turn the BBQ over and check the hose hole cover plate is positioned correctly.



NOTE:

There is a hole in the base panel which must sit above the gas inlet of the BBQ.

16. The gas hose can be reconnected now or after the BBQ has been installed, which ever way is easier for you depending on the installation access.



18. To clean the BBQ and jacket in the future we recommend using hot soapy water or Tucker Heavy Duty BBQ Cleaner to remove heavier grease deposits.



NOTE:

The hose hole cover plate is required to sit down flat so that it is covering the hole that the BBQ gas inlet penetrates through in the base of the jacket.

This way it can block any potential gas leak from a gas cylinder or gas supply point that may be installed beneath where the BBQ is to be installed.

To prevent tea staining of the stainless steel we recommend rubbing the BBQ and jacket over frequently with a little cooking oil on a soft cloth or stainless steel polish.

17. When you finish installing the BBQ , you can wipe the BBQ and jacket over with a little cooking oil on a soft cloth or some stainless steel polish to remove any finger prints or marks.



INSTALLATION INSTRUCTIONS

READ THE IMPORTANT INFORMATION ON THE FRONT OF THE BARBECUE

This barbecue and Insulation Jacket are designed and approved for outdoor use only.

Be mindful of the location of the installation of the barbecue.

INSTALLATION WARNINGS

Do not use this appliance indoors or on marine craft.

This appliance shall only be used in an above ground, open-air situation with natural ventilation, without stagnant areas where gas leakage and products of combustion are rapidly dispersed by wind and natural convection.

Any enclosure in which the appliance is used shall comply with one of the following:

- An enclosure with walls on all sides, but at least one permanent opening at ground level and no overhead cover. (figure 1)
- Within a partial enclosure that includes an overhead enclosure and no more than two walls. (figure 2 and 3)
- Within a partial enclosure that includes an overhead cover and more than two walls, the following shall apply. (figures 4 and 5)
- At least 25% of the total wall area is completely open.
- At least 30% of the remaining wall area is open and unrestricted.
- In the case of balconies, at least 20% of the total of the side, back and front wall areas shall be and remain open and unrestricted.

DIAGRAMMATICAL REPRESENTATIONS OF OUTDOOR AREAS

The following figures are diagrammatical representations of outdoor areas. The areas used in the figures below are examples – the same principles apply to any other shaped area.

FIGURE F1 – OUTDOOR AREA – EXAMPLE 1

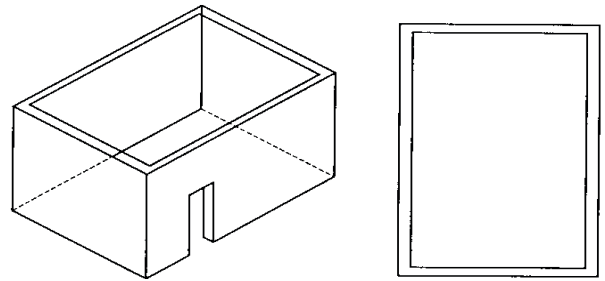


FIGURE F2 – OUTDOOR AREA – EXAMPLE 2

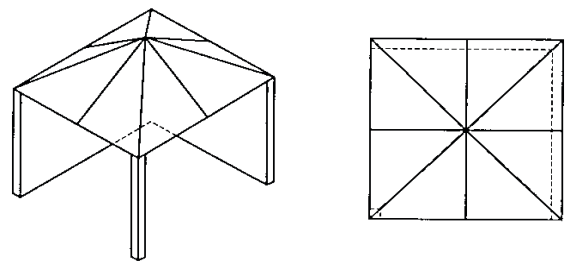


FIGURE F3 – OUTDOOR AREA – EXAMPLE 3

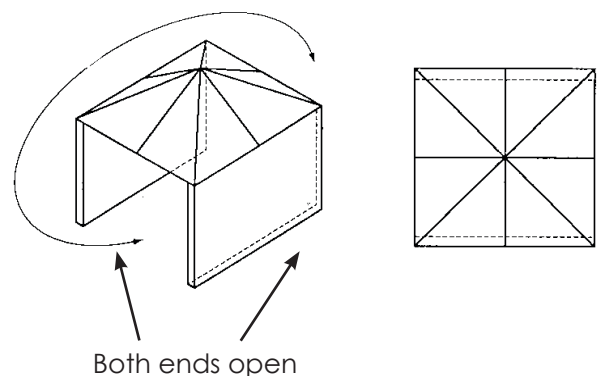
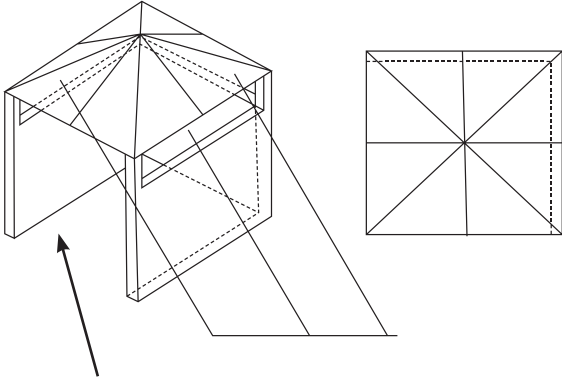


FIGURE 4 OUTDOOR AREA –EXAMPLE 4

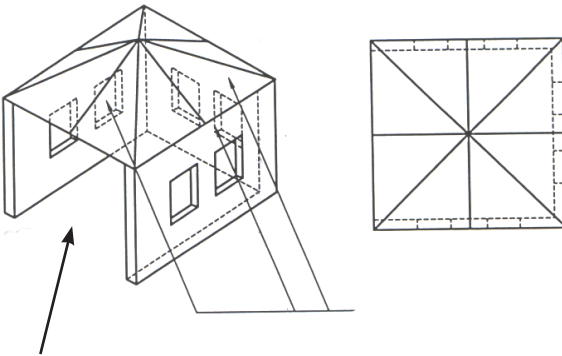


Open side at least 25% of total wall area

30% or more in total of the remaining wall area is open and unrestricted.

OPEN AT SIDE AT LEAST 25% OF TOTAL WALL AREA. 30% OR MORE IN TOTAL OF THE REMAINING WALL AREA IS OPEN AND UNRESTRICTED

FIGURE F5 – OUTDOOR AREA – EXAMPLE 5

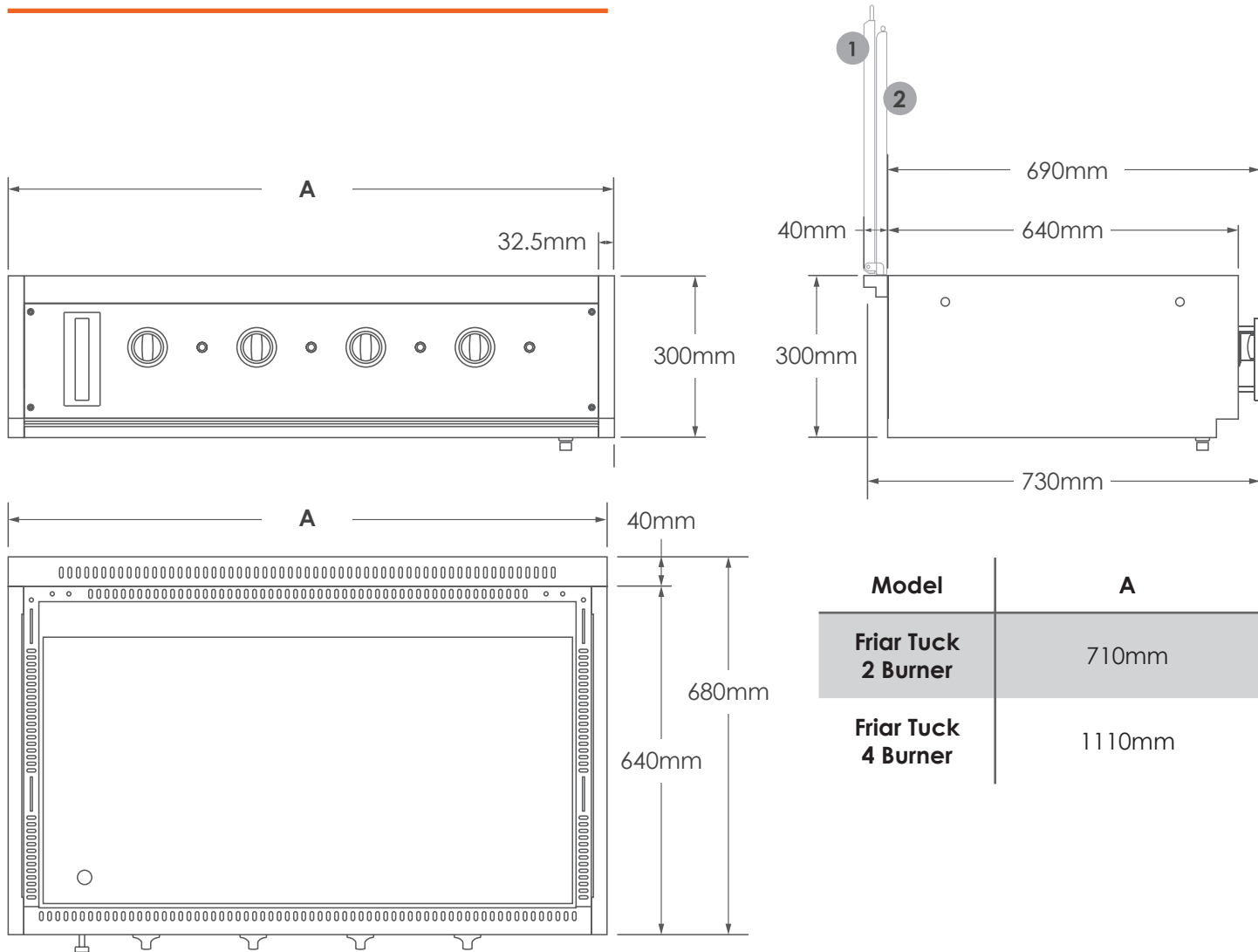


Open side at least 25% of total wall area

30% or more in total of the remaining wall area is open and unrestricted.

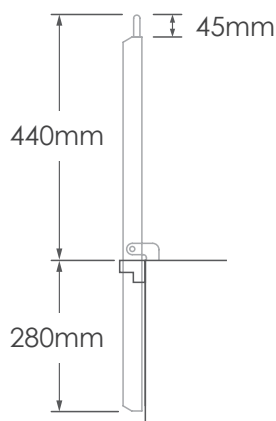
OPEN SIDE AT LEAST 25% OF TOTAL WALL AREA. 30% OR MORE IN TOTAL OF THE REMAINING WALL AREA IS OPEN AND UNRESTRICTED.

**FRIAR TUCK INSULATION JACKET
DIMENSIONS**

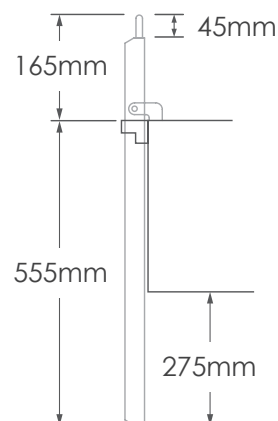


- 1 Roll Down Flat Lid Height**
- Height of Lid when closed is 30mm
 - Maximum stored Height of the Lid above the cooking surface is 440mm.
 - The minimum stored height of the Roll Down Lid behind the BBQ is 165mm.
 - The maximum stored depth below the base of the BBQ is 275mm.

**Recommended
Roll Down Set-up**

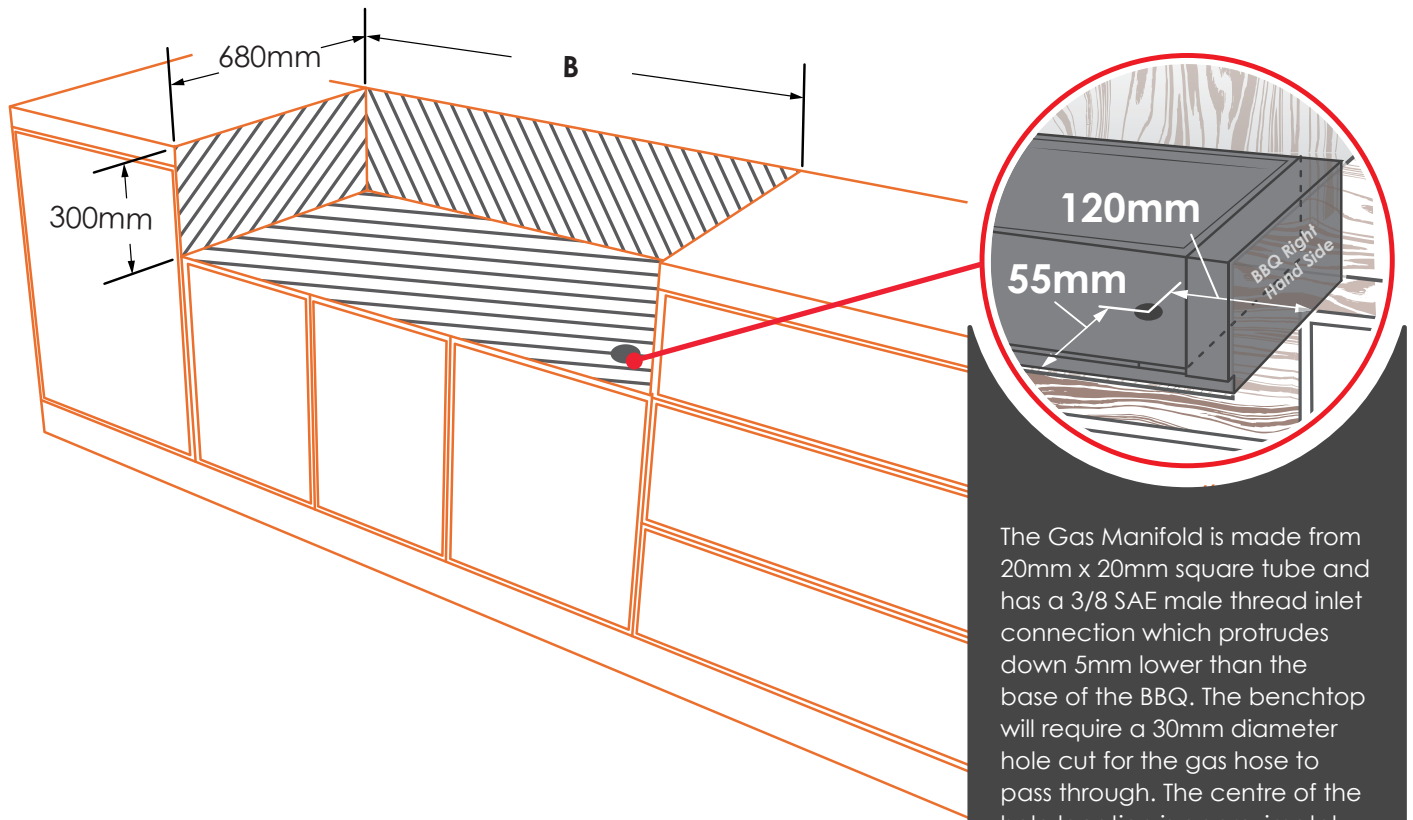


**Maximum Roll Down
Depth**



- 2 Hinge Flat Lid Height**
- Height of Lid when closed is 35mm
 - Height of lid when open is 540mm

FRIAR TUCK INSULATION JACKET BUILT-IN CUT-OUT DIMENSIONS



The Gas Manifold is made from 20mm x 20mm square tube and has a 3/8 SAE male thread inlet connection which protrudes down 5mm lower than the base of the BBQ. The benchtop will require a 30mm diameter hole cut for the gas hose to pass through. The centre of the hole location is approximately, 120mm in from the right hand side of the BBQ and 55mm back from the front control panel of the BBQ.

Model	B
Friar Tuck 2 Burner	720mm
Friar Tuck 4 Burner	1120mm

Minimum clearance to combustible wall surfaces above the cooking surface is as follows:

100mm to the side walls.

100mm to the rear wall.

800mm above the cooking surface.

Tucker BBQs with the insulation jackets fitted are designed to offer zero clearance to combustible materials that can withstand continuous temperatures of 60°C plus ambient temperature.

Tucker cannot be held liable for discolouration or distortion of any building materials or cabinetry used to surround the BBQ when it is fitted into a Tucker Insulation Jacket.

Please check with the manufacturers of any building materials before use.

PVC or polymer board is especially sensitive to heat, make sure any material used can withstand 60°C plus the ambient temperature for a continual period of at least 24 hours before using them.

**TUCKER FRIAR TUCK INSULATION JACKET
WARRANTY**

WARRANTY PERIOD

Stainless steel body 5 years

NOT COVERED

The warranty does not cover the purchaser or any other person for damage malfunction or loss due to the following:

- Lack of maintenance, abuse, neglect, misuse, accident, or improper installation of this appliance.
- Scratches, dents or discoloration caused by heat, abrasive or chemical cleaners.
- Damage due to grease or fat fires.
- Surface rust.
- Cleaning and normal wear and tear.
- Unauthorized repairs during the warranty period.

SERVICE CALLS OF THE ABOVE NATURE ARE CHARGEABLE

CONDITIONS OF THIS WARRANTY

1. The appliance is delivered to TUCKER AUSTRALIA distributors service department or authorized service agent and freight charges both ways is to be paid by the owner. No liability is accepted for loss or damage during transit.
2. The appliance is installed by a qualified person and operated and maintained in accordance with the instructions supplied. Repairs and service must be carried out by an authorized person.
3. Installation must conform to the standards laid down by the local codes or, in the absence of local codes, with AGA code AG:601 AS:5601:2002
4. No alterations or repairs are to be carried out without obtaining the distributors prior consent. Such repair or any replacement does not extend the warranty period.
5. Proof of purchase together with this warranty must be provided to verify purchase date and establish the warranty period. Only the original purchaser is covered under this warranty.

6. Where this warranty is inconsistent with any state laws, the rights of the purchaser shall prevail.
7. Parts installed from other manufacturer's products will nullify this warranty.

FOR YOUR RECORDS

Model:

Serial Number:

Retailer:

Purchase Date:

TUCKER AUSTRALIA PTY LTD.
138 Silverwater Road
Silverwater NSW 2128 AUSTRALIA.
PHONE: (+612) 9748 8368
FAX: (+612) 9748 8138
WEB SITE: www.tuckerbbq.com.au
EMAIL: mail@tuckerbbq.com.au





TUCKER
BARBECUES

TUCKER AUSTRALIA PTY LTD.
138 Silverwater Road
Silverwater NSW 2128 AUSTRALIA.
PHONE: (+612) 9748 8368
FAX: (+612) 9748 8138
WEB SITE: www.tuckerbbq.com.au
EMAIL: mail@tuckerbbq.com.au