



**TUCKER**  
BARBECUES

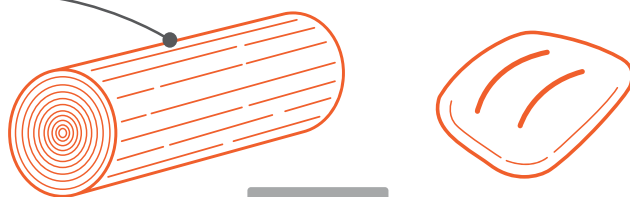
# FIRE PIT

Usage and Care Guide.

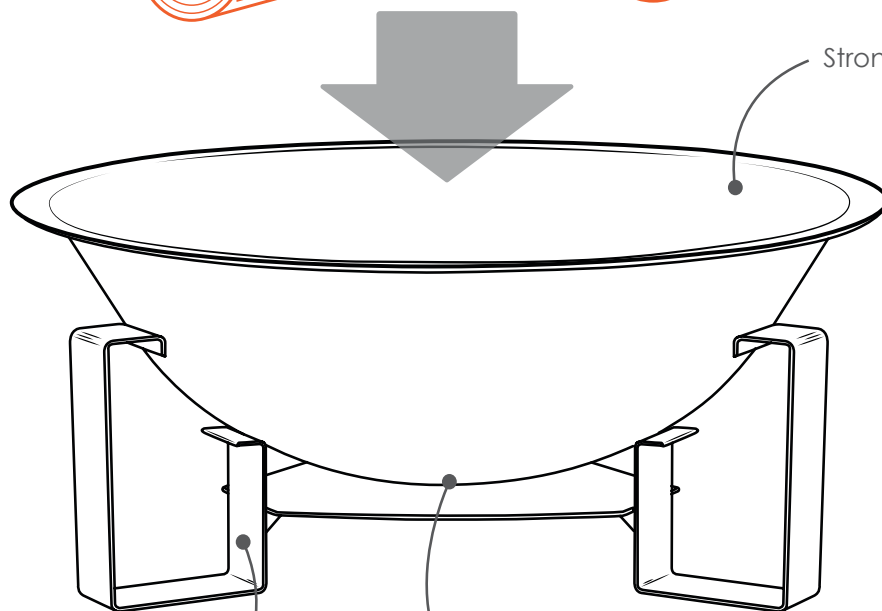


# TUCKER FIRE PIT

Wood or Coal  
to be used as fuel



Strong spun cast iron



Adjustable height  
leg system

Pre drilled drain hole

## SET UP

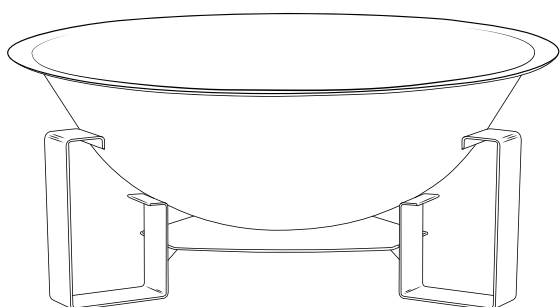
When looking for a place to set up your Fire Pit outside, think about the surroundings around it. Look for a safe level surface away from bushes or overhanging trees or other possible fire hazards.

Do not use the Fire Pit indoors or near flammable materials such as petrol cans or gas bottles.

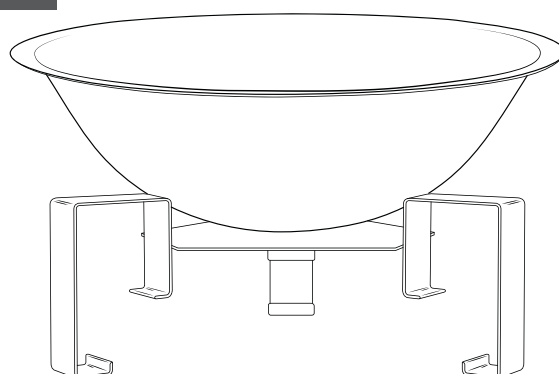
**Note:** The Fire Pit can get very hot, if placing the Fire Pit on a timber deck it is advisable to place something non-combustible such as pavers or tiles beneath it to reduce the chance of charring your decking.

## SET UP FIRE PIT BOWL HEIGHT

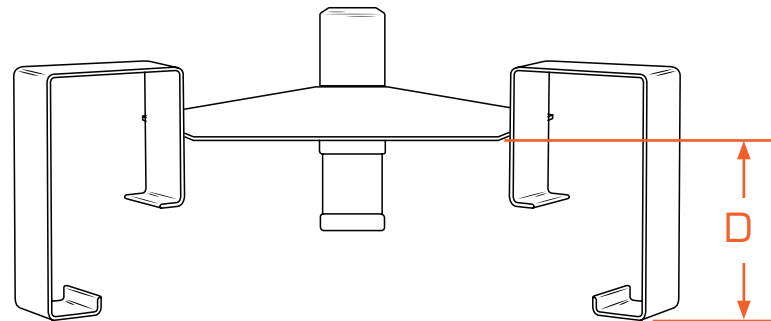
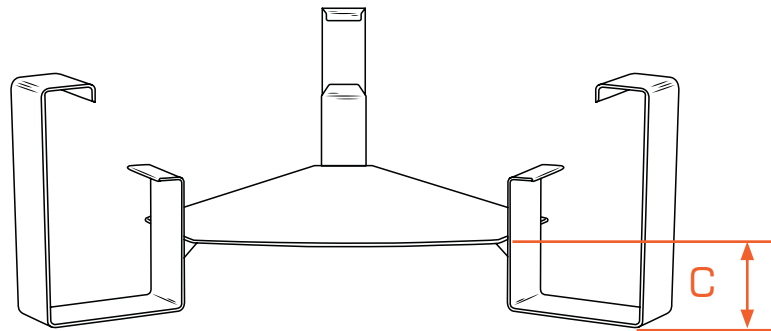
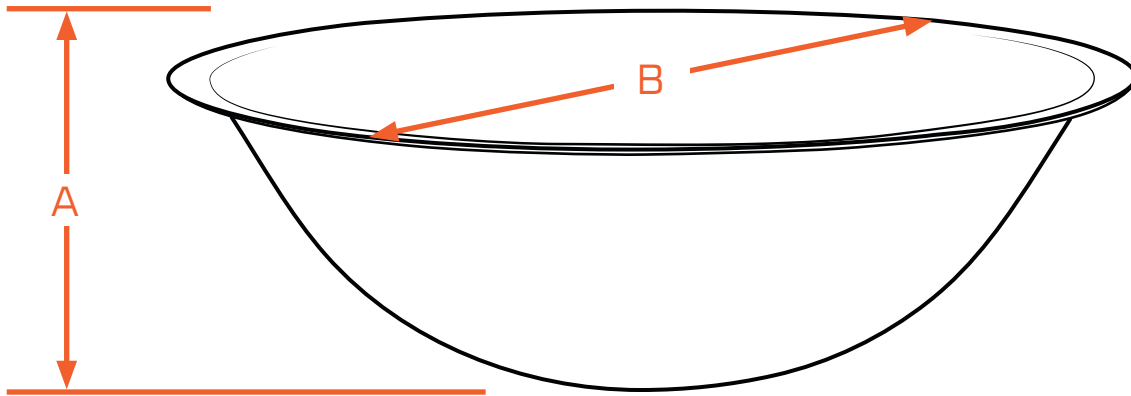
1 SET UP



2 SET UP



## DIMENSIONS



### Fire Pit Dimensions

A

B

C

D

270mm

850mm

370mm

480mm

## LIGHTING YOUR FIRE PIT WITH WOOD

Your Fire Pit has been designed to be used with wood or coals.

Place scrunched up newspaper beneath 5 or 6 small pieces of soft wood or kindling and light the paper beneath the wood.

Once the kindling is lit, place a few more slightly larger pieces of wood on top of the kindling and your fire

should establish itself within 5 to 10 minutes.

**Note:** During this time the fire will produce a lot of smoke until it has established some coals.

## LIGHTING YOUR FIRE PIT WITH COALS

Place 3 or 4 fire starters in the base of the fire pit and then place 10 or so coals or heatbeads above them in a Tipi style shape.

Light the fire starters and leave the coals to catch alight for 10 minutes, now add another 10 or so to create a warm glowing low heat.

Refuel the coals as often as you require but be mindful not to smother the coals to much when adding more coals as your fire will die down when you add too much at one time and you will loose the heat for a while until they catch on fire.



### WARNING!

**DO NOT** ever over fill the fire pit,  
keep the fuel level below half way up the sides of the Fire Pit.

## HOW TO PUT OUT YOUR FIRE PIT

When you have finished using your Fire Pit you can simply choose to let the fire go out on its own or use sand to smother the fire if you no longer need to use it.

**DO NOT** use water to put the Fire Pit out or it may crack the cast iron bowl.

**IN AN EMERGENCY** use a fire extinguisher or fire blanket  
or a hose to extinguish any flames.

## COLOUR CHANGE OF YOUR FIRE PIT

Your fire pit will change colour if left outside and will go a rusty colour due to oxidization. This is not going to effect the life of the Fire Pit but if you want to prevent it from happening you can paint the fire pit with hi-temperature stove paint on a regular basis.



## HOW TO PUT OUT YOUR FIRE PIT



### WARNING!

**DO NOT attempt to clean the fire pit when it is hot.**

Always wait until the Fire Pit is cold before cleaning the fire pit to avoid burning yourself or any property.

Scrape out the ash once the fire pit is cold, ash is very good for gardens so you can recycle your ash waste in your garden bed.

Do not leave old ash in the fire pit for long periods as this will cause the base of the fire pit to rust prematurely.

Simply hose out the remaining ash and dust and leave the fire pit to dry.

The Fire Pit has a small hole drilled into the base of the bowl, this is so that water cannot be trapped in the bowl and start rusting the base.

Keep the hole clear from obstructions so water cannot build up inside the bowl.

## SAFETY

Keep children and pets well away from the Fire Pit when it is in use as all surfaces are hot

In case of minor burns place the burn in cold ice water for as long as possible. The faster you cool the burn down the less the severity of the burn.

**DO NOT use the fire pit during fire bans.**

**DO NOT use petrol to light the fire pit.**

**DO NOT try to move the fire pit while it is alight.**

We hope you enjoy your Tucker Fire Pit.



**TUCKER**  
**BARBECUES**

TUCKER AUSTRALIA PTY LTD.  
138 Silverwater Road  
Silverwater NSW 2128 AUSTRALIA.  
PHONE: (+612) 9748 8368  
FAX: (+612) 9748 8138  
WEB SITE: [www.tuckerbbq.com.au](http://www.tuckerbbq.com.au)  
EMAIL: [mail@tuckerbbq.com.au](mailto:mail@tuckerbbq.com.au)