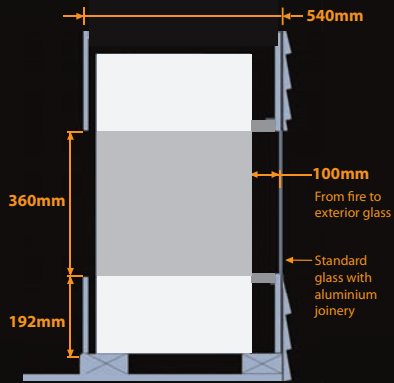


Cavity Construction

There is no need to line the interior of the wall cavity. This allows for a minimal cavity depth of 381mm over framing for a see through fire in an internal installation. When installing the see through fire into an external wall, aluminium joinery is required to be installed through which to view the fire. Refer to NZBC E2 for water tightness and flashing requirements.



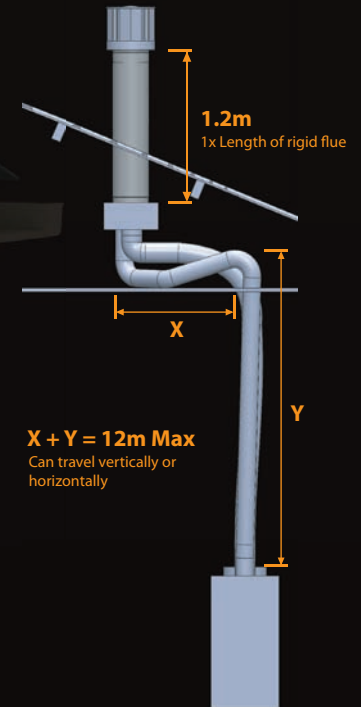
Escea gas fireplaces have a very large number of installation options, this Design Guide explains one of these.

The dimensions and specifications shown here are recommendations, and in most cases these can vary to suit your installation. For more detailed information on minimum/maximum dimensions, view the installation manual available on our website: www.escea.com/technical



Flue system

The flexible flue has a maximum length of 12m and is used as both an air intake and exhaust, allowing the fire to be completely sealed from the room. The power flue fan unit should be fixed to the roof structure where possible to minimize noise transfer through vibration. Flue roof penetration should be flashed in accordance with NZBC E2



Wall Lining

Due to the zero clearance nature of the fire, standard wall linings such as 10mm gib board can be fixed directly to the fire metalwork. This allows the fires glass front to be on the same plane as the lining and due to the frameless nature become one with the wall.

The frameless appearance also lends itself to other claddings such as stone. Again the backing sheet can be fixed directly to the fire metalwork and the frameless appearance of the fire allows for a seamless transition into the fire.

