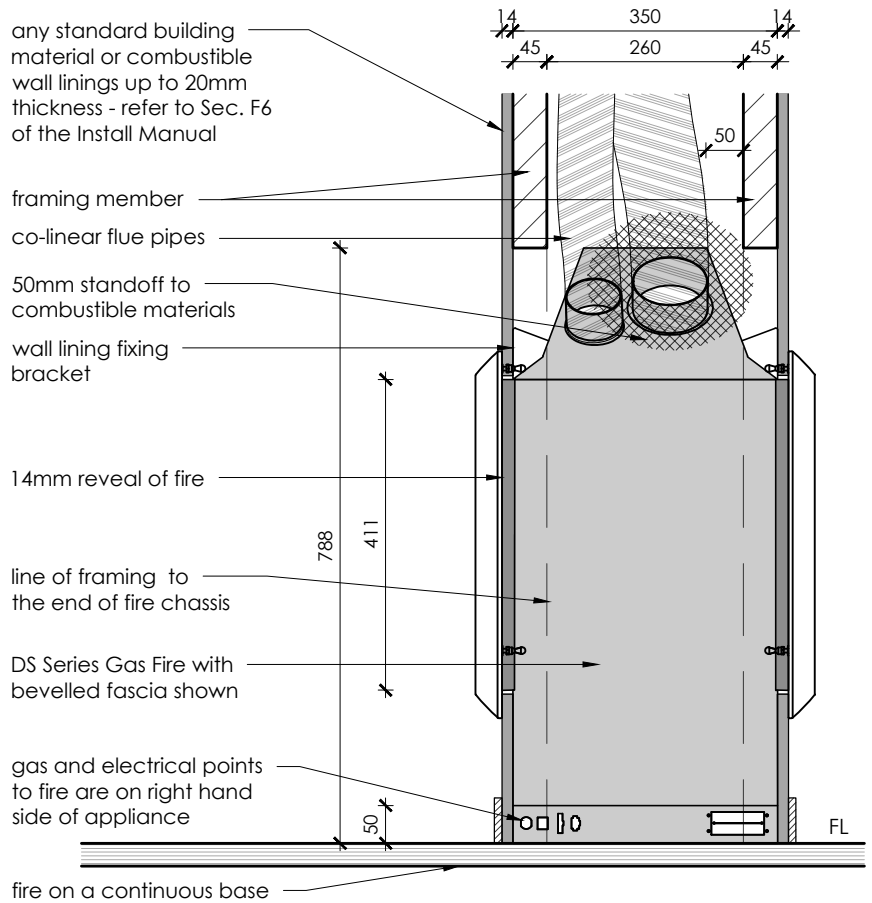


notes:

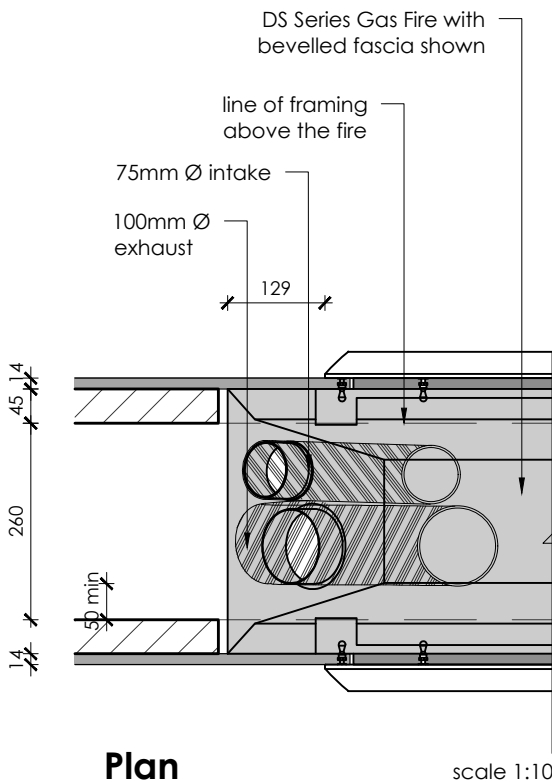
- DO NOT SCALE OFF THESE DRAWINGS
- All dimensions are in mm.
- This detail sheet is to assist in the installation the DS Series Gas Fire.
- Escea recommends when using this finishing method (Bevelled Fascia) that **13mm wall lining** is used - refer to **Sec. F6** of the Install Manual
- Wall board can be **bonded directly to the faces of the appliance** using construction adhesive. Screw fixing of wall board only in to wall lining fixing bracket above the glass opening.
- DS Series Fires can be reversed to have flue spigots and connection points from the left hand side of the cavity.
- **Do not excessively push back wall board when fixing it to the fire chassis** - use large daubs of adhesive to the chassis and apply wall board and flush finish with edge of the fire reveal.
- Double sided DS Fires can have a **Room Air Restrictor** added to one side only, restricting convected airflow from the fire, up to approximately 70% of normal.

50mm clearance to combustible surfaces for the first 1200mm of flue - Zero clearance beyond this point



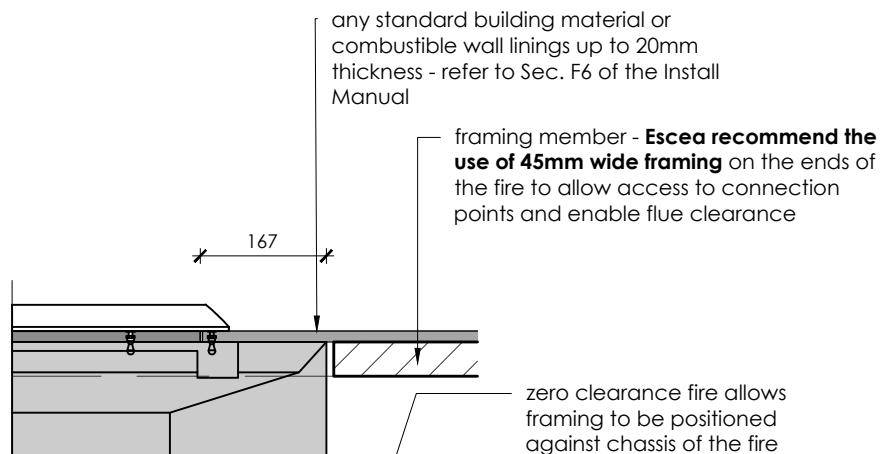
Elevation

scale 1:10



Plan

scale 1:10



IMPORTANT:

This technical sheet must be read in conjunction with the Escea DS Series Installation Manual, the latest version can be found on our website www.escea.com/nz/technical/

Contact the **ESCEA Architectural Advisory Team** for assistance with installation of this fire - aa@escea.com

file: DS SERIES MASTER FILE.dwg	scale: 1:10	ecn: ECN-2669	drawing no: EDA-0249	revision: 001	date: 13.10.2017	drawn: MG
------------------------------------	-----------------------	-------------------------	--------------------------------	-------------------------	----------------------------	---------------------