

escea.

Installation / Service Instructions

DL850 / DL1100
Gas Fireplaces

Important:

The appliance shall be installed in accordance with;

- This installation instruction booklet
- Local gas fitting regulations
- Municipal building codes
- Electrical wiring regulations
- Any other relevant statutory regulations.
- AS/NZS 5601:2010 Gas Installations



WARNING:

This appliance must be installed by a qualified person.

Do not modify this appliance.

This appliance is not intended for use by young children or infirm persons unless they have been adequately supervised by a responsible person to ensure that they can use the appliance safely.

Young children should be supervised to ensure that they do not play with the appliance.

Failure to follow these instructions could cause a malfunction of the heater, which could result in death, serious bodily injury, and/or property damage. Failure to follow these instructions may also void your fire insurance and/or warranty.

Who can install this product:

Installation must be carried out by a registered installer who, on completion of the installation, must issue a:

AUS: Certificate of Compliance

NZ: Certificates that comply with the latest legislation

in accordance with national and/or local codes. If these are not issued then the Escea warranty may be void.

Warranty Repair and Annual Servicing:

Warranty repair work must be carried out by a recognized Escea Gas Fire Technician. It is recommended that recognized Escea Gas Fire Technicians are also used to carry out annual servicing requirements (particularly during the warranty period). For contact details of recognized Escea Gas Fire Technicians in your area, please contact the retailer from whom the appliance was purchased.

The heater must be installed according to these instructions and in compliance with all relevant building, gas fitting, electrical and other statutory regulations (e.g. AS/NZS 5601). Any shortcomings in the appliance and flue installation will be the responsibility of the installer, and Escea will not be accountable for any such failings or their consequences.

Manufactured by: Escea Ltd, PO Box 5277 Dunedin NZ, Ph: +64 3 478 8220. For contact details of your local Escea distributor or dealer in New Zealand, please visit: www.escea.com or email: info@escea.com. From Australia, please visit www.escea.com.au, call AU: 1800 460 832 or WA: 1800 730 140, or email us at info@escea.com

A	Installation Process and Product Description	6
A1	Recommended Installation Process	6
A2	Product Description	6
A3	Product Dimensions	7
B	Creating the Cavity	8
B1	Cavity Shape	8
B2	Fascia	8
B3	Cavity Base	9
B4	Hearth	9
B5	Wall Linings	10
B6	Mantle Clearance	10
B7	Television Clearances	11
B8	Corner Installations	11
B9	Distance from Fireplace Base to Fascia Base	11
C	Installing the Electricity and Gas to the Appliance	12
C1	Power Supply	12
C2	Network Cable	12
C3	Gas Pipe Sizing	13
C4	Gas Pipe Position	13
C5	Gas Isolating Valve	13
C6	Pressure Test Point	13
D	Installing the Flue	14
D1	Flue Configuration (If less than 4 m flue length is required)	14
D2	Flue Configuration (If more than 4m flue length is required)	16
D3	Installing the Horizontal Powerflue Wall Terminal Option	17
D4	Installing in Accordance with Relevant Codes	18
D5	Creating the Hole in the Outside Wall	19
D6	Installing the Internal Vertical Powerflue (UVP)	21
D7	Installing the External Vertical Powerflue (UVP)	23
D8	Running the Flue	24
D9	Running the Powerflue Electrical Cable	24
E	Installing the Appliance	25
E1	Installation	25
E2	Connecting the Network Cable	25
E3	Connecting the Flue	25
E4	Fixing the Appliance to the Base and Wall	26
E5	Fixing Appliance to Base	26

E6	Fixing Appliance to Wall	26
E7	Removing the Glass	27
E8	Converting the Appliance Gas Type	27
E9	Checking the Pilot Ignition	28
E10	Log Fuel Bed Installation	29
E11	River Stone or Coal (Pebbles) Fuel Bed Installation	30
E12	Crystalight Fuel Bed Installation	30
E13	Crystalight and Driftwood Fuel Bed Installation	30
E14	Checking the Operating Pressure	31
E15	Home Automation Setup	32

F Fitting the Fascia and Finishing Installation 34

F1	Fitting the Fascia Panels	34
F2	Fitting the Bevelled Sided Fascia Panels	35
F3	Fitting the Squared Fascia Panels	37
F4	Fitting the Inset Fascia Panels	39
F5	Locating Wall Mount Cradle for Wireless Control	42
F6	Operating the Appliance for the First Time:	42
F7	Normal Operating Sounds and Smells:	43
F8	Cleaning the Glass	43

G Installation Checklist 44

S Service Manual 46

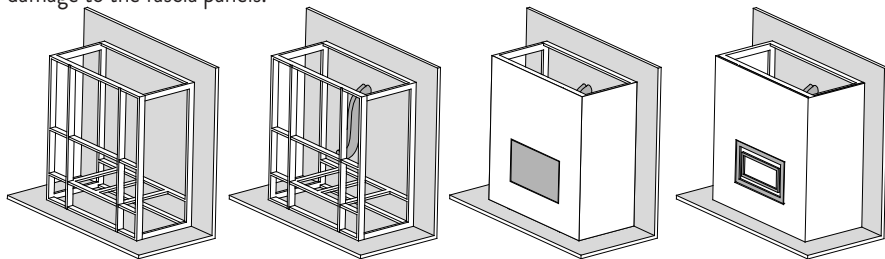
S1	Error Codes	46
S2	Serial Number	48
S3	Checking Operating Pressure	48
S4	Cleaning the Log Set, Fascia, and Glass	48
S5	Servicing the Horizontal Powerflue Wall Terminal	49
S6	Removing or Cleaning the Fan	50
S7	Replacing Electronic Drawer	52
S8	Replacing a Wireless Control	52
S9	Annual service procedure	53
S10	Wiring Diagram	54

A Installation Process and Product Description

A1 Recommended Installation Process

The following diagram illustrates the steps required to install your gas fire.

The sequence in which you choose to do these tasks will vary depending on your individual scenario. Please read these instructions fully before proceeding with the installation. Leave the installation of the fascia panels until the very end of the installation and commissioning to avoid damage to the fascia panels.



Create the Cavity	Install electrical / gas connections and flue system	Install appliance and finish cavity	Finish installation, fit fascia and test appliance
Section B	Section C, D	Section E	Section F

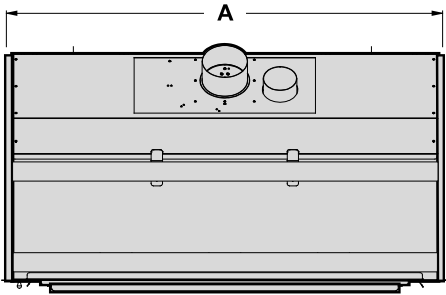
A2 Product Description

The Escea DL series gas fire is a room sealed gas appliance designed to be built into a cavity. These appliances are flued using collinear flexible aluminium flue (with PolyPro flue extensions in some installations) connected to a powerflue.

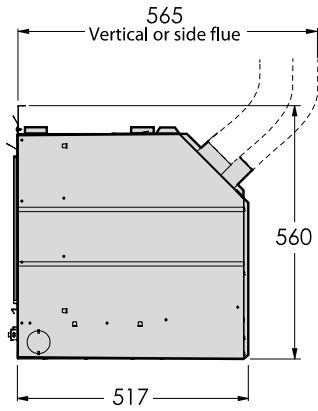
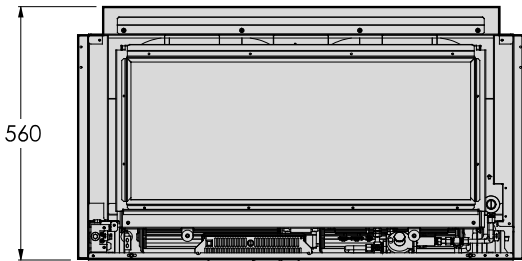
The user will control their fire with the Radio Frequency (RF) remote that will normally be left in its wall mount cradle. In addition to the RF remote the appliance has a single auxiliary On/Off button on the unit. When not in operation it is in a standby mode unless it is physically isolated from the mains supply.

A3 Product Dimensions

All dimensions are in mm



	DL850	DL1100
A	959	1259



A
B
C
D
E
F
G
SERVICE

B Creating the Cavity

B1 Cavity Shape

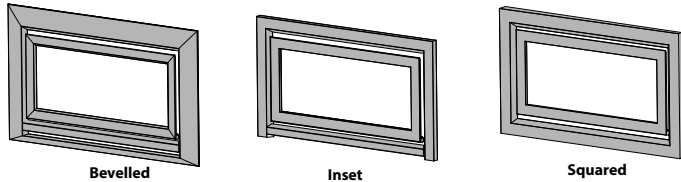
The DL850/DL1100 is suitable for both timber framed and masonry cavities. The cavity shape is dependant on two things:

-The flue configuration (section D1 on page 14)

-The fascia (section B2 on page 8)

B2 Fascia

The cavity shape is dependent on the fascia type. There are three fascia types available with the DL850 and DL1100:



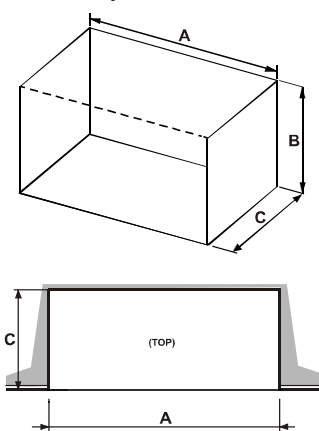
The **Bevelled** and **Squared** fascias sit proud of the finished wall surface and have a simple cavity shape. The cavity may be constructed from combustible materials.

The **Inset** fascia sits flush with, or inset from, the finished wall surface and has a more complex cavity shape. **The cavity framing and wall facing for a minimum of 300mm directly above the Inset fascia must be constructed from non-combustible materials.**

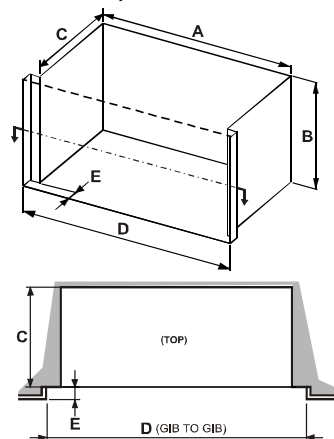
Please check the style of fascia before commencing the building of the cavity to the dimensions shown below. The cavity for Bevelled and Squared fascias may be constructed from combustible timber framing materials.

NOTE: It is not necessary to line the sides, top, or back of the cavity.

Cavity for Bevelled or Squared Fascia



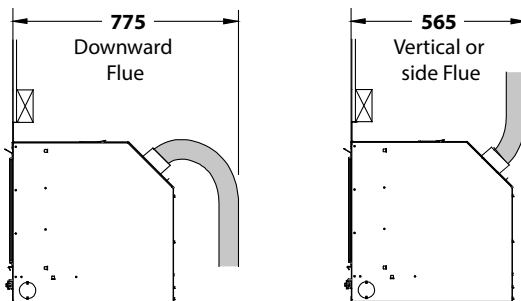
Cavity for Inset Fascia



Ideal Cavity Dimensions (mm):

DL850:	A	B (min)	B (max)	C (min)	D	E (min)	E (max)
Bevelled / Squared	965	560	575	565	-	-	-
Inset	965	585	590	565	995	30	130
DL1100:							
Bevelled / Squared	1265	560	575	565	-	-	-
Inset	1265	585	590	565	1295	30	130

NOTE: The final cavity size and shape should account for the flue direction as shown on following page.



B3 Cavity Base

This appliance **MUST** be fully supported on its base. The base must extend over the entire area of the underside of the appliance. The base must also be levelled to prevent vibration from possible fan imbalance. The base of the cavity must be strong enough to support the total product weight, which is approximately 65kg (DL850) and 80kg (DL1100), depending on fuel bed.

B4 Hearth

The base of the appliance must be installed a minimum of 100mm off the floor, unless the appliance is being installed at floor level in which case a hearth is required, made from non-combustible material, which must extend no less than 300mm from the front of the fire. This hearth should be at least as wide as the fire's outer fascia and no less than 10mm thick. Raised hearths can be any size but must also be constructed from non-combustible materials.

SQUARED FASCIA ONLY: The fascia must not be installed flush against a hearth as the fireplace draws air from the lower surface of the fascia. As such the fascia must be raised a minimum of 25mm from a hearth. For fascia measurements, see section B9 on page 11.

The floor in front of this hearth will still get warm so if the floor covering is vinyl, nylon carpet or another heat sensitive material then we recommend extending the hearth to 450mm from the fire. A raised hearth can be of any size but must be constructed from non-combustible materials.

NOTE: If the hearth is to be covered with tiles or some other veneer then the fire must be installed so that the base of the appliance is level with the finished top surface of the hearth.

B5 Wall Linings

The front mounting flanges of the appliance must be on top of the finished wall surface in order for the fascia panels to mount properly. Take into account any plaster board, tiles, or any other finishing surface that may be intended for the finished wall surface. Wall finishing materials must not encroach upon the minimum cavity clearances given in section B2 on page 8.

The wall board that lines the outside of this opening can be normal dry wall (plaster board) and does not need to be non-combustible.

NOTE: The temperature of the wall lining directly above the heater does get warm and hence may discolour paint finishes that are susceptible to temperature damage or distort vinyl wall coverings. For durability of finishes and surfaces you should contact the relevant manufacturer for their specification.

The cavity framing and wall facing for a minimum of 300mm directly above the Inset fascia must be constructed from non-combustible materials.

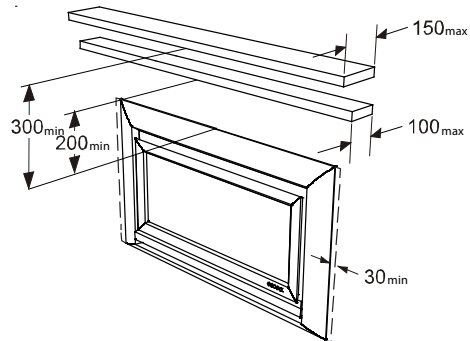
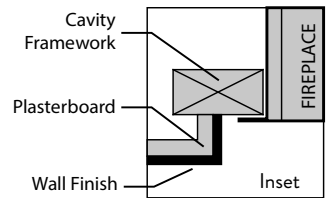
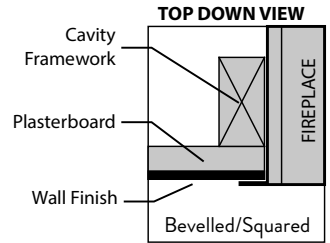
For more detail on cavity construction, view the “Drawings for Architects” in the technical section of the Escea website.

B6 Mantle Clearance

Please refer to the diagram to the right. Mantles or protruding ledges mounted above the heater that are made from combustible materials, must not extend outside of the dimensions shown.

Except for Inset fascias, maintain a 30mm clearance around the fascia to ensure ease of fascia removal.

NOTE: No clearance is needed underneath Inset Fascias.

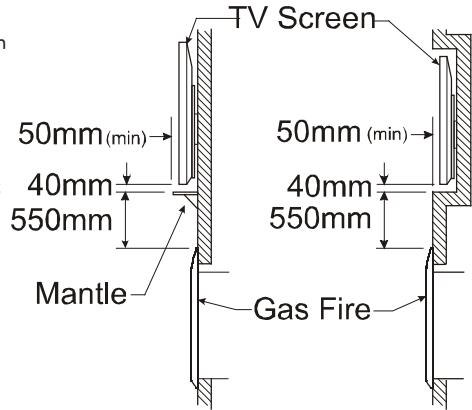


A
B
C
D
E
F
G
SERVICE

B7 Television Clearances

The following are the recommended minimum clearances for the location of any electrical equipment (such as Plasma TV, LCD TV, or home theatre) above an Escea DL Series gas fire. Use either a shelf or mantle below your TV screen or, alternatively, you can construct a recess to mount your TV screen into.

NOTE: The above television clearance recommendations are to be treated as a suggestion of a suitable installation only. It is the responsibility of the end user to check the installation instructions of their electrical appliances to ensure that the location in relation to the gas fire is suitable. Escea in no way guarantees or takes responsibility that the above installation suggestion will be suitable for all electrical or home entertainment appliances.

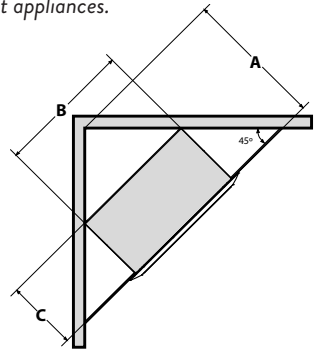


B8 Corner Installations

If a cavity is to be created in a corner, the following drawing gives the minimum sized interior wall dimensions.

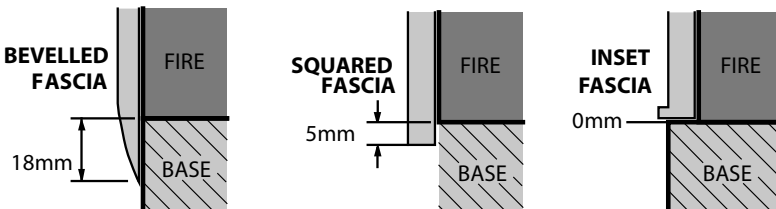
Minimum corner install dimensions (mm):

	DL850	DL1100
A	970	1145
B	960	1260
C	510	510



B9 Distance from Fireplace Base to Fascia Base

The following side-on views show the measurement from the base of the fireplace to the base of the Fascia.



END OF SECTION B

By the end of this section, you should have:

- A framed, but un-lined, cavity sized to suit your fascia and flue configuration
- Provision for sufficient access to the powerflue for future servicing

C Installing the Electricity and Gas to the Appliance

C1 Power Supply

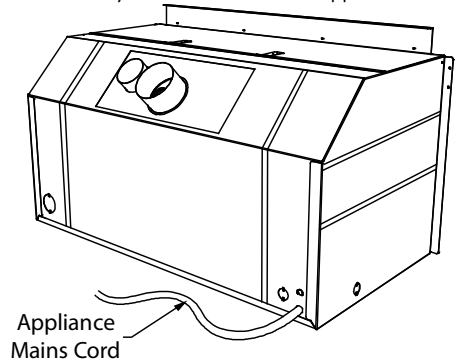
While the cavity is being created, consideration must be given to the location of an appropriate power supply. An earthed 230/240 volt mains power connection (typically a standard 3 pin outlet) must be available within 1m of the bottom right of the appliance. This connection **must** be accessible after the heater has been fully installed so that the appliance can be safely disconnected from the mains power supply prior to servicing.

A mains isolation switch (compliant to AS:NZS 5601 Clause 6.2.8) which is accessible from outside the cavity can also be used to disconnect the power.

Regardless of the method used, it **MUST ALWAYS** be possible to safely isolate the electrical supply to the appliance after it has been fully installed.

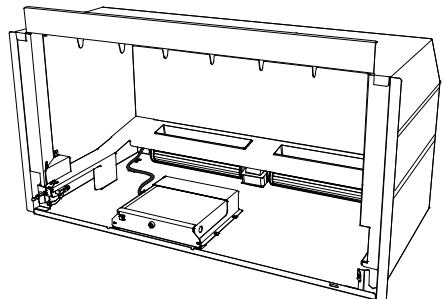
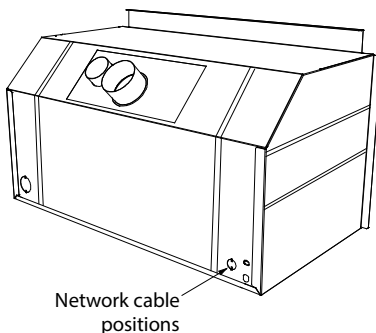
This appliance must not be located immediately below a socket outlet. This appliance will draw a maximum of 2 Amps from a 230/240V supply. No additional power supply is required for the power flue.

An electrical wiring diagram is located underneath the electronic tray, and also in the rear of this manual (section S10 on page 54).



C2 Network Cable

If the appliance is to be wired to a home automation system or internet router/network is being installed then provision must be made for the network cable to get to the control tray. A plastic plug is provided on the rear left of the appliance for a network cable to pass through the chassis and reach the control tray. Allow enough slack in the network cable to ensure the electronic tray can still be removed from the appliance. See section E2 on page 25 for final connection of the network cable.



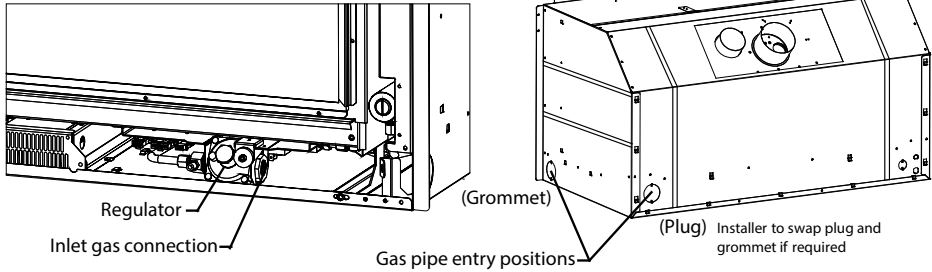
C3 Gas Pipe Sizing

Gas pipe should be sized as per the requirements of AS/NZS 5601. The pipe sizing must be sufficient to deliver the following volume of gas to the heater with all other gas appliances in the home running at the same time:

DL850 Gas Consumption = 38MJ/hr

DL1100 Gas Consumption = 42MJ/hr

C4 Gas Pipe Position



The DL850 / DL1100 have two possible entry points for gas pipe: on the rear right corner and the front right. Each is sealed by either a plastic grommet or plastic plug. If you wish to use the rear exit location, you may swap the grommet and plug positions.

The gas connection on the appliance is a ½" female BSP at the very front right of the appliance. This section of the piping will need to be flexible to allow for pipe disconnection and firebox removal.

C5 Gas Isolating Valve

It is recommended that a gas isolating valve be installed as close to the regulator on the gas inlet side as possible with easy access if the fascia is removed. This will allow for easier servicing in the future.

C6 Pressure Test Point

As per AS/NZS 5601, a pressure test point shall be provided by the installer prior to the inlet of the appliance

END OF SECTION C

By the end of this section, you should have:

- An unlined cavity with a standard three pin 230/240V AC supply that the appliance can be plugged into
- An electrical isolating switch that is accessible once the appliance is installed
- A suitably sized gas supply to the right hand side of the appliance with a pressure test point, ready to be connected once installed
- Network cable installed, ready for plugging into appliance (if being connected to internet router/network)

D Installing the Flue

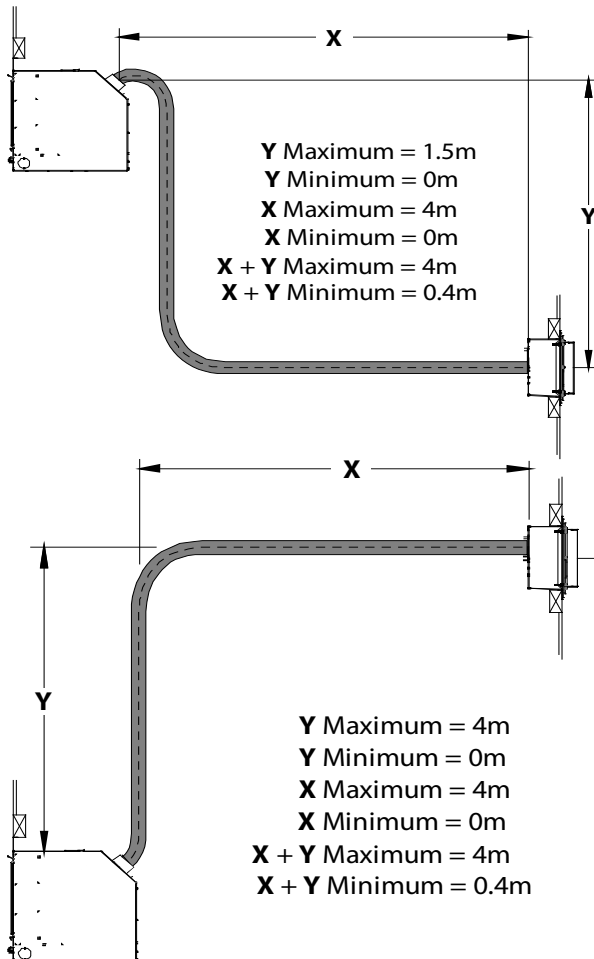
D1 Flue Configuration (If less than 4 m flue length is required)

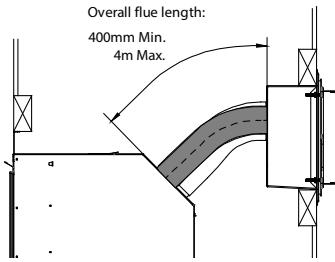
If your flue system is less than 4m long (as shown in diagrams below), then a simple aluminium flexible flue is required. If you wish to install a longer flue run, up to 12m, see section D2 on page 16.

Horizontally Terminated: Utilises the Escea horizontal power flue enclosure kit.

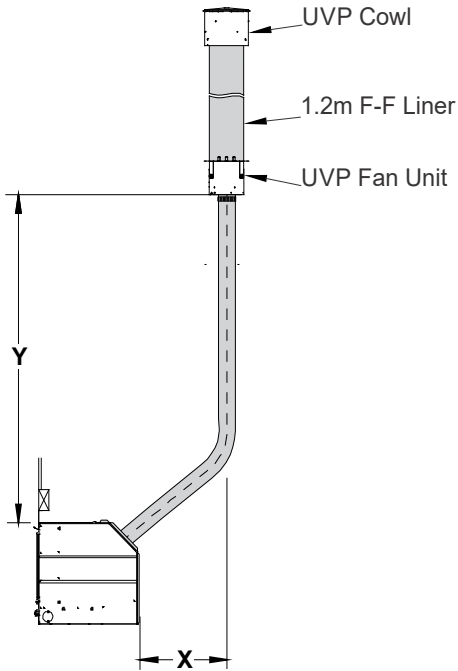
The horizontal offset of the terminal can be any amount up to the total flue length listed below. Please consult with Escea's technical staff if your intended flue configuration steps outside of the bounds of the flue configurations shown below.

Note: When flueing above the fire, the pipe must slope towards fire - NOT towards the terminal. Also when flueing below the fire, the pipe must slope towards the terminal - NOT towards the fire.





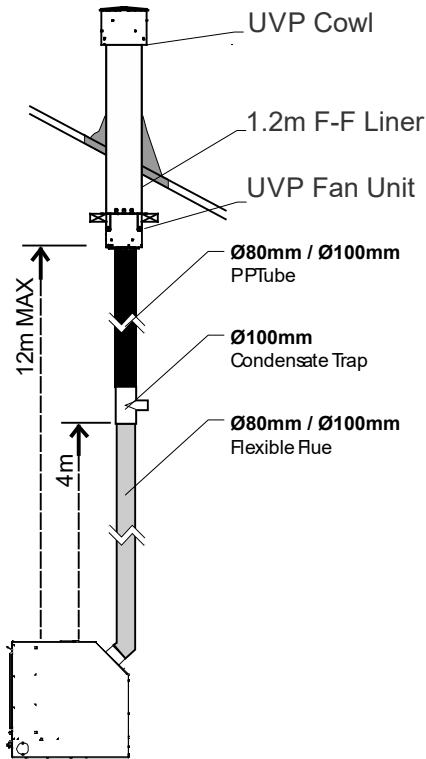
Vertically Terminated: Utilises the Escea vertical power flue enclosure kit.



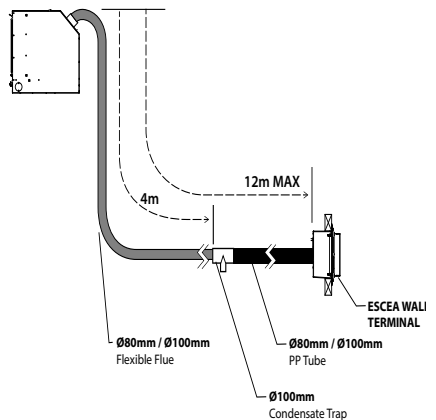
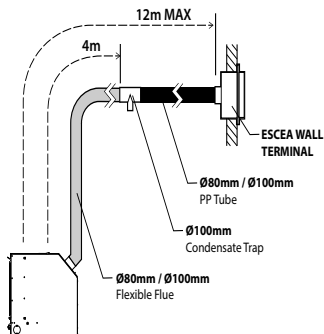
A
B
C
D
E
F
G
SERVICE

D2 Flue Configuration (If more than 4m flue length is required)

If your flue system is greater than 4m long (as shown in diagrams below), then a flexible flue with condensate trap and rigid PolyPro tube flue lengths is required.



For further information and detail on PolyPro (Rigid) flue and condensate traps, see the documentation supplied with the flue components.



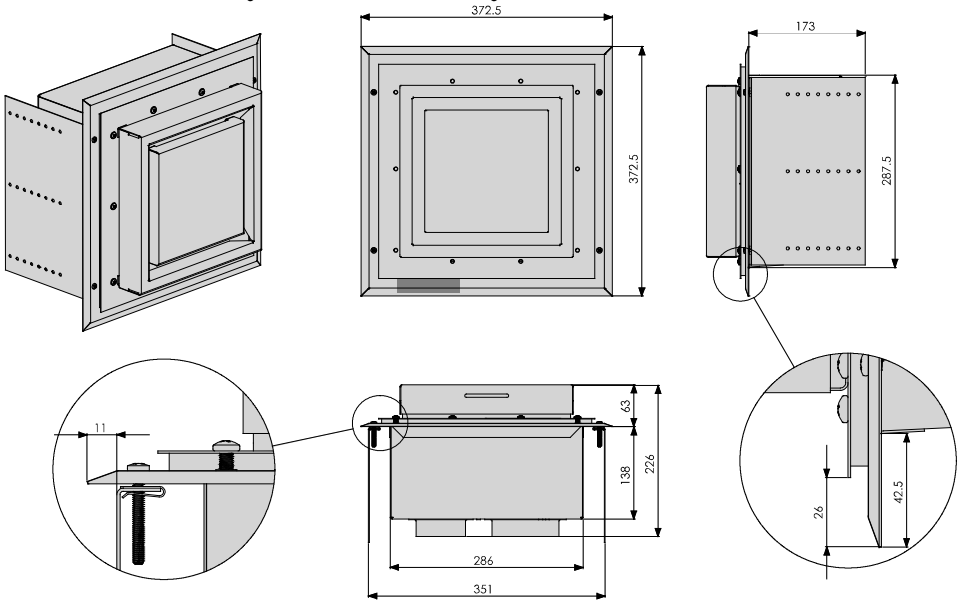
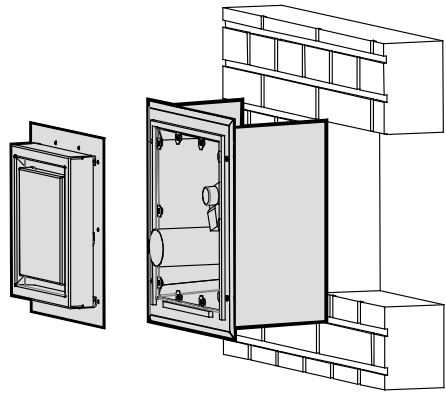
D3 Installing the Horizontal Powerflue Wall Terminal Option

The horizontal powerflue wall terminal must be installed in the correct orientation. This allows for the correct operation of the flue system and prevents the ingress of water.

The horizontal powerflue wall terminal must be weathertight when installation is complete to prevent damage to the dwelling. It must be installed by a suitably qualified person.

Fit the horizontal powerflue wall terminal into the hole and fix in place, making sure the installation is sealed appropriately to prevent the ingress of water from outside the wall cladding. Take notice of the label on the termination which shows the correct orientation of the terminal.

Note: It is the responsibility of the installer to ensure the horizontal powerflue wall terminal is installed to all relevant building codes to ensure weather tightness.

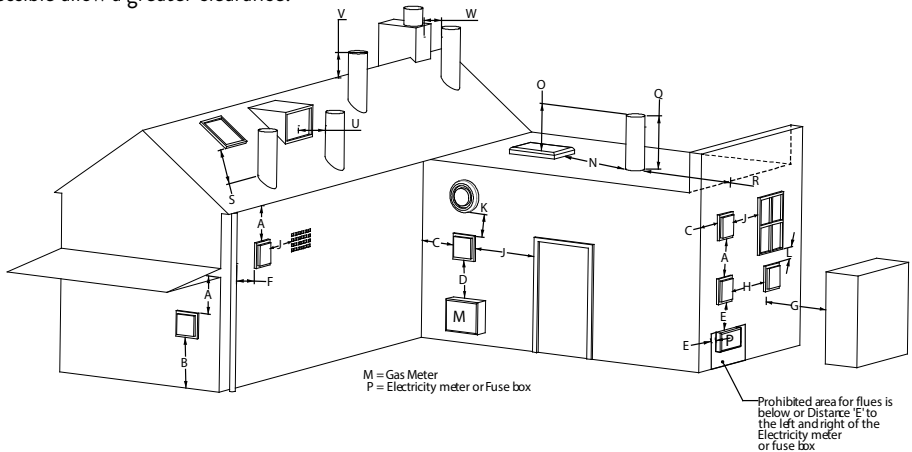


A
B
C
D
E
F
G
SERVICE

D4 Installing in Accordance with Relevant Codes

The location of the horizontal powerflue wall terminal must be installed in accordance with AS/NZS 5601 and any other relevant building codes. If possible, avoid installing the horizontal powerflue wall terminal in areas exposed to high winds and extreme weather.

Some of the minimum clearances for a fan assisted wall terminal are listed below; please refer to AS/NZS 5601 Gas installation standard for full guidance on the design of the flue system. Where possible allow a greater clearance.



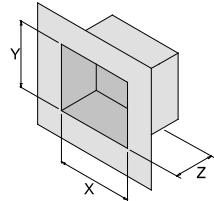
A	Below eaves, balconies and other projections	200mm
B	From the floor, above a balcony or other surface	300mm
C	From a return wall or external corner	300mm
D	From a gas meter or regulator vent	1000mm
E	From electricity meter or fuse box	500mm
F	From a drain pipe or soil stack	75mm
G	Horizontally from any building structure or obstruction	500mm
H	From any other flue terminal or combustion air intake	300mm
J	Horizontally from any openable window, door, non-mechanical air inlet, or any other opening into a building with the exception of sub floor ventilation	300mm
K	From a mechanical air inlet or spa blower	1000mm
L	Vertically below any openable window, door, non-mechanical air inlet, or any other opening into a building with the exception of sub floor ventilation	300mm
N	Horizontally from a roof light	600mm
O	Vertically from a roof light	500mm
Q	Vertically from a flat roof	500mm
R	Horizontally from a vertical structure	500mm
S	Below a roof window	2000mm
T	Above or either side of a roof window	600mm
U	From a dormer window	1500mm
V	Above the apex of the roof (see note 1 on following page)	300mm
W	From an open flue	1500mm

NOTES:

- 1) Should the flue not extend past the apex of the roof, the bottom opening of the flue should extend at least 200mm from the roof (or 300mm in regions with heavy snow).
- 2) The installation of a flue into a carport is not recommended.
- 3) The flue terminal will get very hot when in use. Precautions should be taken to protect people and animals from injury.

D5 Creating the Hole in the Outside Wall

When cutting the hole in the outside wall, be mindful of how the installation horizontal powerflue wall terminal will be finished; the installation must be weatherproof.

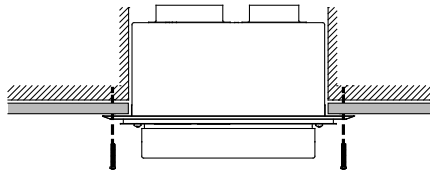


Ideal hole/cavity size for Horizontal Powerflue

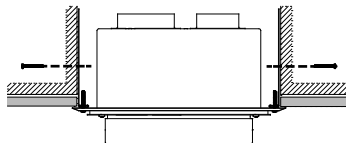
	Without Side Brackets	With Side Brackets
X	298mm	360mm
Y	298mm	298mm
Z	175mm Excluding allowance for flue which exits here	

The horizontal powerflue wall terminal can be attached to the wall in two ways:

A) From the front of the terminal:



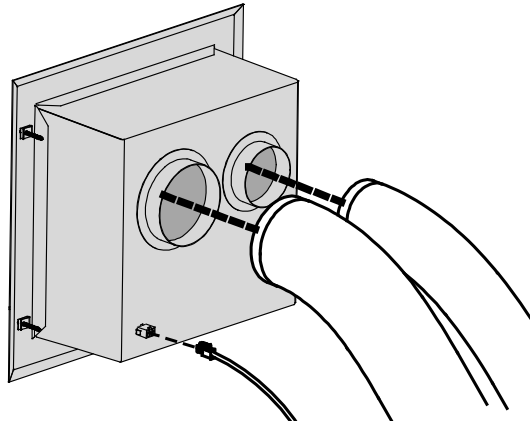
B) By attaching the optional wall terminal installation brackets to the sides of the cavity and attaching the horizontal powerflue wall terminal to these, from the front:



Attach the Ø100mm and Ø75mm flexible aluminium flues to the spigots on the rear of the horizontal powerflue wall terminal using the hose band clamps supplied. Plug the powerflue electrical cable into the back of the horizontal powerflue wall terminal.

For information on the PolyPro flue, see the installation manual which is supplied with the flue components.

Ensure that the electrical cable is firmly secured to the wall terminal or building to prevent damage or disconnection if pulled.



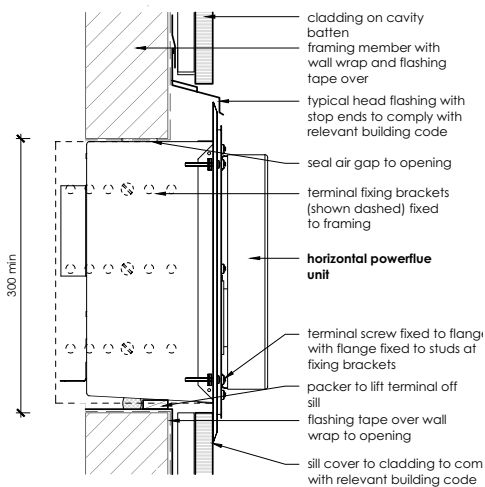
Fit the horizontal powerflue wall terminal into the hole and fix in place, making sure the installation is sealed appropriately to prevent the ingress of water from outside the wall cladding.

NOTE: It is the responsibility of the installer to ensure the horizontal powerflue wall terminal is installed to all relevant building codes to ensure weather tightness. This may necessitate the use of appropriate flashing material where appropriate.

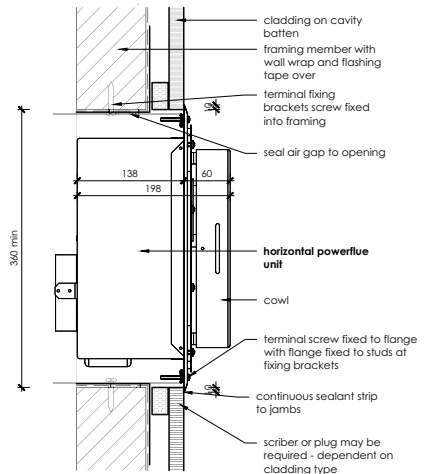
IMPORTANT: Ensure that flashings do not restrict the air intake slot around the periphery of the cowl

How to Flash the Horizontal Powerflue

The following diagrams are excerpts from the Escea architect drawings and are available in full on our website. These diagrams are recommendations, and your installation must comply with any local or national building codes.



Head and Sill scale 1:5



Jamb scale 1:5

D6 Installing the Internal Vertical Powerflue (UVP)

Note: For information regarding an external install of the UVP, go to section D7 on page 23.

The Universal Vertical Powerflue (UVP) internal configuration is designed to have the fan, mounted within the roof space of the house, and the vertical $\varnothing 225\text{mm}$ diameter liner, containing a $\varnothing 100\text{mm}$ flexi, penetrate through the roof. The UVP internal conversion kit comes with a 1200mm liner that is specific to the internal installation and must always be used.

Note: The flue setup must comply with either section D1 on page 14 or D2 on page 16.

Use standard methods to flash the roof penetration. The installation must be weatherproof and conform to all local council standards including powered flue termination rules.

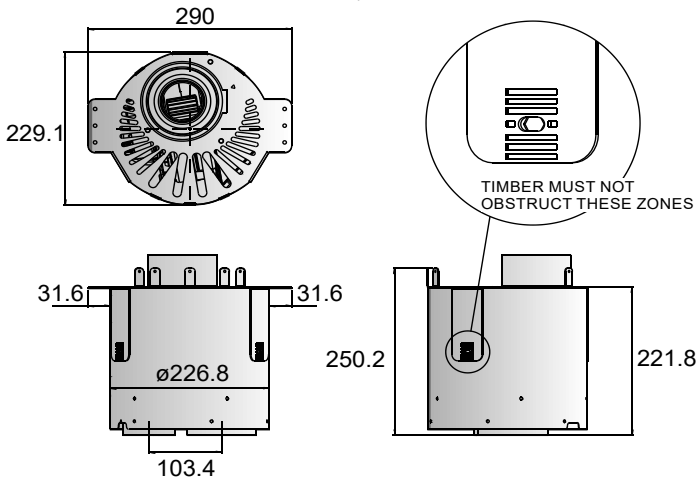
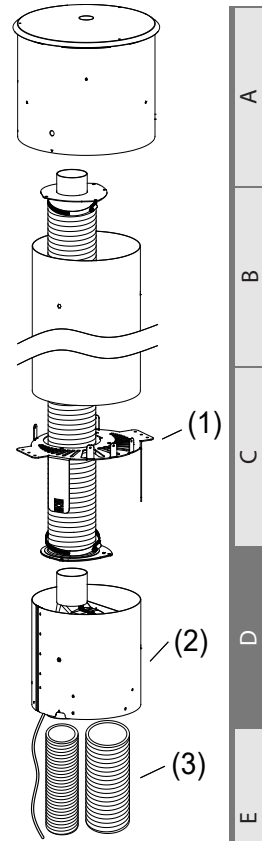
Mount the fan mount bracket (1) to the roof framing and strapping using timber ensuring that the flue is rigid and vertical. Ensure that the mounting timber does not obstruct access to the 3xM5 screw threads on the side of the fan unit.

Aim to have the fan enclosure (2) mounted as high as possible, mainly to allow sufficient fall for condensation drainage if the flexi-flue is to run horizontally.

Ensure there is sufficient space below fan enclosure (2) to have access to fit the flexi-flue tubes (3) and allow flowing bends if required.

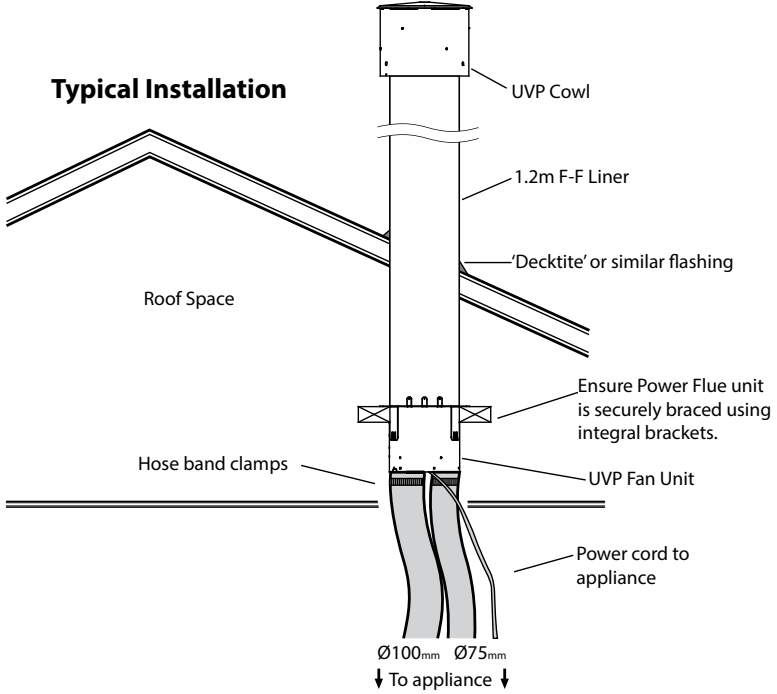
Note: The UVP-Internal and the flexi flue connections must be installed in a location accessible for service or replacement; a service hatch or removable flashing to allow access may be required.

Note: When installing the unit onto a flue liner, ensure the length of flue liner above the roof is the minimum required length. **ENSURE** the $\varnothing 25\text{mm}$ restriction plate is installed on the inlet.



The UVP-Internal kit is intended for use within an accessible roof space or 'chimney' construction. Service access must be provided.

Ensure installation complies with relevant building codes and regulations



A

B

C

D

E

F

G

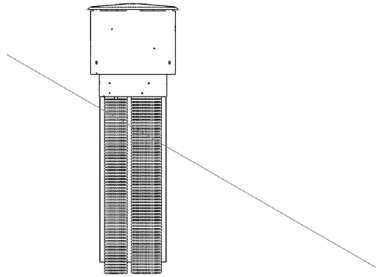
SERVICE

D7 Installing the External Vertical Powerflue (UVP)

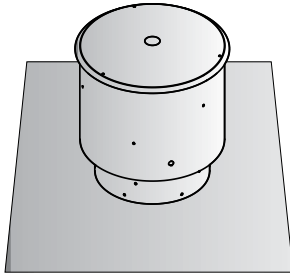
Note: For information regarding an internal install of the UVP, go to section "Installing the Internal Vertical Powerflue (UVP)" on page 21.

The UVP is designed to have the enclosure containing the fan unit mounted externally; an example is shown below.

NOTE: When installing the unit onto a flue liner, ensure the length of flue liner above the roof is the minimum required length. ENSURE the Ø25mm restriction plate is installed on the inlet.



The cowl surround should be fixed in place as shown.



Mount the UVP kit to the top of a chimney flashing plate or penetrate the roof with an optional flue liner accessory and fit the UVP kit over the flue liner, sealing the penetration with a decktite or similar flashing. Ensure the terminal is vertical and rigidly mounted and the flexi flue attached below is fixed to the terminal spigots using the supplied hose clamps. The flexi flue is held in place by drilling 3 holes and screwing 3 self tapping screws evenly around each hose band clamp (as shown in the picture below).



D8 Running the Flue

Run the Ø100mm ID and Ø75mm ID (Ø110mm OD and Ø85mm OD) flexible aluminium hoses from the cavity to the rear of where the horizontal or vertical powerflue terminal will be installed. **The flue system for the DL850 / DL1100 is zero rated, so no spaces are required between the flue and any timber framing.** Allow enough stretch in the flexible aluminium flue to allow it to be able to protrude through the wall/ceiling to enable it to be connected to the Powerflue Terminal. The flue should be expanded at each end in order for the flue to be attached to the fire / powerflue.

For information on running the PolyPro flue , see the installation manual which is supplied with the flue components.

It is advisable to secure the flexi flue at regular intervals to prevent vibration and movement. Steel wire or 'builders strapping' may be used for this purpose.

NOTE: The flexible flue is shipped in a 'compressed' form. Extend it to your desired length by stretching (up to 4m maximum per length).

D9 Running the Powerflue Electrical Cable

NOTE: The horizontal powerflue wall terminal is powered from the appliance, and must be connected to the appliance with the supplied electrical cable only.

Run the electrical cable from the cavity where the appliance will be installed to the hole in the outside wall. Ensure it is not draped over, or in contact with, the outer shell of the appliance or the flues and kept clear from any other possible heat sources, sharp edges, or moisture. Fix it appropriately and allow enough cable looped to be able to pull both the appliance and the Horizontal Powerflue Wall Terminal out from their installed positions.

END OF SECTION D

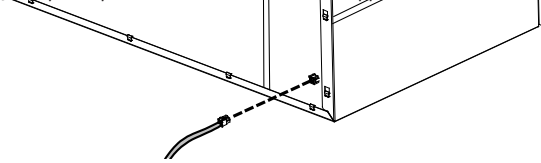
By the end of this section, you should have:

- A weather-tight installed Horizontal Powerflue Wall Terminal with clearance as specified by AS/NZ5601
- Reasonable access to the outside face for maintenance purposes
- Flue attached to the rear of the Horizontal Powerflue Wall Terminal leading back to the appliance
- The electrical cable from the Horizontal Powerflue Wall Terminal attached to the rear of the installation and run back to the appliance cavity in an electrically safe manner

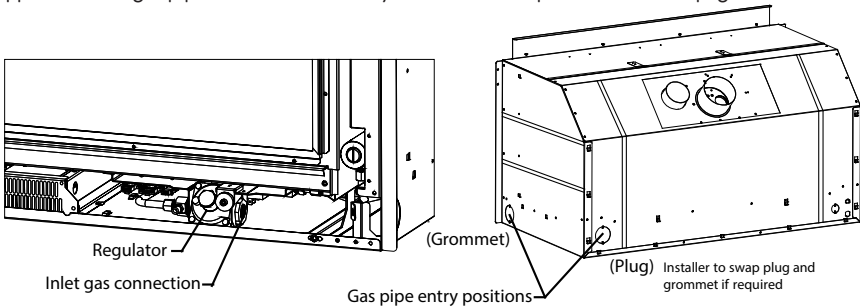
E Installing the Appliance

E1 Installation

NOTE: Ensure the wall has been lined and finished (plastered/painted/covered) before starting the appliance install. Plug the powerflue electrical cable into the appliance in the back right hand side.



With the appliance electrical cord plugged into the outlet in the cavity, carefully place the appliance on the cavity base and push it into the cavity. Bring the gas connection through the outer shell of the appliance and connect it to the regulator on the bottom right hand side of the appliance. The gas pipe should have already been tested as per section C on page 12.



NOTE: If using rear entry for gas pipe (shown above), re-use the plug from the side entry position.
NOTE: The regulator that is supplied with the fire **MUST NOT BE REMOVED**. Removal of the regulator, or replacing it with one not intended for use with an Escea fire, will void the limited appliance warranty.

E2 Connecting the Network Cable

If a network cable is being installed for a wired connection to an internet router/network (as per Section C2 on page 12) then bring the cable through the chassis as described earlier and attach it to the correct socket inside the electronic tray.



Remove the electronic tray by unscrewing the two screws at the front and pulling the tray forward and over the lip in the front of the chassis. Unscrew the four screws in the top and remove the lid. Bring the network cable through the side of the tray and plug it into the network socket. Replace the lid and electronic tray by reversing the steps above. Ensure the network cable does not interfere with the pressure switch hoses beneath the firebox and does not rest against the firebox bottom surface.

E3 Connecting the Flue

Remove the lid of the appliance by removing the two screws on either side of the top front of the appliance.

If there is not enough room to reach into the cavity the appliance may need to be pulled forward slightly out of the cavity. Stretch out the last 300mm of the flues, and reach through into the cavity and connect both the inlet flue (Ø75mm) and the exhaust flue (Ø100mm) to their respective spigots on the rear of the appliance. Orientate and position the hose band clamps to provide easy access from the front of the appliance. Tighten the flue onto the spigots by the use of the hose clamps (provided). Ensure the flue connection is as sound as possible and that the flue connection is air tight.

E4 Fixing the Appliance to the Base and Wall

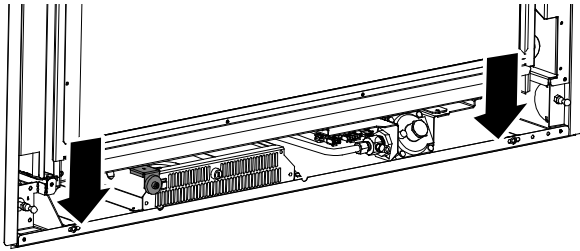
There are several ways that the appliance can be fixed against movement: It is a requirement that this appliance be securely fastened to the wall and base.

NOTE: It is important that the outer fascia is used during this process to ensure that the appliance is located in the appropriate position within the cavity.

E5 Fixing Appliance to Base

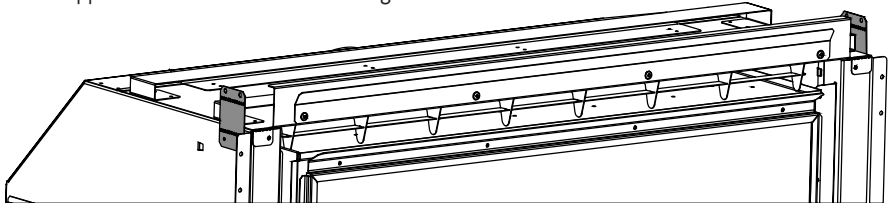
The appliance has several holes along the front edge of the base panel that have been provided to allow installers to screw the appliance to the floor. Because of a lack of access for drilling it may be necessary to mark the appropriate location for these screws and then remove the appliance and drill holes into hard flooring.

Alternatively a socket set can be used to drive in hex headed screws.



E6 Fixing Appliance to Wall

The installer must also fix the appliance to the sides of the cavity using the brackets on the side of the appliance shown below. These flanges can be bent to accommodate the installation.

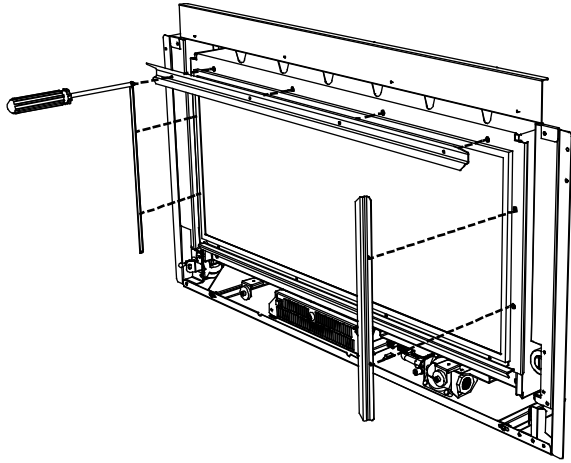


E7 Removing the Glass

Unscrew the top glass retainer bracket and the two side glass retainer brackets. Take care that the glass does not fall forward at this stage.

Pull the top of the glass toward you slightly and lift the glass out of the bottom glass retainer. You may need to tilt the glass to achieve this.

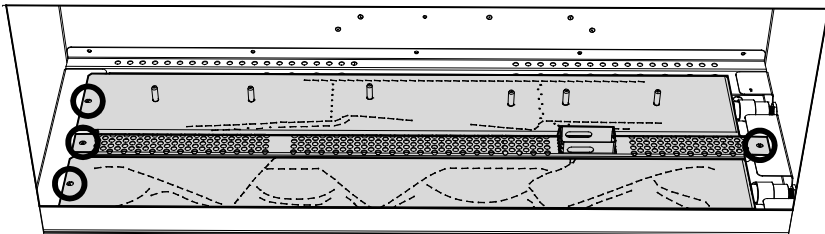
Place the glass carefully aside. Note that the fibreglass tape around the glass can mark carpet and furnishings.



E8 Converting the Appliance Gas Type

This appliance has been factory set to operate on Natural Gas only. To convert the appliance to operate on **propane or ULPG**, proceed as follows:

- Remove the small perforated shroud on the right hand side of the firebox.
- Remove the 2 screws securing the burners in place and lift out the burners as shown.
- Remove the 2 screws securing the pilot guard shown below and lift it out.



Jets	DL850 Front	DL850 Rear	DL1100 Front	DL1100 Rear
NG	Ø2.45mm	Ø2.3mm	Ø2.6mm	Ø2.6mm
Propane	Ø1.4mm	Ø1.3mm	Ø1.4mm	Ø1.3mm
ULPG	Ø1.2mm	Ø1.1mm	Ø1.3mm	Ø1.2mm

- Remove both burner jets and replace with the correct jets as stated in the above table.
- Remove the 2 screws securing the Pilot Cover Plates and slide these out as shown on following page.
- Remove the 4 screws securing the pilot bracket and lift out the bracket and pilot hood assembly.
- Remove (unscrew) the existing pilot jet and replace with the jet marked red supplied in the conversion kit.
- Refit the pilot bracket / Hood assembly and pilot cover plates.

NOTE: Ensure the orientation of the pilot gas ports is as shown in section E9 on page 28.

- Remove the aeration collars from both burners
- Refit the pilot guard and then burners.
- Turn the restrictor indicator to the vertical position as shown.
- Remove the regulator screw cap and screw out the nylon adjuster screw to remove the existing spring.
- Replace the spring with the purple spring supplied in the conversion kit and reassemble the regulator.
- Adjust operating pressure to **2.3kPa for DL1100 (Propane / ULPG) and the DL850 (Propane) OR 2.6kPa for DL850 (ULPG)** by turning the nylon adjuster screw whilst the appliance is running on maximum.
- Adhere the Conversion label over the top of the Natural Gas data on the appliance data plate.
- Adhere the 'Propane' or 'ULPG' label over the top of the existing Natural Gas label on the side of the appliance (if accessible).

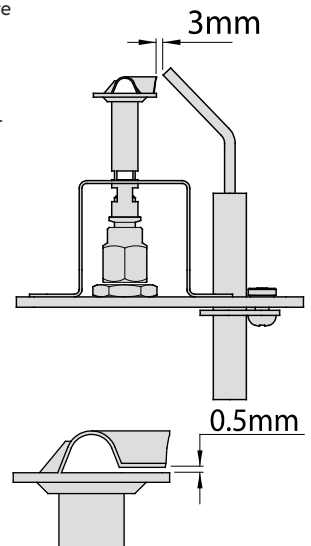
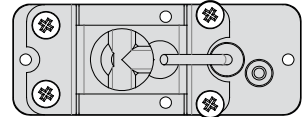
E9 Checking the Pilot Ignition

The placement of the electrode is **CRITICAL** to the operation of the fire. The gap is factory set but in the event that the electrode or pilot hood have moved during installation or the fire is having trouble lighting or staying lit then below is a guide to electrode placement. Ensure no logs, coals, stones or pieces of Crystalight have worked their way around the pilot guard and are touching the electrode or pilot hood.

If the appliance has difficulty igniting, ensure that the pilot hood has the correct gap for the gas to escape from using feeler gauges.

Ensure there is not an excessive carbon build up on either the electrode or the pilot hood. Clean them if necessary.

As shown below, check (and if necessary, set) the gap between the 3 pilot ports to 0.5mm



A

B

C

D

E

F

G

SERVICE

E10 Log Fuel Bed Installation

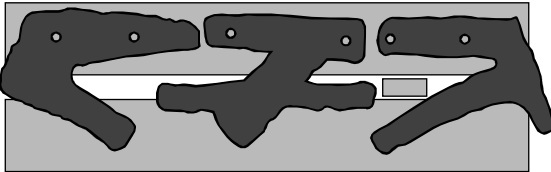
NOTE: There are several types of fuel bed for the DL850 and DL1100. Please check which fuel bed you have been supplied with and follow the installation instructions for that fuel bed carefully.

Starting at the right hand side, place the 'v' shaped log in place, using the pins on the rear burner to line up with the holes in the base of the log. Ensure the port pattern follows the log shape:

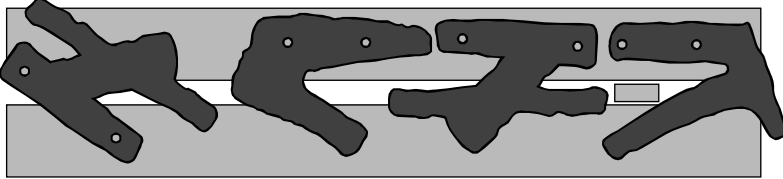


Place the other logs using the same method as above, using the diagrams below to ensure correct log placement.

DL850



DL1100



Pour the supplied 'embers' into all the visible gaps around the logs, being careful to avoid letting any fall down between the pilot head, spark electrode, and pilot guard. If possible keep the area where the pilot hood flame is directed at the burner ports clear. Cover the entire exposed burner top with a single layer of 'embers'.



Replace the glass and the three glass retainers.

NOTE: Improper positioning of logs may create carbon build-up and will alter the unit's performance. Malfunctioning due to improper log placement is not covered under warranty.

E11 River Stone or Coal (Pebbles) Fuel Bed Installation

NOTE: There are several types of fuel bed for the DL850 and DL1100. Please check which fuel bed you have been supplied with and follow the installation instructions for that fuel bed carefully.

Place all the River Stones or Coals in a single layer atop the burners, covering the entire area. Be careful to avoid letting any fall down between the pilot head, spark electrode and pilot guard, and if possible keep the area where the pilot hood flame is directed at the burner ports clear to aid reliable ignition.



Replace the glass and the three glass retainers.

NOTE: Improper positioning of Stones/Coals/Pebbles may create carbon build-up and will alter the unit's performance. Malfunctioning due to improper Stone/Coal/Pebble placement is not covered under warranty.

E12 Crystalight Fuel Bed Installation

NOTE: There are several types of fuel bed for the DL850 and DL1100. Please check which fuel bed you have been supplied with and follow the installation instructions for that fuel bed carefully.

Place all the Crystalight pieces in a SINGLE LAYER atop the burners, covering the entire area. Be careful to avoid letting any fall down between the pilot head, spark electrode and pilot guard, and if possible keep the area where the pilot hood flame is directed at the burner ports clear.

Replace the glass and the three glass retainers.

NOTE: Improper positioning of Crystalight may create carbon build-up and will alter the unit's performance. Malfunctioning due to improper Crystalight placement is not covered under warranty.

E13 Crystalight and Driftwood Fuel Bed Installation

Install the Crystalight as per E12 on page 30. Once the Crystalight has been evenly spread across the base of the firebox place the supplied driftwood on top of the Crystalight as shown:

A

B

C

D

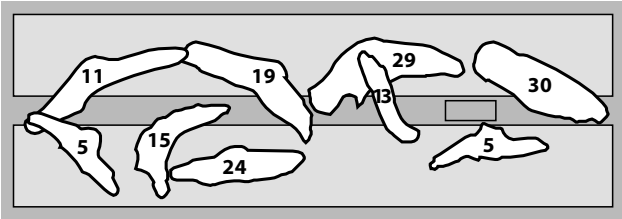
E

F

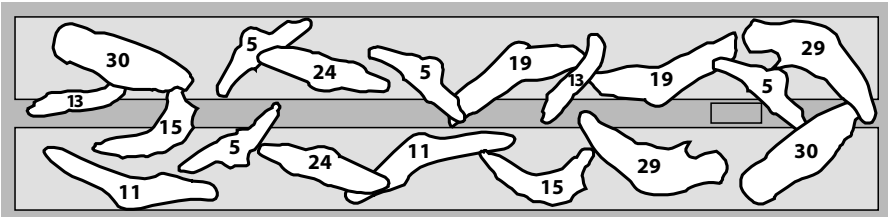
G

SERVICE

DL850



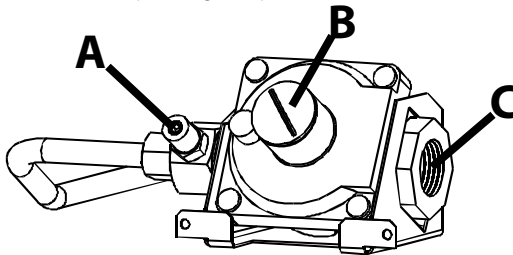
DL1100



E14 Checking the Operating Pressure

WARNING: The regulator that is supplied with the fire **MUST NOT BE REMOVED**. Removal of the regulator, or replacing it with one not intended for use with an Escea fire, will void the limited appliance warranty.

Check the operating pressure at the regulator located at the front RH corner of the appliance. This is best done before the fascia panels have been fitted to avoid fascia damage. A pressure test point is available for the operating pressure (as shown below).



A = Operating Pressure test point

B = Pressure adjustment screw (To access first remove metal cap)

C = Inlet gas connection (1/2" Female BSPT)

Check the inlet pressure to the appliance. Attach manometer tube to the first test point upstream of the appliance (typically at the gas utility meter or auto change device for a propane bottle station).

Run the heater on full (both burners running) and measure inlet pressure with all the other gas appliances in the building running. If pressure does not fall within the maximum or minimum pressures listed on the table below then reassess installation pipe size or upstream regulator settings.

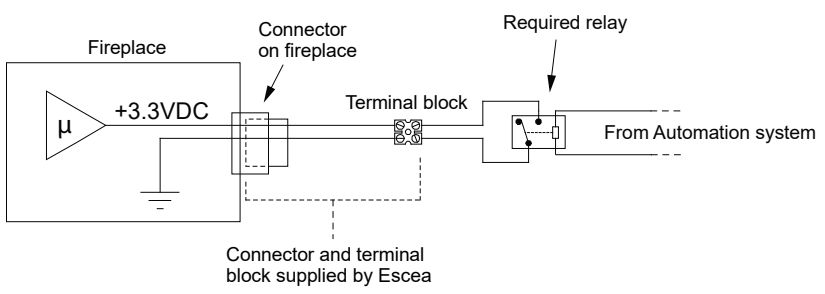
- Remove the operating pressure test point screw. Connect manometer tube and measure pressure with heater running on full (both burners running) and with all the other gas appliances in the building running.
- If the appliance has not had a gas type conversion on installation, then the appliance regulator pressure has been factory set to 1.0kPa. Please check that the operating pressure is exactly as listed and if not, adjust the screw in the centre of the regulator until the pressure is correct.
- Replace operating test point screw and leak test both test points.

	Operating Pressures	Propane	Natural Gas	ULPG
DL850	Minimum inlet pressure	2.75kPa	1.13kPa	2.75kPa
	Maximum inlet pressure	5.0kPa	5.0kPa	5.0kPa
	Operating pressure	2.30kPa	1.0kPa	2.60kPa
DL1100	Minimum inlet pressure	2.75kPa	1.13kPa	2.75kPa
	Maximum inlet pressure	5.0kPa	5.0kPa	5.0kPa
	Operating pressure	2.30kPa	1.0kPa	2.30kPa

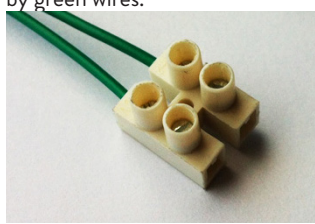
E15 Home Automation Setup

Escea D-Series fireplaces have a simple interface for connection to a home automation system. This allows the fireplace to be woken up, started, and then shut down. The “Close to Wake” connection (shown below) is essentially taking one of the 3.3 volt DC pins on the fireplace microcontroller and shorting it to ground.

In order to isolate the fireplace from the automation system, a relay needs to be used (as shown). This allows you to keep the fireplace’s 3.3V supply isolated.



The home automation connection can be found inside the DL850 and DL1100 electronic tray (for access instructions see section E2). The socket is shown to the right and can be identified by green wires.



Home Automation Operation:

Relay closed

The fireplace will start in a medium setting until the remote control talks to the fireplace and picks up the 'ON' signal (which can take up to 4 minutes). Once the remote has communicated with the fireplace it will turn on and begin operating thermostatically. The remote will use whatever temperature the user has previously set and cannot be altered by the home automation system. The fireplace will continue to operate while the relay is closed.

Note: If the fireplace cannot communicate with the remote controller within 10 minutes of the relay contact closure then the fireplace will shut down and return to standby. The remote controller is required to be operating within range of the fireplace for its safe operation.

Relay open

If the fireplace is operating with a closed relay then, upon opening the relay contacts, the fireplace will shut down and return the remote controller to its standby mode when it next updates (which can take up to 4 minutes). While the relay is open the fireplace will be in standby mode and available for manual operation by the user.

END OF SECTION E

By the end of this section, you should have:

- The appliance installed in the cavity
- The appliance fixed to the cavity base and wall lining
- The appliance plugged into a mains electricity supply
- The selected fuel bed installed and glass in place
- The appliance gas supply attached and pressure tested with all other gas appliances running
- Checked that the appliance ignites reliably and safely at least three times

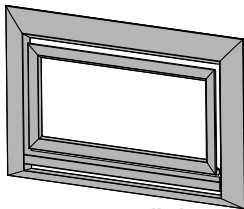
F Fitting the Fascia and Finishing Installation

F1 Fitting the Fascia Panels

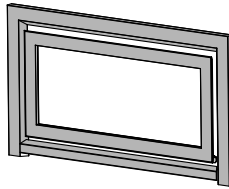
To avoid scratches or knocks to the fascia panels of this heater they must be fitted at the complete conclusion of the installation process. It may be necessary to use the outer fascia to initially locate the heater but then remove it again so that there is no chance of damage. Use the soft gloves provided whenever handling the fascia.

Never rub the fascia panels. Refer to cleaning instructions supplied with fascia.

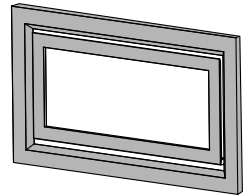
There are three fascia types available with the DL850 / DL1100:



Bevelled



Inset



Squared

The fascia installation will depend on the fascia and cavity type. For:

Bevelled, see section **F2 on page 35**,

Squared, see section **F3 on page 37**,

Inset, see section **F4 on page 39**.

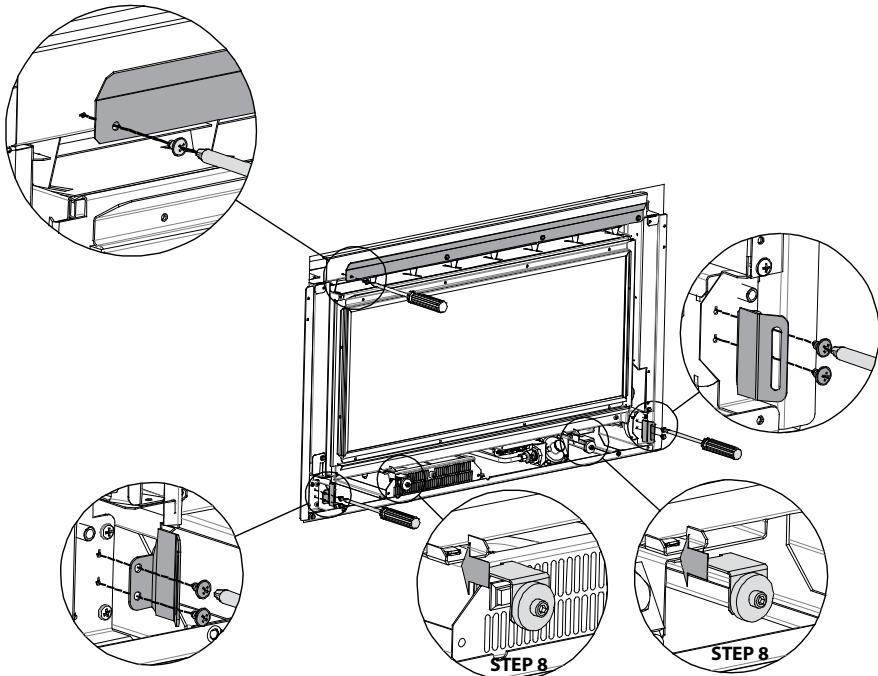
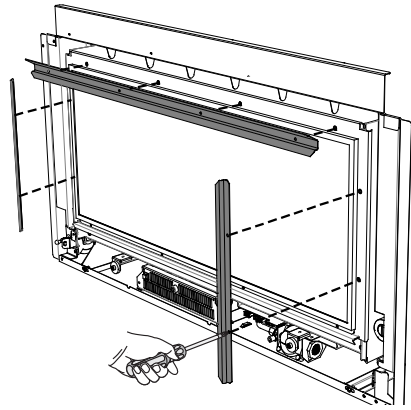
F2 Fitting the Bevelled Sided Fascia Panels

Step 1: Ensure the glass and all glass retainers are securely fitted.

NOTE: If the glass gasket requires a replacement, call your nearest Escea agent who will ensure the part is replaced with the correct type. In the event that the glass is broken by impact, purchase the replacement from an authorised Escea agent only.

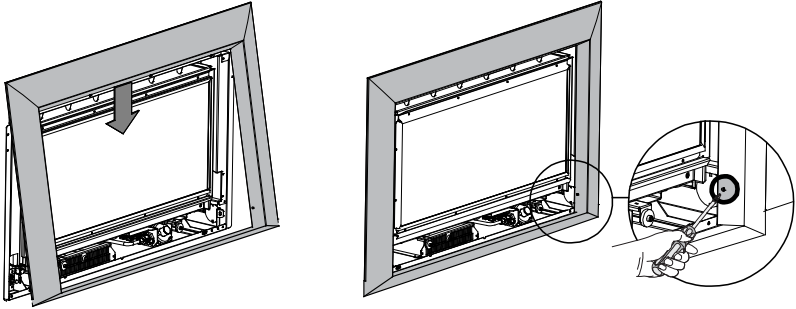
Step 2: Attach the Bevelled Outer Fascia Bracket to the top lid as shown below.

Step 3: Fit the Bevelled Outer Fascia brackets to the bottom left and right sides of the appliance as shown.

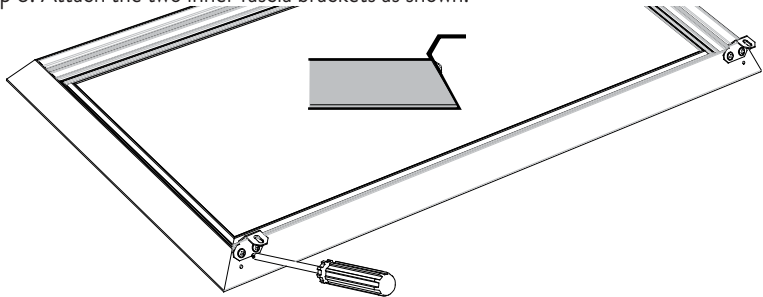


Step 4: Wearing the fabric gloves supplied with your fascia kit, hang the Outer Fascia from the Bevelled Outer Fascia Bracket attached to the top lid as shown.

Step 5: Check that the Outer Fascia is centred on the chassis. Screw the Outer Fascia to the chassis at the bottom left and right of the Outer Fascia as shown.

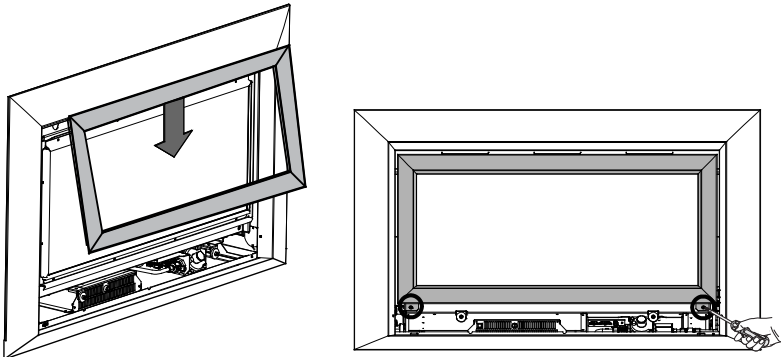


Step 6: Attach the two inner fascia brackets as shown.

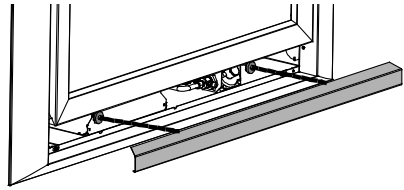


Step 7: Hang the Inner Fascia from the metal bracket on the front of the firebox. Centre the Inner Fascia relative to the Outer Fascia.

Step 8: Screw the Inner Fascia to the bottom left and right of the firebox as shown.



Step 9: Push the supplied magnet brackets into position. Place the bottom fascia trim onto the magnets. If this panel does not fit, adjust the outer fascia side to side or the appliance in/out until the trim fits well.



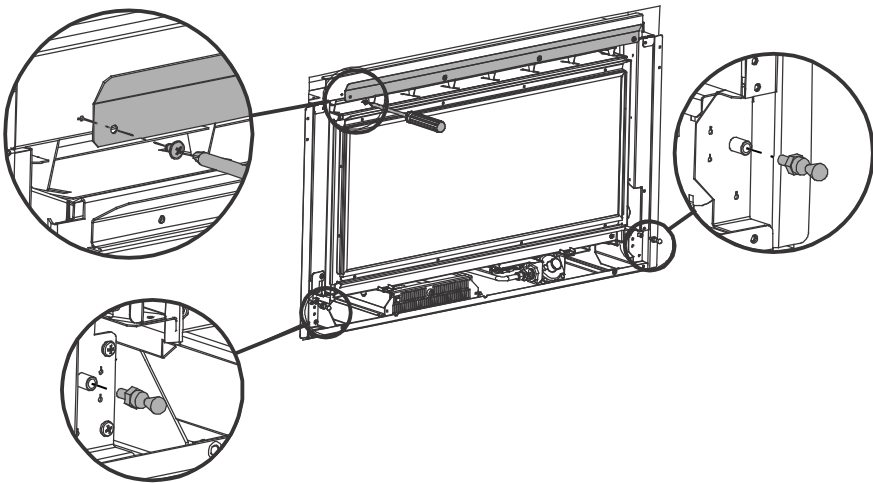
F3 Fitting the Squared Fascia Panels

Step 1: Ensure the glass and all glass retainers are securely fitted

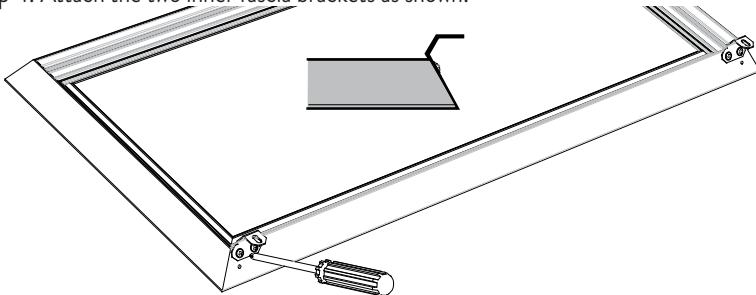
NOTE: If the glass gasket requires a replacement, call your nearest Escea agent who will ensure the part is replaced with the correct type. In the event that the glass is broken by impact, purchase the replacement from an authorised Escea agent only.

Step 2: Attach the outer fascia bracket to the top lid as shown below.

Step 3: Screw the two Outer Fascia studs into the two brackets at the bottom left and right of the appliance as shown below.

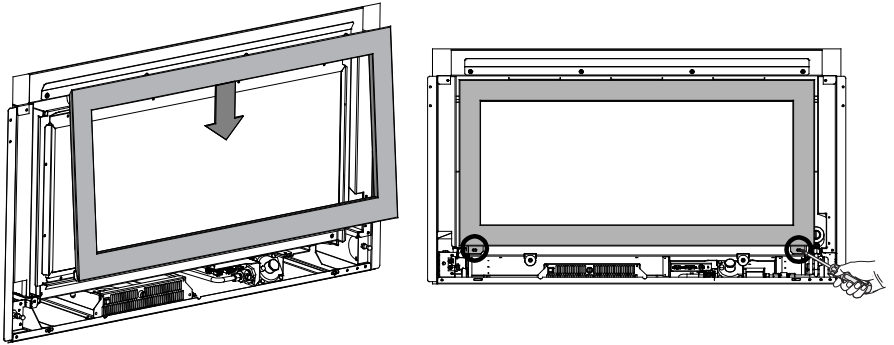


Step 4: Attach the two inner fascia brackets as shown:

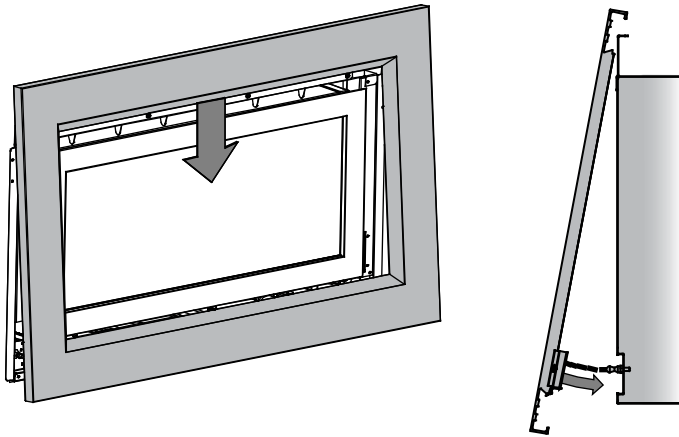


Step 5: Hang the Inner Fascia from the metal bracket on the front of the firebox.

Step 6: Screw the Inner Fascia to the bottom left and right of the firebox as shown below.



Step 7: The Outer Fascia is now fitted over the top of the Inner Fascia. Hang the Outer Fascia (larger one) from the 30 degree flange at the top of the fireplace, being very careful not to damage either the Inner or Outer Fascias as there is not a lot of room to fit the Outer over the Inner. Once the Fascia is hung on this flange and clear of the Inner Fascia it will swing down and press firmly into place.



TAKE CARE: When securing the outer fascia, ensure it does not hit the inner fascia.

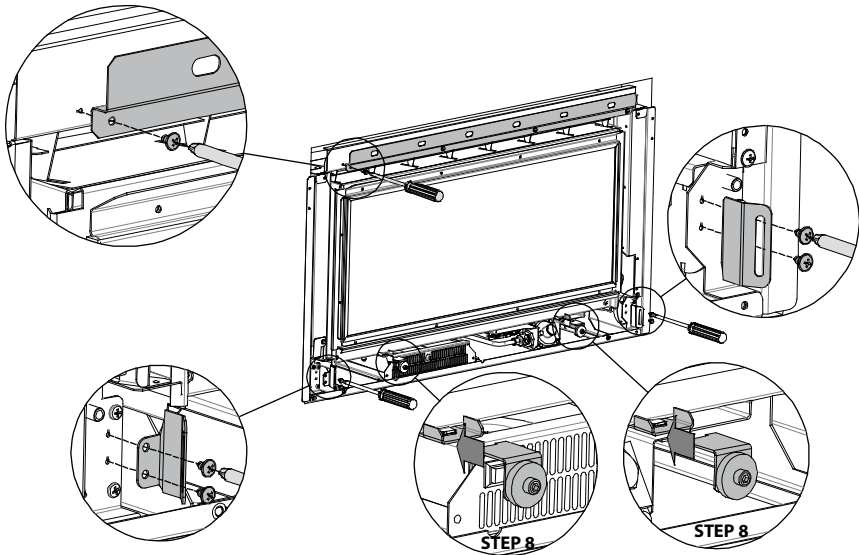
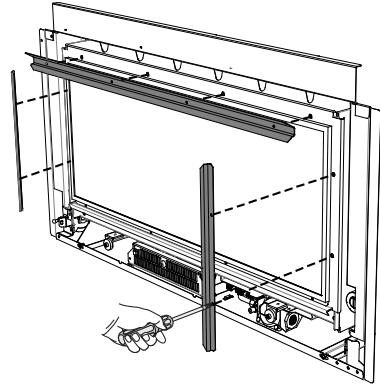
Step 8: Once it has clipped onto the fireplace check that the Fascia is parallel with the wall. The fascia installation is now complete.

F4 Fitting the Inset Fascia Panels

Step 1: Ensure the glass and all glass retainers are securely fitted. *NOTE: If the glass gasket requires a replacement, call your nearest Escea agent who will ensure the part is replaced with the correct type. In the event that the glass is broken by impact, purchase the replacement from an authorised Escea agent only.*

Step 2: Attach the Inset Outer Fascia Bracket to the top lid as shown below. Note: Ensure the correct orientation of the bracket. If the bracket is installed upside down, the fascia will not fit.

Step 3: Fit the Inset Outer Fascia brackets to the bottom left and right sides of the appliance as shown below.



A

B

C

D

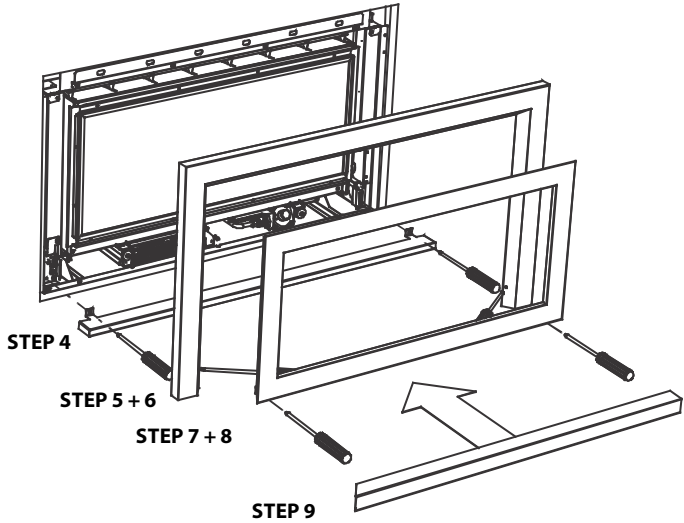
E

F

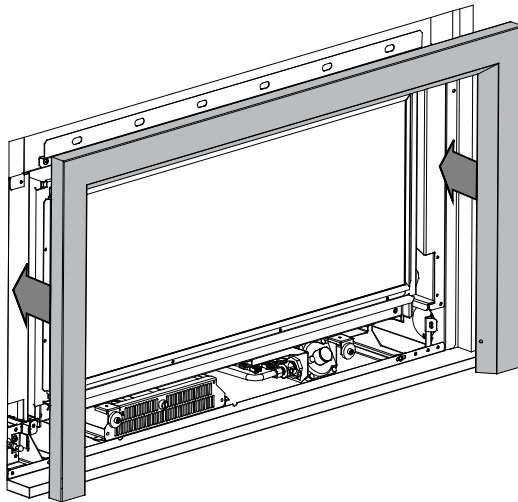
G

SERVICE

Step 4: Attach the lower foot to the fascia by screwing it in the positions shown below.

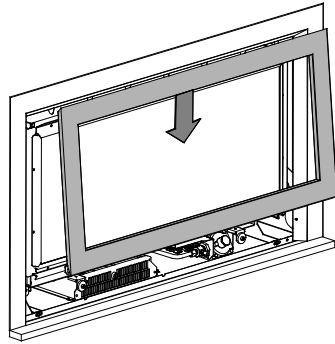


Step 5: Hang the Outer Fascia from the magnet bracket attached to the top of the firebox. Insert the fascia so that it is parallel with the front of the gas fireplace. The Hex-nuts attaching the magnets to the fascia will locate in the holes on the magnet bracket, securing the Outer Fascia in the correct position. If this fascia does not fit, check to make sure the magnet bracket installed above is in the correct orientation.

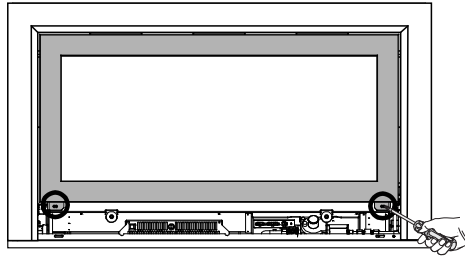


Step 6: Fit the two screws at the base of each side of this fascia. The heater may have to be adjusted in or out of the cavity to ensure fascia fits correctly.

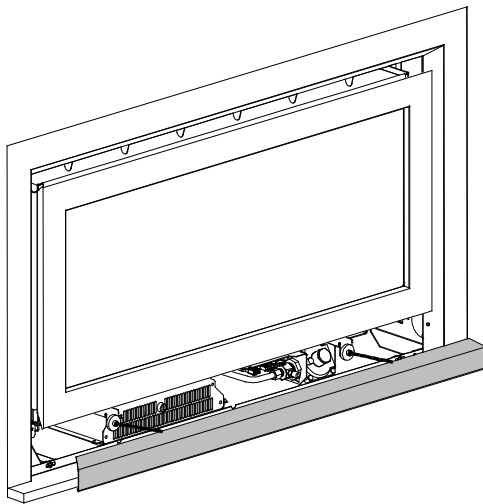
Step 7: Attach the inner fascia brackets to the Inner Fascia as per the instruction page supplied with the fascia. Hang the top edge of the Inner Fascia from the lip that extends at 45 degrees from the top of the firebox. This fascia is attached to the fire at its base by two screws. Leave the screws loose enough to be able to adjust the Inner Fascia.



Step 8: Check that the Inner Fascia is centred. If this panel is not centred, adjust the Inner Fascia side to side until the spaces on either side are even. Tighten the screws to fix the Inner Fascia in place.



Step 9: Push the supplied magnet brackets into position. Place the bottom fascia trim onto the magnets. If this panel does not fit, adjust the outer fascia side to side or the appliance in/out until the trim fits well.



F5 Locating Wall Mount Cradle for Wireless Control

The appliance's remote contains the thermostat that will sense the room temperature and communicate this back to the heater via radio frequency.

A wall mount cradle has been provided for the wireless control and where possible the control should be housed in this cradle.

The location of this cradle should be decided by taking into account the following factors;

- Simple, convenient access for the user
- Away from air flow and drafts through the room
- The parts of the room that people are likely to spend time
- Away from direct sun light
- A suitable distance away from the heater
- Ideally 1.2m to 1.5m from the floor

The radio frequency signal will go through some walls but for best results Escea suggest that the cradle position is between 1 and 5 metres away from the heater.

Please ensure that cradle is screwed firmly onto the wall using the screws provided.

F6 Operating the Appliance for the First Time:

Remove the battery cover on the rear of the remote. Insert the new "AA" size batteries, paying attention to the polarity.

You should now see on the display of the remote the time showing "0:00".

To turn the fire on, press the "POWER" button once, and within a few seconds the appliance will begin its startup sequence.

NOTE: The appliance begins its startup with a thirty second pre-start purge, where the combustion fan runs on its own to clear the firebox before it tries to ignite. During the pre-purge the remote will alternately show the remote's "Set" temperature and a rotating segment indicator to show that the fire is in start up mode and will try to ignite.

When the appliance has lit, set the room temperature by pressing the 'plus' or 'minus' button repeatedly until the display is showing the desired temperature. The remote will then revert back to the 'current' room temperature 30 seconds after making the change.

Run the appliance on full for an hour with the windows and doors open in the dwelling. This will ensure any running-in smells have the chance to dissipate.

The appliance is turned off by pressing the "POWER" button once more. The remote will display the time only.

Run the appliance again and check the operation of the thermostat by increasing and reducing the set temperature. Check the Flame Effect function and the Fan Boost functions work correctly.

For further operation instructions please refer to the User Guide.

F7 Normal Operating Sounds and Smells:

NOTE: Each time the fire is lit from cold the glass may fog up with condensation. This is normal and the condensation will disappear within a few minutes once the glass heats up.

Sounds

It is possible that you will hear some sounds from your gas appliance. This is perfectly normal due to the fact that there are various types of materials used within your appliance. Listed below are some examples. These are all normal operating sounds and should not be considered as defects in your appliance.

- **Fan**
Escea gas appliances use electric fans to push heated air further into the room. It is not unusual for the fan to make a “whirring” sound when ON. This sound will increase or decrease in volume depending on the speed setting of your fan.
- **Gas Control Valve**
As the gas control valves turn ON and OFF, a dull clicking sound may be audible, this is the normal operation of a valve. When the fire is switched off after being run for a while, there may be popping and fluttering noises as the residual gas in the burners burns away. These are normal and should be no cause for concern.
- **Unit Body/Firebox**
Different types and thicknesses of steel will expand and contract at different rates resulting in some “cracking” and “ticking” sounds being heard throughout the heating and cool down processes.

Smells

The first few times the unit is operated, the unit may release an odour and the flames will appear orange caused by the curing of the paint, the burning off of the starch in the gas logs and the oils in the metal. This is a temporary curing process which will disappear with use.

F8 Cleaning the Glass

A deposit on the inside of the glass, caused by the starch in the logs, may appear as a build up after several uses. If this film is not removed, it will bake on and may become difficult to remove. When the glass is cold, remove it and clean the inside with a non-abrasive cleaner. **DO NOT ATTEMPT TO CLEAN THE GLASS WHILE IT IS HOT. NEVER OPERATE THE UNIT WITH THE GLASS REMOVED.**

END OF SECTION F

By the end of this section, you should have:

- A completely fitted fascia
- The remote control mounted on its cradle on a wall
- Operated the fire and verified that it lights reliably and safely
- Run the appliance on full for an hour with the doors & windows open
- Checked the operation of the thermostat, Flame Effect & Fan Boost functions

G Installation Checklist

Go through the following checklist to ensure you have installed the appliance correctly

- Correctly sized cavity to suit your fascia and flue configuration
- Correct clearances to combustibles and mantles around the fascia
- An electrical isolating switch to the appliance, accessible after finished installation
- Correctly sized gas supply with a pressure test point, ensuring adequate supply with all other gas appliances in the dwelling running
- A weather-tight installed Horizontal or Vertical Powerflue Terminal with clearance as specified by AS/NZ5601
- Reasonable access to the outside face of the Horizontal Powerflue Wall Terminal for maintenance purposes OR
- Access to the Vertical Power Flue Enclosure for maintenance purpose
- Flue attached to the rear/bottom of the Powerflue Terminal leading back to the appliance
- The electrical cable from the Powerflue Terminal attached to the rear of the installation and run back to the appliance cavity in an electrically safe manner
- The appliance fixed to the cavity base and wall lining
- The appliance plugged into a mains electricity supply
- All gas joints and pressure points leak tested, and soapy water and drop tests completed on gas pipework
- Gas type conversion process carried out if required
- Log, coal, river stone or crystalight fuel bed correctly installed
- Glass correctly fitted
- A completely fitted fascia
- The remote control mounted on its cradle on a wall
- Operated the fire and verified that it lights reliably and safely
- Run the appliance on full for an hour with the doors & windows open
- Appliance functions checked, including thermostat operation, Flame Effect and Fan Boost
- Dwelling owner shown how to operate the appliance correctly
- Warranty card filled in with installer details and appliance serial number
- User Guide made available for end user
- Plumbing Industry Commission Compliance Certificate given to end user

A

B

C

D

E

F

G

SERVICE

SERVICE	G	F	E	D	C	B	A
---------	---	---	---	---	---	---	---



IMPORTANT:

- This appliance must be serviced every 12 months.
- Any service operation should be carried out only by a suitably qualified and trained person.
- Gas and electricity supply **MUST** be isolated before any service operation is carried out on this appliance.
- This manual should be left with the appliance.
- **DO NOT MODIFY THIS APPLIANCE.**

S1 Error Codes

This gas fire has been designed to show error codes to help explain and identify any fault situation that occurs. These codes will appear on the wireless remote control in the form of a large letter “E” with a number beside it. Codes can normally be reset by turning the heater off then on again at the mains power wall switch.

The following table shows what each code means and possible ways to rectify the situation. In the case of persistent or repeated shutdown errors, action must be taken immediately to find and repair the fault.

Error Code	Suggestion action
 <p>Electronics Over Temp</p>	<p>The electronics have gone over temperature.</p> <ul style="list-style-type: none"> • Check for excess lint and dust build-up on the front of the controller tray. • Check that fascia panels are installed correctly as incorrect installation may result in restricted air flow. • Room air fans may be slowed or stalled. Remove firebox, check that fans are plugged in, clean, and free turning. <p><i>Note: This error has a permanent lock out and will require the unit to be reset after the initial error (turning the power to the fire off “at the wall” then on again after a few seconds).</i></p>
 <p>Flame Failure or Power Flue trip</p>	<p>The fire has tried to light three times and failed.</p> <ul style="list-style-type: none"> • Check gas supply and check other gas appliances to see if they are affected. If you have two separate LPG cylinders, switch over to the full bottle or contact your gas supplier. You may need to retry igniting the fire a few times after re-establishing gas supply. • Check the electrode placement in relation to the pilot flame. Ensure it is well enveloped in flame as per the diagram in the installation instructions. Ensure no small coals have dropped onto the ignition electrodes between the burners.



Appliance Over
Temperature
Sensor Trip

The bimetallic snap disk mounted on the exhaust collector box has tripped.

- Check that fascia panels are installed correctly as incorrect installation may result in restricted air flow.
- Check that fans are plugged in, cleaned, and free turning - room air fans may be slowed or stalled.
- Check the regulator - being set too high may result in excess heat build-up.
- Check flues are securely connected at both ends - if the inlet flue is not connected the appliance may draw warm air from the cavity.



Valve Solenoid
Check Failure

The valve solenoids have failed the pre-ignition test. A wire may have dislodged or the valve solenoid is faulty.

- Check that the connections to each solenoid are secure and in place. The connections on the ends of the wires may need to be tightened (e.g. with a pair of pliers) to ensure a robust connection to the valve terminal.
- Disconnect and reconnect the firebox connectors ensuring they are firmly pushed into place.
- One of the solenoids on the valve inside the fire may have failed. If this is the case, the valve will need to be replaced.



Remote Cannot
communicate with
fire

The remote cannot communicate with the fire.

- Check if the fire is turned off "at the wall" i.e. a loss of power to the fire or the remote is outside of its effective radio frequency range (too far away from the fire). Typical remote range is 1m to 10m.
- Ensure there is power to the fire by pressing the auxiliary on/off (red) button on the fire, then press the on/off button on the remote to clear the error.



Combustion Air
Flow Error

- Check whether the pressure switch is activating at startup (there is an orange indicator LED in the control tray). If not, check that the pressure switch electrical connection is correct.
- Check that the hoses are connected at both ends. Ensure the hoses are not kinked.
- Ensure the pressure switch is mounted vertically and the diaphragm is operational. The black hose should be connected to the low pressure port and the translucent to the high pressure port
- Check that both flues are securely connected at both ends to the appliance and the powerflue wall terminal and that the flue is not damaged
- Check that the fan inside the powerflue wall terminal is running during startup. This fan may need servicing if it is slowed or stalled.

S2 Serial Number

The serial number for the fire can be found in two places. The first is in the battery compartment of the wireless remote under the batteries. The second is on the data sticker on the chassis under the firebox on the left hand side.

S3 Checking Operating Pressure

See section E14 on page 31 of this manual.

S4 Cleaning the Log Set, Fascia, and Glass

The outside of an Escea Fascia must only be cleaned with a soft microfibre cloth. If heavier cleaning is required for the likes of grease or stubborn fingerprint removal we recommend the use of a dedicated stainless steel cleaner for stainless steel fascias or warm soapy water for powder coated fascias.

NEVER RUB THE FASCIA.

For Stainless Steel Fascias:

1. Ensure that the Gas Fireplace is off and that the fascia is cold to the touch.
2. Using the gloves provided with your fascia, a stainless steel cleaner and a clean cloth, apply a small amount of cleaner to the cloth and wipe the fascia with even, straight strokes.
3. Make sure your strokes follow the direction of the grain or brush finish. Wiping across the grain can leave small scratches.
4. The cleaner may leave a very fine film over the fascia, ensure this film is distributed evenly.
5. If the film is applied too heavily and is quite visible, you can remove the excess by gently wiping dry with a microfibre cloth. Ensure your strokes still follow the direction of the grain or brush finish.
6. Ensure that no film is applied to the glass of your Escea Gas Fireplace. If applied accidentally, wipe off with an absorbent microfibre cloth.

For Powder Coated Fascias:

1. Ensure that the Gas Fireplace is off and that the fascia is cold to the touch.
2. Using the gloves provided with your fascia, gently clean the fascia with a cloth and warm soapy water.
3. Wipe off with an absorbent microfibre cloth.

This is a service procedure that will need to be carried out whenever soot builds up on logs and/or inside of glass. If soot build up becomes excessive or regular then one of the following actions may be required;

- Reset gas pressure, pressure may be too high;
- Reposition log set so that front edge of each log is just behind each row of holes in burner top;
- Clear any blockage from primary air port of burner;
- Check flue tube is not damaged or disconnected.

For diagrams and further info on removing your fascia, reverse the steps found in section F on page 34.

- Remove fascia bottom panel by pulling it off the magnets that retain it to the fire. Remove the 2 screws holding the inner fascia, lift off the inner fascia by pulling the base of the inner fascia out and lifting it up and off.

- Unscrew the side and top glass retainers and remove them. Take care that the glass does not fall forwards at this stage.
- Lift out glass and place it carefully aside.
- Take out fuel bed and gently brush any soot from log with a soft hearth brush. The burner tops can be vacuumed to remove any excess material.
- Clean the inside and outside of glass with normal glass cleaning products. Use a CLEAN DRY cloth only. Stubborn marks may be cleaned with a ceramic glass cleaner.
- Replace in opposite order and test run heater.

S5 Servicing the Horizontal Powerflue Wall Terminal

If the horizontal powerflue wall terminal needs servicing, the fan can be accessed from the outside of the installation.

Ensure the power to the horizontal powerflue wall terminal is off by disconnecting the power to the appliance inside. If the appliance has been running, allow the terminal to cool before attempting to service it.

Undo the ten screws holding the outer cowl in place and pull the whole plate and cowl directly outwards.

NOTE: Be careful of any flashing that may have been installed above the terminal.

Removing this plate gives complete access to the fan for servicing or replacement.

Check that all the seals are still intact. Check the fan electrical terminals, motor and impellor are not corroded. Ensure there is no signs of leakage in or around the terminal.

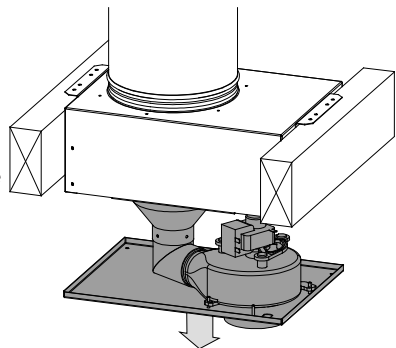
When reassembling the terminal, line up the round silicon grommets with the outlet tube of the fan and push the cowl back into place. Ensure all seals are still in place and replace all of the screws to hold the cowl in the correct position.

Servicing a Vertical Powerflue

If the vertical powerflue needs servicing the fan can be accessed without disturbing the final twin walled flue length or roof terminal.

To gain access to the fan and electrical terminals remove the eight screws that hold the base of the Powerflue to the lid, making sure to support the base while removing the screws.

NOTE: When inspecting or working on the powerflue take care not to damage the two flexible flue pipes that connect to the powerflue base.



Once the base has been removed clean away any dust or debris found and check that the fan 49

electrical terminals, motor and impeller are not corroded. Also check for signs of leakage in or around the Powerflue.

When reassembling the powerflue support the base under the lid and replace the 8 securing screws. After assembly check that the two flexible flue pipes are sealed and not damaged and that the twin walled final flue length and roof terminal are still sealed.

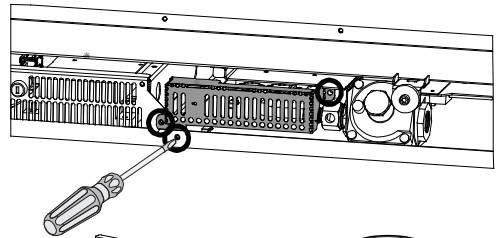
NOTE: Take care not to trap any wires between the base and lid of the powerflue when reassembling.

S6 Removing or Cleaning the Fan

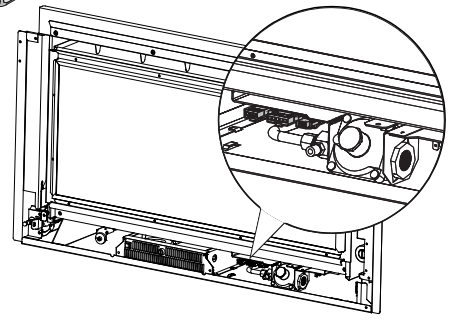
As part of regular service procedure, it is recommended that the fan is removed for cleaning. Dust will build up on the fan rotor and in the cavity where the fan is located. This can be removed by the service person using a hearth brush and a vacuum cleaner. ISOLATE THE POWER AND GAS SUPPLY TO THE FIRE BEFORE COMMENCING THIS PROCEEDURE

Step 1: Remove the inner/outer fascia, front glass, and log set as described in section S4 on page 48.

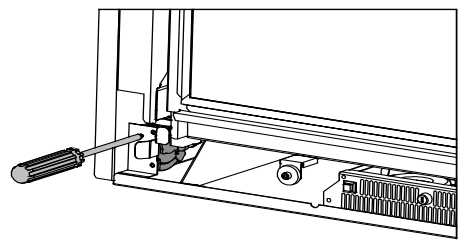
Step 2: Remove the guard covering the electrical connections and earth lead by removing the 3 screws.



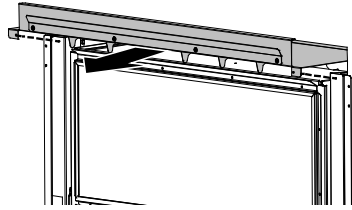
Step 3: Disconnect the gas supply from the fire and unplug the three wiring looms connecting the valve and spark electrode on the bottom right of the fire box. Unscrew the earth strap



Step 4: Remove the 2 screws holding the pressure switch bracket. Carefully pull the switch out and remove the hoses from the rear of it.



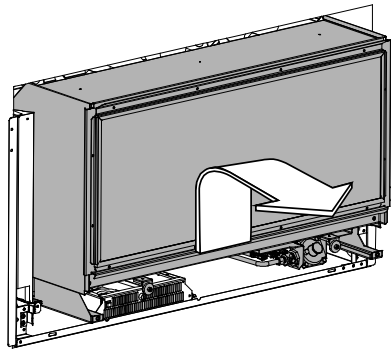
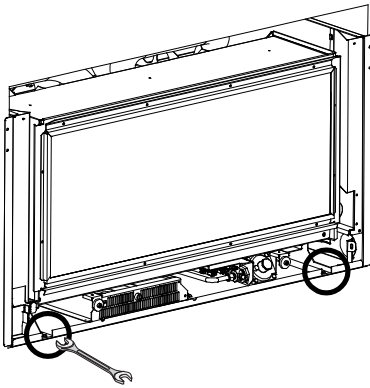
Step 5: Remove outer shell top by removing the screws in each corner and sliding out.



Step 6: Reach in and loosen the clamps holding the flexible inlet and outlet tubes and detach them from the fire.

Step 7: Remove firebox from heater by taking out the screws from the bottom corners, lifting the firebox over the chassis lip and pulling firebox directly outwards (as shown).

Note: Proceed with caution as the firebox assembly is heavy. Be aware of the components on the underside of the firebox that could easily be damaged.

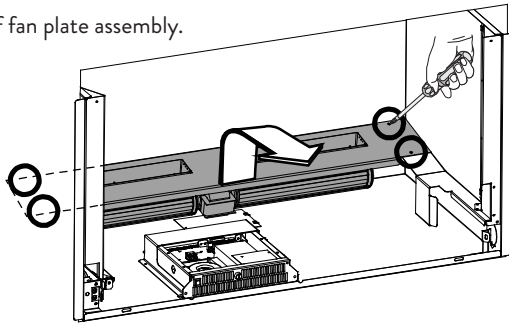


Step 8: Take out the 4 screws on top of fan plate assembly.

Step 9: Unplug wires lift the fan unit up and out to fully remove fan assembly.

Step 10: Clean fans, removing all dust build up.

Step 11: Replace fan assembly and firebox by repeating these steps in reverse order.



NOTE:

- Ensure the earth strap is reconnected (Screwed) into the electrical guard (step 2)
- Ensure the Pressure Switch hoses are connected to the correct nozzles without any kinks or restrictions. These can be identified by an “H” (high) and “L” (low) labelled on the hoses and the pressure switch. (step 3)

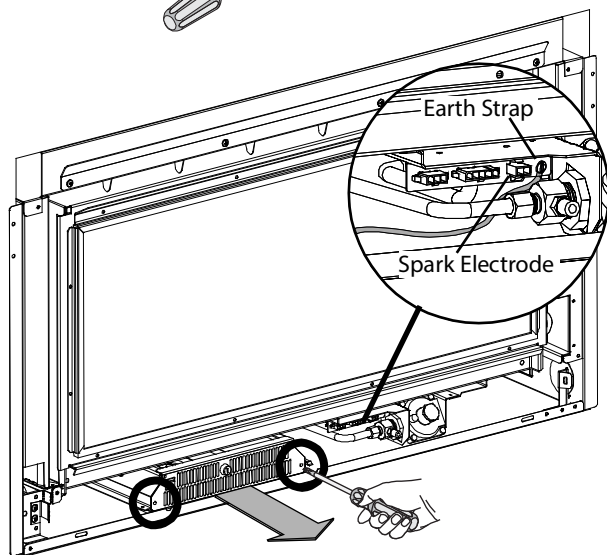
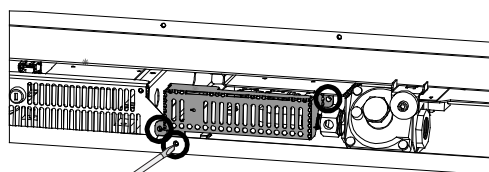
S7 Replacing Electronic Drawer

ISOLATE THE POWER TO THE FIRE BEFORE THIS PROCEDURE.

All of the electronic components of the heater have been located on a removable drawer. This drawer is located under the firebox, near the front left of the appliance. On the back of the drawer are two large connectors that unplug as the drawer is removed.

Remove the protective grill from in front of the electrical connections (shown in first diagram) and unplug electrode wire from firebox and remove screw holding earth strap to firebox. Take out the two screws at each end of the electronic drawer and pull drawer outwards and up slightly to clear the chassis lip.

If an ethernet / network cable is connected the lid of the drawer will have to be removed and the cable unplugged before the drawer is completely extracted from the fire. Reverse this procedure to refit. Ensure drawer is fully seated into the draw housing.

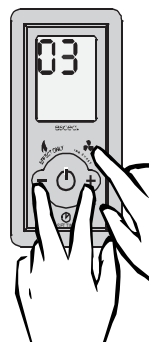


S8 Replacing a Wireless Control

If the wireless control becomes lost or damaged, a new one can be ordered from any Escea retail agent. When you have the new remote, the following procedure needs to be followed to “teach” the remote to only communicate with that fire.

1. Ensure the fire and remote are set to “Off” (only the time is displayed on the remote).

2. While the remote is in its “OFF” mode with only the time showing on the display, press the MINUS (4), PLUS (8) and FAN BOOST (7) buttons simultaneously (as shown right) until the characters “03” light up on the display. Release the buttons and the remote will count down and display “GO”. The screen will then display all characters. This will put the remote into test mode and the two big temperature digits should begin counting from 0 to 99 repeatedly.



3. Press and hold the – (minus) button until the two large temperature digits reading 00 start to flash slowly. Release the – (minus) button. The remote control is now ready to be addressed to the fire.

4. Press and hold the red auxiliary on/off button (found on the front face of the fireplaces electronic drawer, shown on the left with an arrow) for a minimum of eight seconds, or until the two large temperature digits start counting upwards from 00 to 99 repeatedly on the remote control.

Note: Pressing the red auxiliary button on/off button will start the fire. Once the remote control is counting the fire can be turned off by pressing the red auxiliary button again.

5. Press the large power button in the middle of the remote control to exit the test mode and return to normal operation. The remote should only be displaying the time. Check the fire will start using the remote control by pressing the large power button. Turn it off again using the remote control.

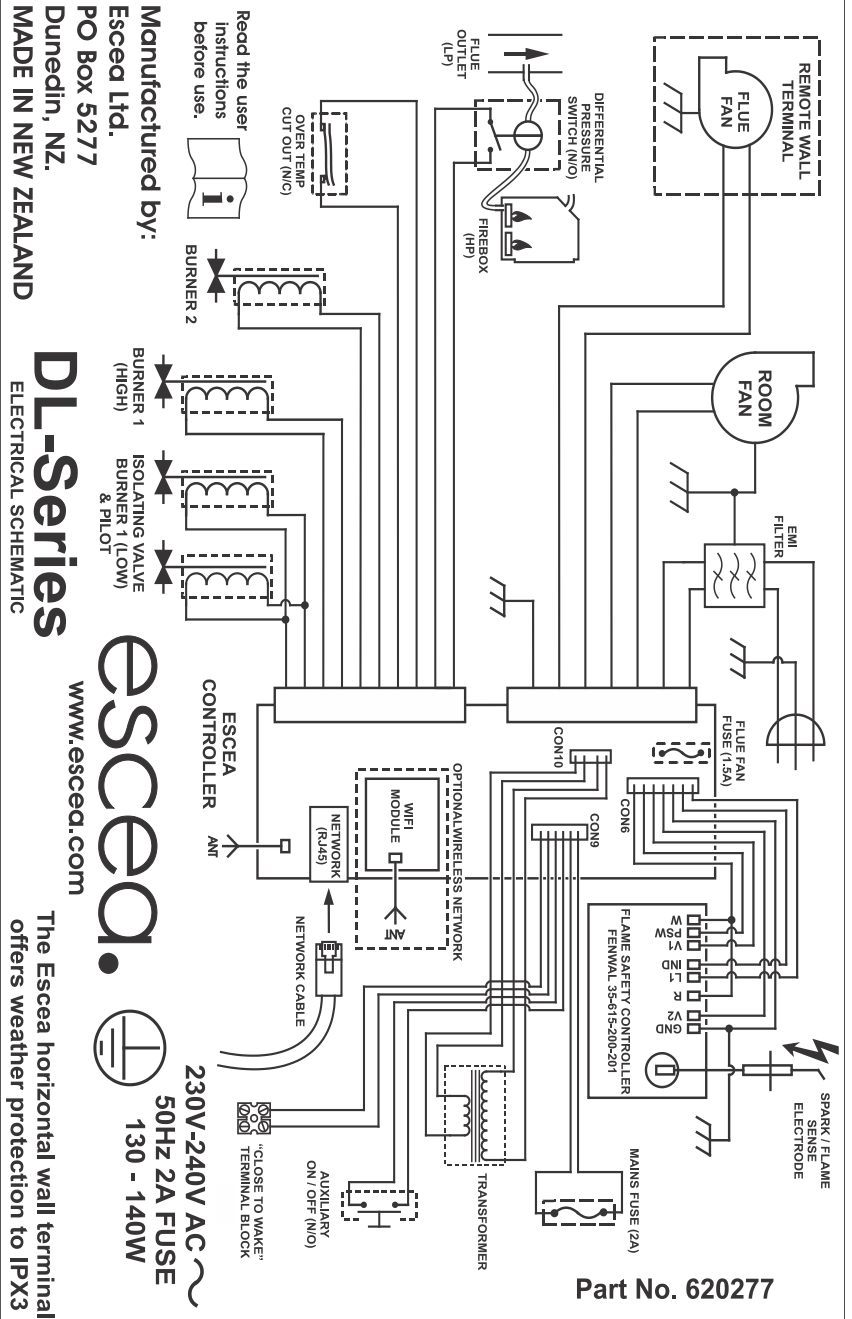
6. The fire is now re-addressed to the remote control.

S9 Annual service procedure

- Isolate power and gas supply to fire.
- Remove front glass and clean inside of glass.
- Remove fuel bed and brush off any soot.
- Clean electrode and pilot hood of any carbon build up and ensure correct gaps between electrode and pilot hood
- Remove burners and blow compressed air through the burner ports.
- Remove jets and clean injector hole with solvent.
- Remove firebox to give access to fan, brush and vacuum any dust build up from fan blades.
- Vacuum any dust from the cavity that houses the fan and from the underside of the fire box around the valve and solenoids.
- If the gas piping includes a flexible hose connected to the regulator, check the hose for signs of wear (discolouration, loss of flexibility, cuts, worn covers, cracks, crushing, kinking, flattening or loose end fittings) and replace if worn, or more than five years old.
- Test all joints for gas tightness.
- Reassemble heater and check that operating pressure is correct. 2.3kPa Propane, 1.0kPa Natural Gas with all burners running.
- Check glass sealing tape and replace if necessary.
- Check to make sure that flue system is intact and not in any way blocked.
- Trial heater with several start/stop cycles and trial fan-boost, flame effect only and thermostat modes to ensure that all modes function correctly.
- Check and set the gap between the 3 pilot parts to 0.5mm as per diagram in section E9 on page 28.

S10 Wiring Diagram

A B C D E F G SERVICE



Read the user instructions before use.

Manufactured by:
Escea Ltd.
 PO Box 5277
 Dunedin, NZ.
MADE IN NEW ZEALAND

DL-Series
 ELECTRICAL SCHEMATIC

escead.
 www.escead.com



The Escea horizontal wall terminal offers weather protection to IPX3

230V-240V AC
50Hz 2A FUSE
130 - 140W

Part No. 620277

A

B

C

D

E

F

G

SERVICE