



TUCKER
BARBECUES

BARBECUE DIMENSIONS

Charcoal Deluxe Pro Barbecue on Cabinet

Tucker Charcoal Deluxe Pro BBQs are made for Outdoor Use Only!

Please Note: Dimensions to be used as a guide only.

All Customers **MUST** refer to the user manual supplied with the product for detailed installation instructions.

Please allow sufficient Clearance to combustibles.

Please do not block any airways or vents.

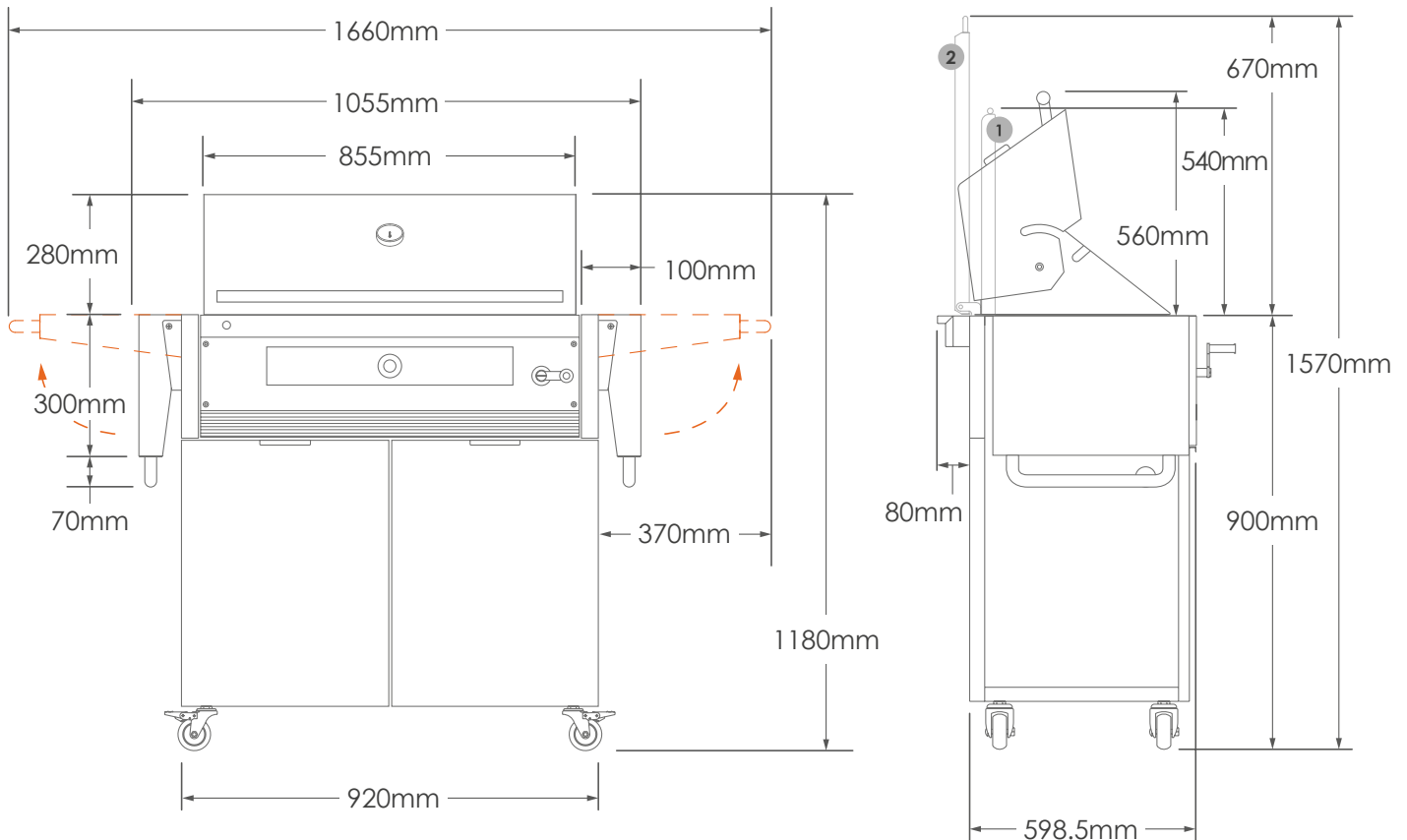
Sizes correct at time of printing.

Measurements are subject to change.

Tucker BBQs can not be held liable for changes to product sizes/ dimensions due to continual product upgrades.

It is recommended you purchase your product prior to starting any building work involved with the installation of the product to make sure the sizes are correct.

Charcoal Deluxe Pro Barbecue on Cabinet Dimensions and Clearances to Combustibles Materials



NOTE

When Roasting hood is shut, handle will pass front panel by 32.2mm this makes the hood to be 576mm deep.

When hood is open it will overhang the back panel by 25mm.

1 Hinge Flat Lid Height

- Height of Lid when closed is 40mm
- Height of lid when open is 540mm

2 Roll Down Flat Lid Height

- Height of Lid when closed is 40mm
- Height of lid when open is 670mm
- Flat roll down Lid can drop below the base of the BBQ body by 190mm when opened and lowered down to its maximum roll down depth.

Below are the minimum clearances to combustible materials surrounding the BBQ body:

- 1000mm to the rear wall.
- 1000mm to the side walls.
- 1000mm to the base of the BBQ.
- 1200mm above the BBQ.

The clearance to combustible wall surfaces above the BBQ cooking surface are as follows:

- 1000mm to the rear wall.
- 1000mm to the side walls.
- 1200mm above the cooking surface.