



TUCKER
BARBECUES

CHARCOAL DELUXE PRO BBQ INSULATION JACKET

ASSEMBLY INSTRUCTIONS



**IMPORTANT – PLEASE READ ALL INSTRUCTIONS
BEFORE YOU ASSEMBLE, INSTALL OR
OPERATE THIS APPLIANCE.**

V09.10.2023



IMPORTANT SAFETY INSTRUCTIONS 2

INSULATION JACKET ASSEMBLY INSTRUCTIONS 3

INSTALLATION INSTRUCTIONS & WARNINGS 10

DIMENSIONS 12

WARRANTY 14

- Tucker Charcoal Deluxe Barbecues are approved for outdoor use only.
- Remove all plastic protection film from stainless steel components before assembly.
- Keep this manual for future reference.
- Read all instructions carefully before assembly and usage of barbecue/insulation jacket.
- Clean your barbecue regularly; check the grease trays for excess grease build up as damage by grease or fat fire is not covered by warranty.
- Always check that the fire has died off when finishing barbecuing.
- A canvas cover for this barbecue will extend its life and ensure trouble free operation.
- Attend an operating barbecue at all times.
- Do not use this appliance indoors or in any enclosed area.
- Do not spray aerosols in the vicinity of this appliance while it is in operation.
- Do not place articles on or against this appliance.
- Placing too much charcoal in the barbecue can result in a huge fire that can damage the BBQ and cause danger.
- Charcoal BBQs burn oxygen and release carbon monoxide along with other harmful gases that can kill or make you very sick, it only takes a couple of hand fills of charcoal burning in a small room to kill, make sure you never use the BBQ indoors.
- The BBQ is very hot when it is in use, do not use the BBQ up against or closer than 1m to any combustible surfaces.
- It is advisable to place something non-combustible such as pavers or tiles in front of the BBQ just in case hot coals roll out by accident when refilling the fire box.
- When looking for a place to set up your Charcoal BBQ outside think about the surroundings around it.
- Look for a safe place away from bushes or overhanging trees or other possible fire hazards.



WARNING FOR YOUR SAFETY

- Do not use or store flammable materials in or near this appliance.
- Do not modify this appliance in any way.
- Do not allow children to operate the barbecue.
- Always open the Lid or Roasting Hood before lighting.
- Do not stack the charcoal up; a single layer of charcoal will provide plenty of heat to cook enough food for a standard family meal.

HAZARDOUS FIRE OR EXPLOSION MAY RESULT IF INSTRUCTIONS ARE IGNORED.

It is the consumer's responsibility to see that the barbecue is properly assembled, installed and taken care of. Failure to follow the instructions in this manual could result in serious bodily injury and /or property damage.

TOOLS REQUIRED FOR ASSEMBLY



10mm spanner



Phillips head screwdriver

- Remove the pallet and any plastic film protecting or covering any parts of the Insulation Jacket.
- Cut away any packaging or cable ties that may be holding components in place.
- Check you have all the correct components as listed in this Page.

INSULATION JACKET PARTS



1x Rear Back Panel Filler



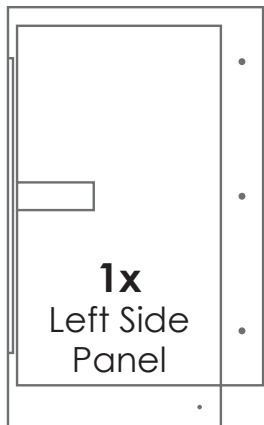
1x
Left Rotisserie
Arm Hole Cover



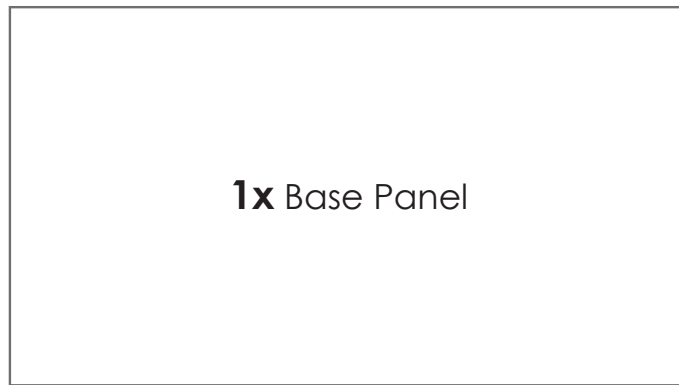
1x Back Panel



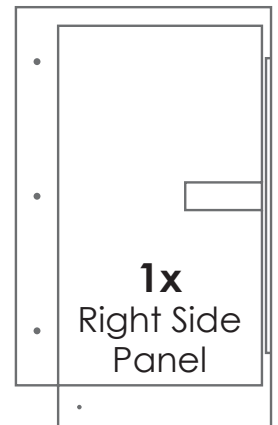
1x
Right Rotisserie
Arm Hole Cover



1x
Left Side
Panel



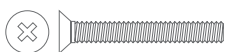
1x Base Panel



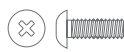
1x
Right Side
Panel



1x Grease/Ash Tray Louvered Fascia



8x
65mm x M6
Phillips Head Bolts



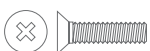
4x
15mm x M6
Round Head Bolts



7x
M6 Nuts



9x
7mm Spacer
Washers



14x
15mm x M6
Phillips Head Bolts



2x
20mm x M4
Round Head Bolts



2x
M4 Nuts

Charcoal Deluxe Insulation Jacket Assembly

1. Place the base panel onto your work surface with the stainless steel side face down and remove the foil insulation from the base panel.



2. Once the insulation is removed you can see and access the 6 x holes that you need to use to screw the 15mm phillips head bolts through to attach the side panels to the base panel.

NOTE:

The side panels have a small square notch cut out which signifies the front of the side panels, the front of the base panel has 2 small holes on the front edge which also signifies the front. When you attach the base panel to the side panels, the base panel needs to have the stainless steel side facing up and the side panels have the insulation facing inward.

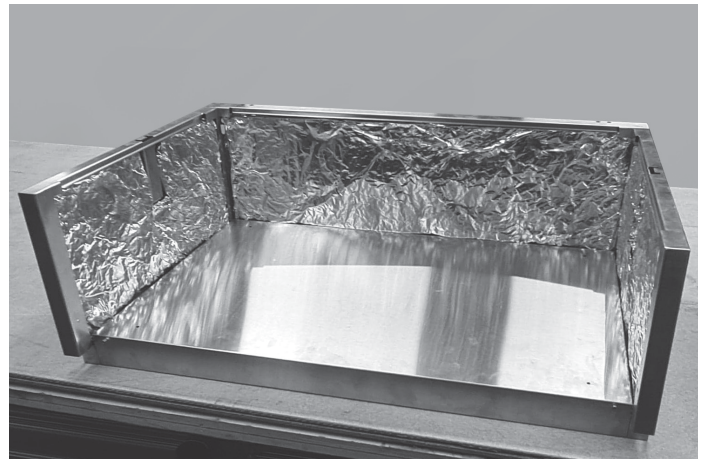


3. The next step is to attach the back panel to the ends of the side panels, you will need to screw 2 x 15mm phillips head bolts with a 7mm spacer on each bolt into the two holes in the back vertical ends of each side panel.

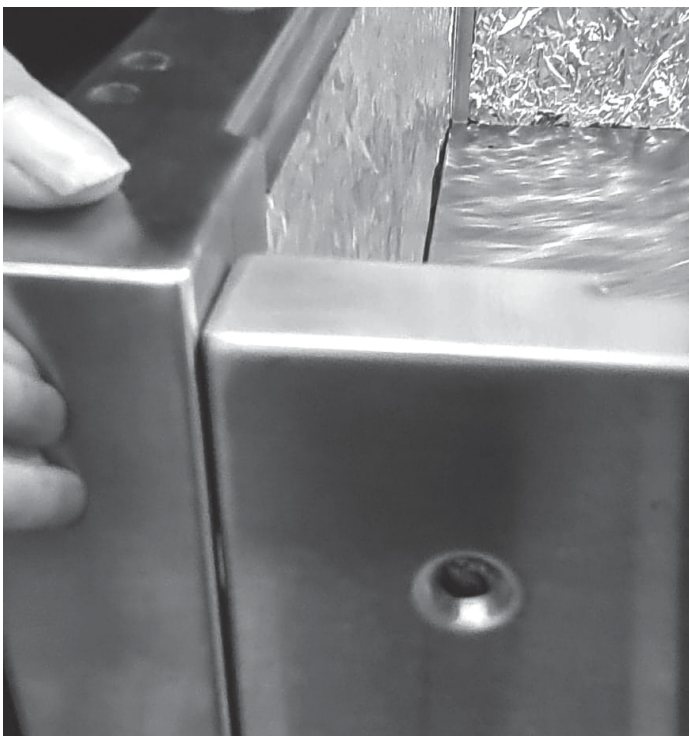


- Now you can attach the back panel to the side panels. Line up the bolt heads on the back of the side panels with the key holes in each corner of the back panel and push the back panel down over the bolt heads which will locate the back panel into position.

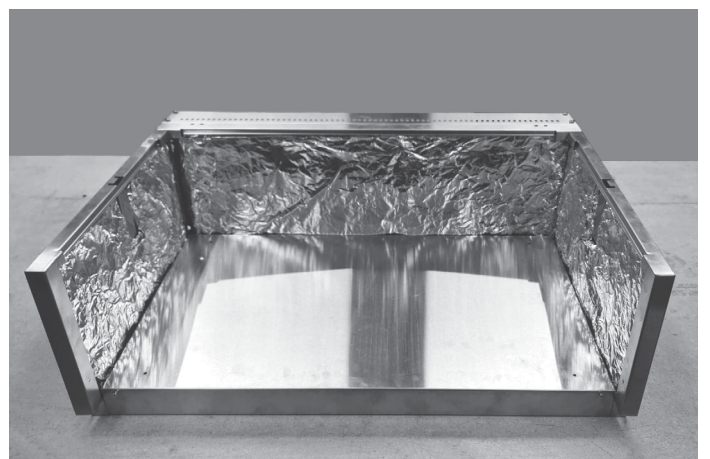
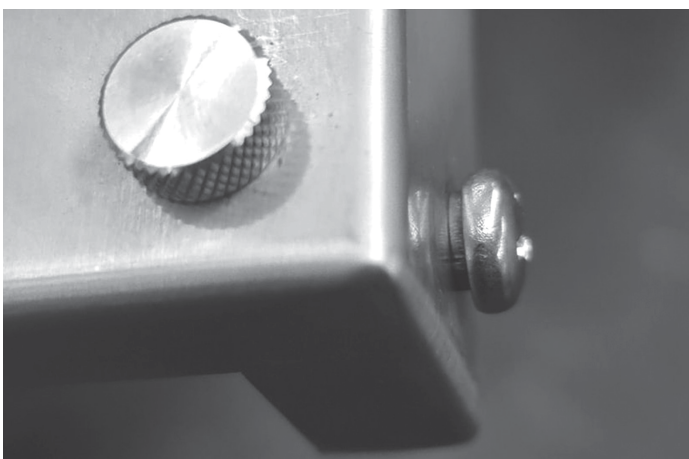
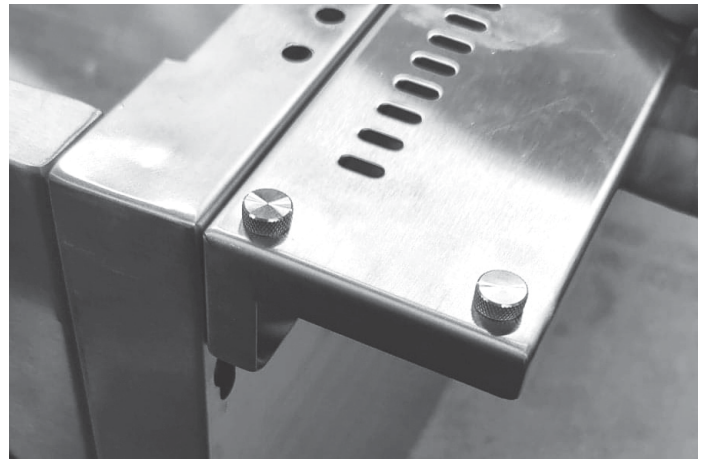
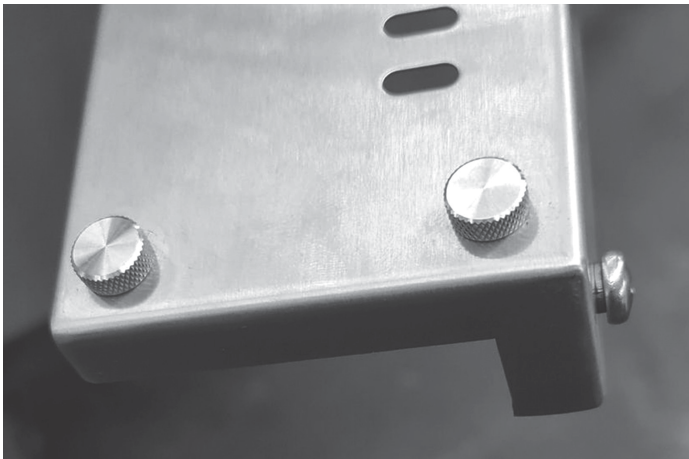
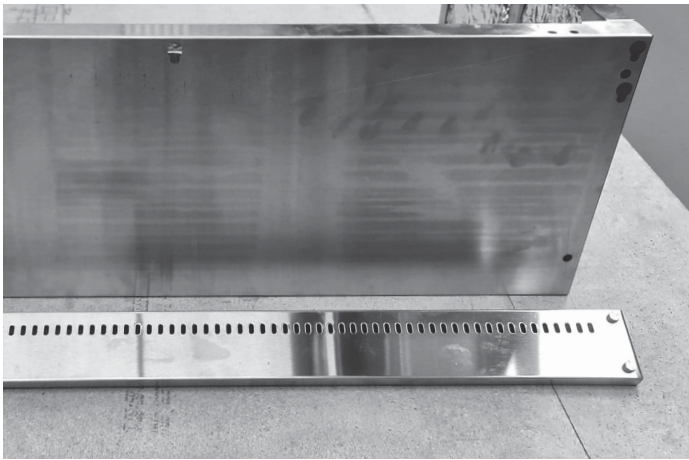
The top of the back panel should be flush with the top of the side panels when it is in position correctly.



- The next step is to secure the back panel to the base panel using a 15mm phillips head bolt fixed through the middle of the base panel and through into the bottom of the back panel.



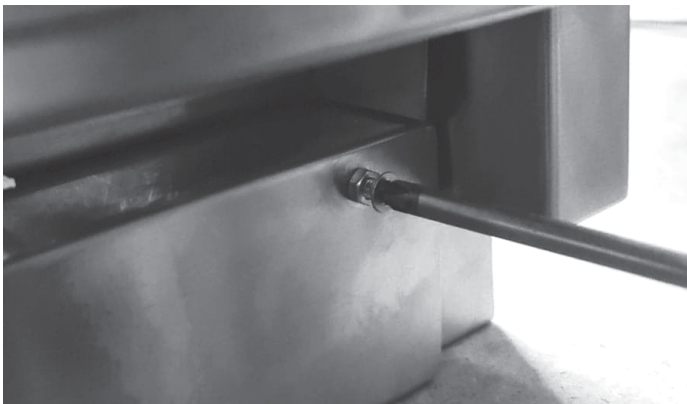
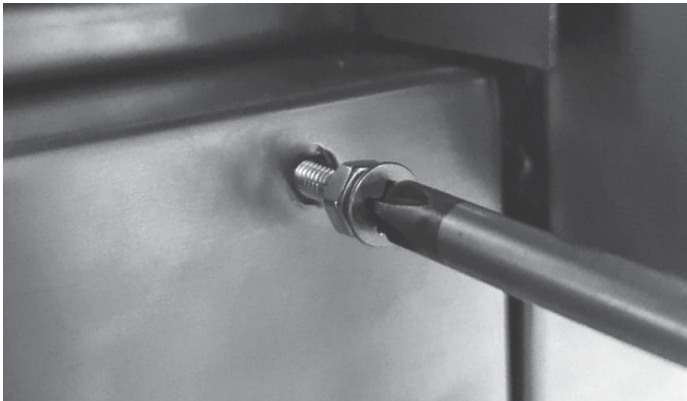
- Now you can replace the insulation back into the base panel.
- The next step is to attach the rear filler panel to the top of the back panel. You will need to attach 3 x phillips head bolts and nuts with a small 7mm spacer/ washer under the head of the bolts to the rear filler panel as per the photo.



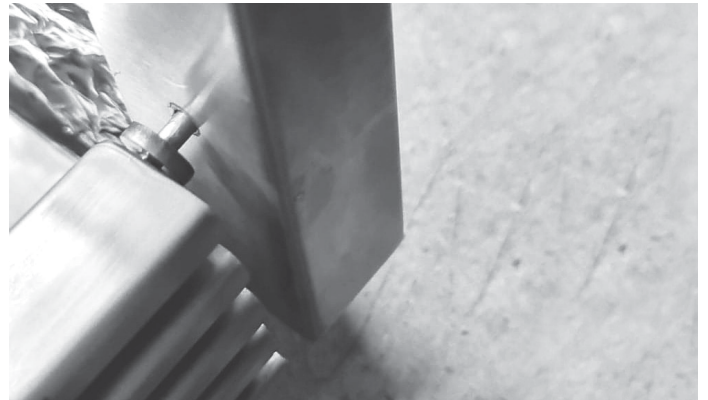
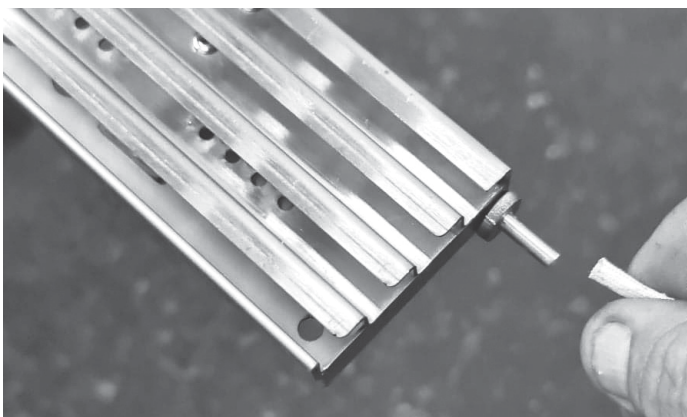
8. Now you are ready to attach the rear filler panel. Line up the key hole slots on the rear panel with the bolt heads on the back panel, now locate them over the bolt heads and push the rear filler panel down locking it into position.

9. Next is the attachment of the grease / ash tray fascia to the front of the insulation jacket, before you do this, using the 2 x 20mm bolts and nuts , screw one into each side of the base panel at the front of the jacket.

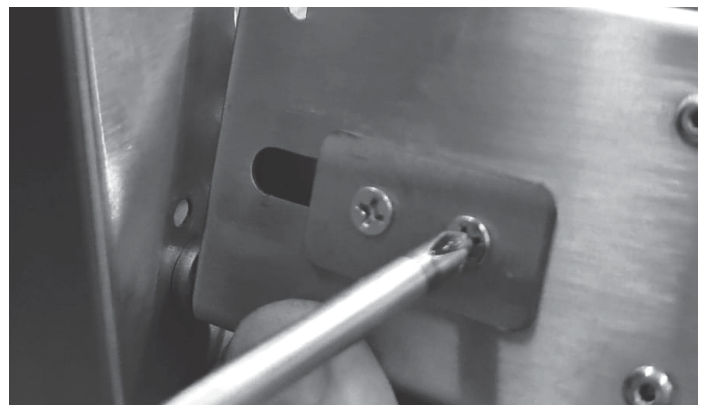
These bolts are used for adjusting the position the fascia panel stops at, screwing them in or out will change the position the fascia sits vertically.



10. Next take the ash/grease tray fascia and remove the protective cover from the pins on each end of it. Be careful not to lose the small spacer sitting on the end of each pin.

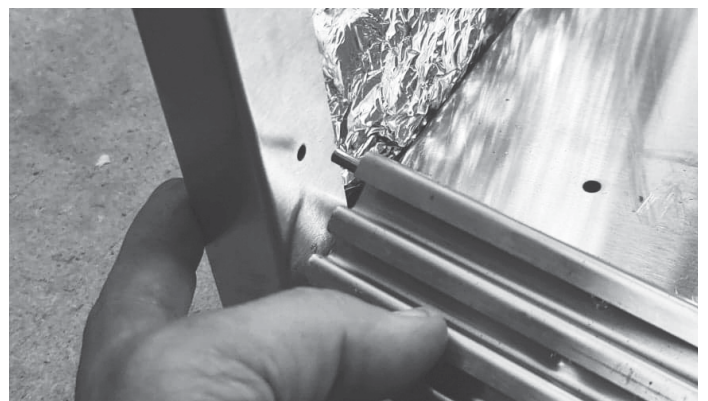


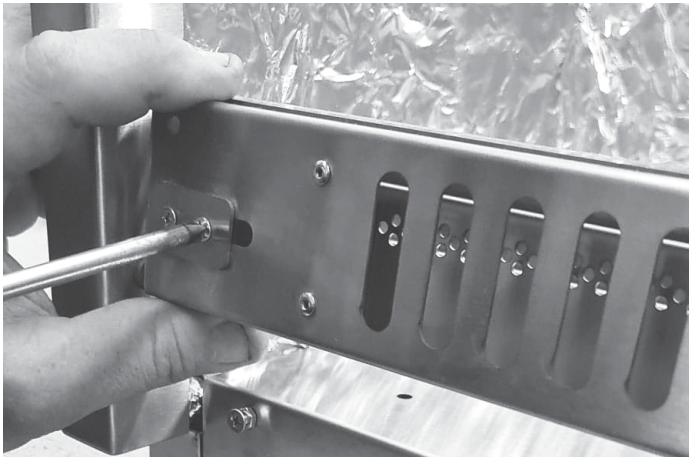
11. Now locate the right hand side pin into the hole in the front of the right hand side panel.



12. Now using a phillips head screwdriver loosen the two phillips head bolts on the back side of the left hand side of the fascia panel.

By loosening these two bolts it allows the locating pin on the left hand side of the fascia panel to slide backwards enough so that you can easily slide the fascia panel into position and then slide it back again locating the pin into the hole on the left hand side panel and then tighten it back up to lock it in position.



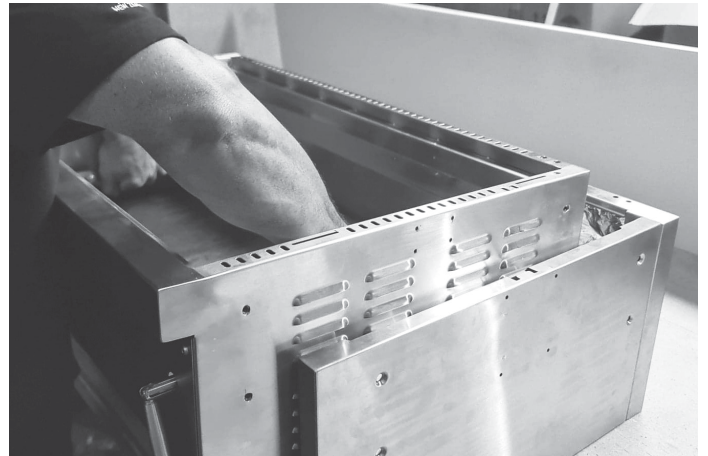


13. Now behind the grease /ash tray fascia you can adjust the position the fascia sits into the jacket vertically by using the two bolts and nuts you installed earlier. Simply screw the bolts in or out and once you are happy with the position the fascia sits, simply tighten the nut.



14. The Insulation Jacket is now complete and ready for the charcoal deluxe BBQ to be inserted into.

15. Remove the grease /ash tray from the BBQ and lower the BBQ into the jacket.



To secure the BBQ into the Insulation Jacket use the 8 x 65mm bolts and push them through the four holes on either side of the Insulation Jacket side panels.

You need to line the ends of the bolts up to the nuts that are welded into the side panels of the BBQ. Once you have them all lined up start to tighten the bolts rotating the tightening around the sides of the jacket a little bit on each bolt at a time.

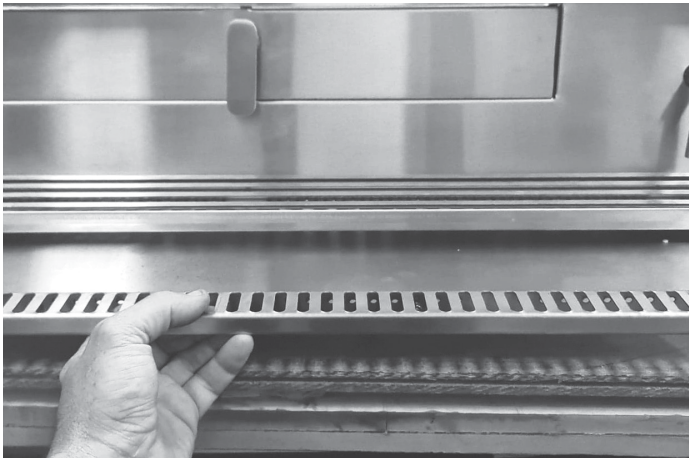


NOTE:

Do not use a drill to tighten any nuts and bolts together in the Insulation Jacket assembly.

Using a drill to tighten them together makes them hot and will cause them to bind on each other and get stuck.

16. The last thing to do is to slide the grease/ash tray back into the BBQ.



NOTE:

The grease / ash tray has an adjustable height front fascia on it, which is helpful over time as the heat from the ash will cause the tray to expand and contract.



The adjustment bolts allow you change the height of the fascia so as to help make sliding the tray in and out easier.

To adjust the height simply loosen the bolts move the fascia by hand and then tighten the bolts back up again.

INSTALLATION INSTRUCTIONS

READ THE IMPORTANT INFORMATION ON THE FRONT OF THE BARBECUE

This barbecue and Insulation Jacket are designed and approved for outdoor use only.

Be mindful of the location of the installation of the barbecue.

If you are using the roasting hood it is better that the prevailing wind blows into the front of the BBQ during cooking.

NOTE:

Strong winds blowing into the back or across the back of the hood whilst cooking with the hood closed can cause overheating of the BBQ.

Hot air retained in the hood during cooking may not be able to be released naturally from the rear vent of the hood in strong winds.

INSTALLATION WARNINGS

Do not use this appliance indoors or on marine craft.

This appliance shall only be used in an above ground, open-air situation with natural ventilation, without stagnant areas where gas leakage and products of combustion are rapidly dispersed by wind and natural convection.

Any enclosure in which the appliance is used shall comply with one of the following:

- An enclosure with walls on all sides, but at least one permanent opening at ground level and no overhead cover. (figure 1)
- Within a partial enclosure that includes an overhead enclosure and no more than two walls. (figure 2 and 3)
- Within a partial enclosure that includes an overhead cover and more than two walls, the following shall apply. (figures 4 and 5)
- At least 25% of the total wall area is completely open.
- At least 30% of the remaining wall area is open and unrestricted.
- In the case of balconies, at least 20% of the total of the side, back and front wall areas shall be and remain open and unrestricted.

DIAGRAMMATICAL REPRESENTATIONS OF OUTDOOR AREAS

The following figures are diagrammatical representations of outdoor areas. The areas used in the figures below are examples – the same principles apply to any other shaped area.

FIGURE F1 – OUTDOOR AREA – EXAMPLE 1

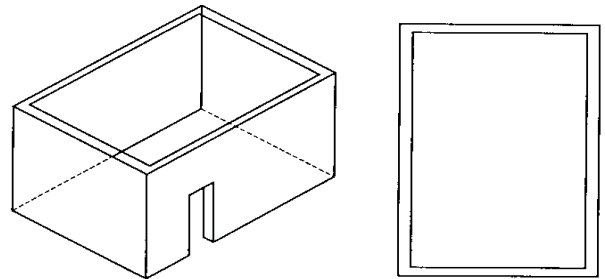


FIGURE F2 – OUTDOOR AREA – EXAMPLE 2

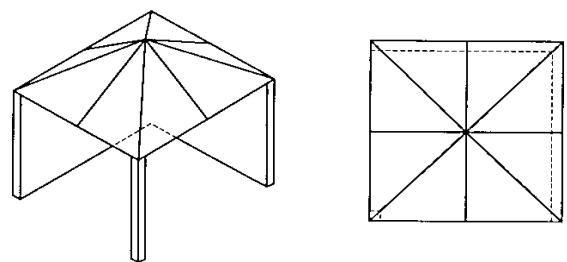


FIGURE F3 – OUTDOOR AREA – EXAMPLE 3

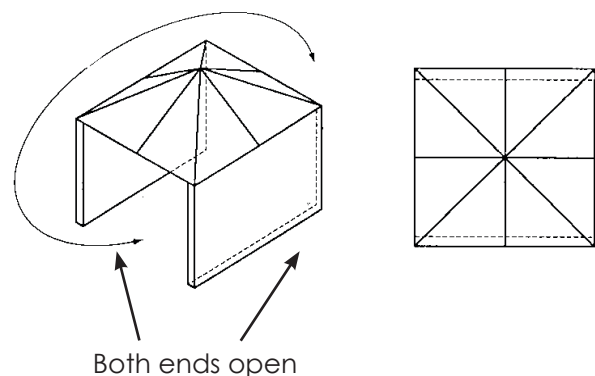
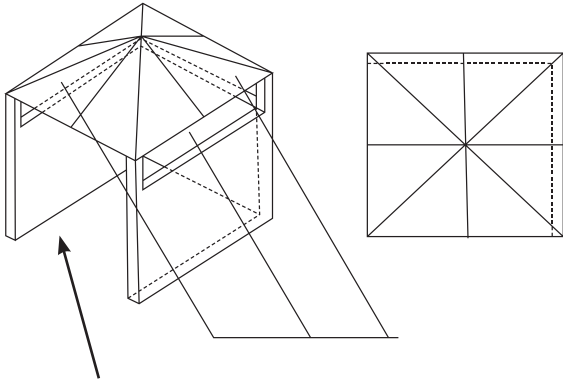


FIGURE 4 OUTDOOR AREA –EXAMPLE 4

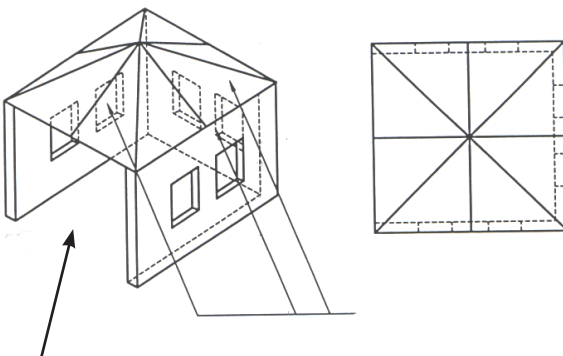


Open side at least 25% of total wall area

30% or more in total of the remaining wall area is open and unrestricted.

OPEN AT SIDE AT LEAST 25% OF TOTAL WALL AREA. 30% OR MORE IN TOTAL OF THE REMAINING WALL AREA IS OPEN AND UNRESTRICTED

FIGURE F5 – OUTDOOR AREA – EXAMPLE 5

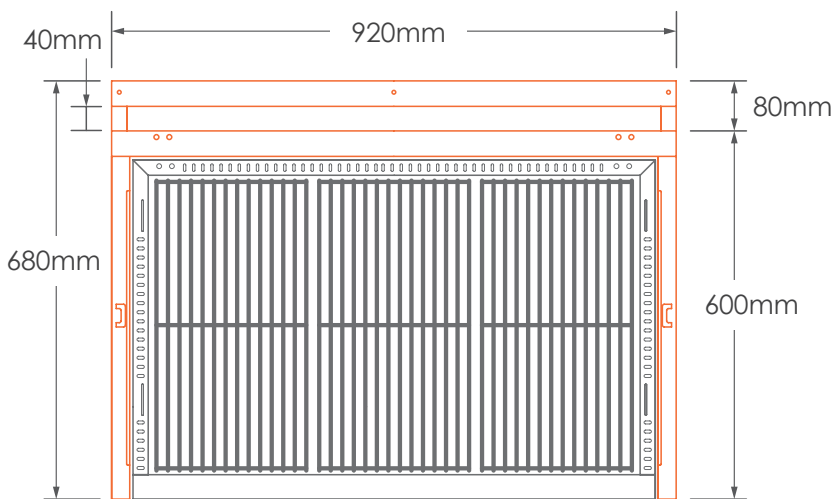
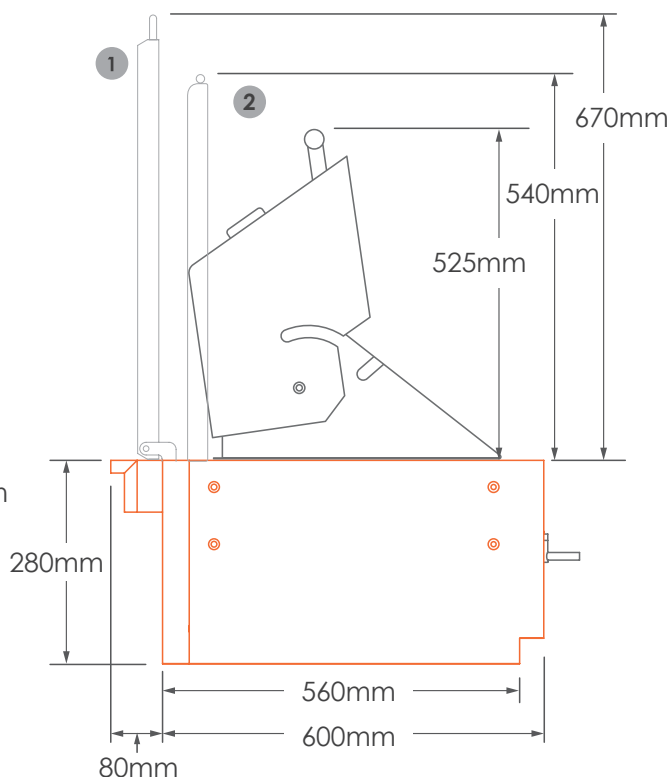
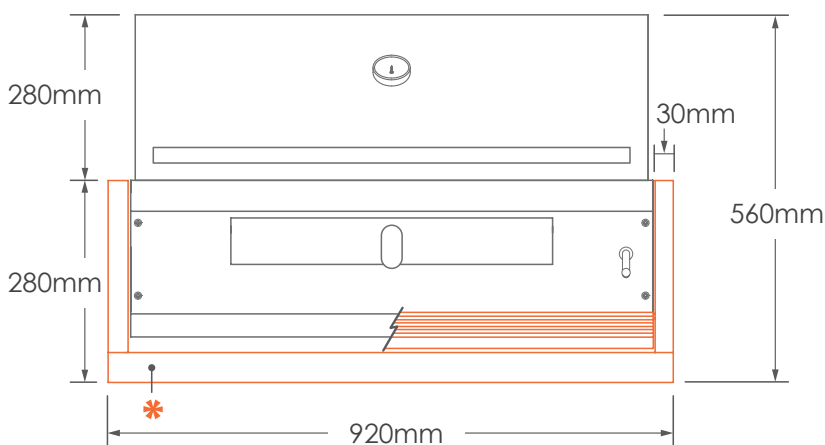


Open side at least 25% of total wall area

30% or more in total of the remaining wall area is open and unrestricted.

OPEN SIDE AT LEAST 25% OF TOTAL WALL AREA. 30% OR MORE IN TOTAL OF THE REMAINING WALL AREA IS OPEN AND UNRESTRICTED.

CHARCOAL DELUXE INSULATION JACKET DIMENSIONS



NOTE

When Roasting hood is shut handle will pass front panel by 15mm this makes the hood to be 570mm deep.

- 1 Roll Down Flat Lid Height**
 - Height of Lid when closed is 40mm
 - Height of lid when open is 670mm
 - Flat roll down Lid can drop below the base of the BBQ body by 190mm when opened and lowered down to its maximum roll down depth.
- 2 Hinge Flat Lid Height**
 - Height of Lid when closed is 40mm
 - Height of lid when open is 540mm

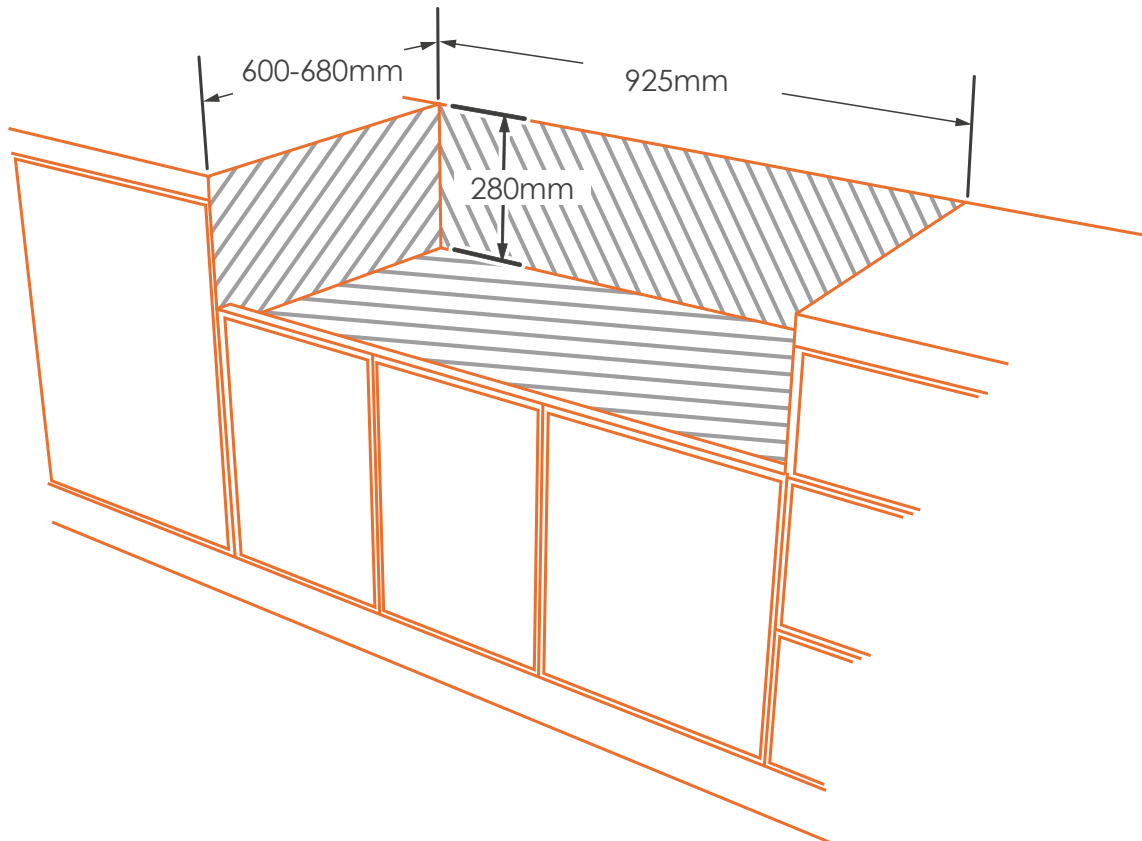
*** Insulation Jacket Fit**

Charcoal Deluxe Insulation Jackets are made to reduce the temperature surrounding the barbecue, this enables the barbecue to be built into an outdoor kitchen using standard building materials.

The Jacket has been designed, so that the base of the insulation jacket can be hidden behind the cabinet doors. The base panel is thicker to reduce the massive heat radiating from the coals. The insulation base panel is hidden when the doors are closed.



CHARCOAL DELUXE INSULATION JACKET BUILT-IN CUT-OUT DIMENSIONS



Clearances above BBQ cooking surface to combustible walls are as follows:

Clearance to rear walls 1000mm

Clearance to side walls 1000mm

Clearance above the BBQ cooking surface 1200mm

IMPORTANT

The insulation jacket is designed to offer zero clearance to combustible materials that can withstand continuous temperatures of 100°C for 24 hours continuously.

It is important that you check with your material supplier if the material used can withstand 100°C for 24 hours continuously.

TUCKER CHARCOAL DELUXE INSULATION JACKET WARRANTY

WARRANTY PERIOD

Stainless steel body 10 years

NOT COVERED

The warranty does not cover the purchaser or any other person for damage malfunction or loss due to the following:

- Lack of maintenance, abuse, neglect, misuse, accident, or improper installation of this appliance.
- Scratches, dents or discoloration caused by heat, abrasive or chemical cleaners.
- Damage due to grease or fat fires.
- Surface rust.
- Cleaning and normal wear and tear.
- Unauthorized repairs during the warranty period.

SERVICE CALLS OF THE ABOVE NATURE ARE CHARGEABLE

CONDITIONS OF THIS WARRANTY

1. The appliance is delivered to TUCKER AUSTRALIA distributors service department or authorized service agent and freight charges both ways is to be paid by the owner. No liability is accepted for loss or damage during transit.
2. The appliance is installed by a qualified person and operated and maintained in accordance with the instructions supplied. Repairs and service must be carried out by an authorized person.
3. Installation must conform to the standards laid down by the local codes or, in the absence of local codes, with AGA code AG:601 AS:5601:2002
4. No alterations or repairs are to be carried out without obtaining the distributors prior consent. Such repair or any replacement does not extend the warranty period.
5. Proof of purchase together with this warranty must be provided to verify purchase date and establish the warranty period. Only the original purchaser is covered under this warranty.

6. Where this warranty is inconsistent with any state laws, the rights of the purchaser shall prevail.
7. Parts installed from other manufacturer's products will nullify this warranty.

FOR YOUR RECORDS

Model:

Serial Number:

Retailer:

Purchase Date:

TUCKER AUSTRALIA PTY LTD.
138 Silverwater Road
Silverwater NSW 2128 AUSTRALIA.
PHONE: (+612) 9748 8368
FAX: (+612) 9748 8138
WEB SITE: www.tuckerbbq.com.au
EMAIL: mail@tuckerbbq.com.au





TUCKER
BARBECUES

TUCKER AUSTRALIA PTY LTD.
138 Silverwater Road
Silverwater NSW 2128 AUSTRALIA.
PHONE: (+612) 9748 8368
FAX: (+612) 9748 8138
WEB SITE: www.tuckerbbq.com.au
EMAIL: mail@tuckerbbq.com.au