



TUCKER
BARBECUES

CHARCOAL DELUXE PRO BARBECUE

BUILT-IN DIMENSIONS

NOTE Please note the dimensions are to be used as a guide only.
All Customers **MUST** refer to the user manual supplied with the product for detailed installation instructions.
Please allow sufficient Clearance to combustibles.
Please do not block any airways or vents.
Sizes correct at time of printing.
Measurements are subject to change.

The intended use of the Charcoal Deluxe Pro BBQ is to be installed into brickwork or other non combustible surrounds, alternately it can be installed into a Tucker Insulation Jacket or Cabinet Trolley, Be sensible when choosing the location to position your BBQ. The BBQ must be located on firm and level ground.

DO NOT locate the BBQ near combustible materials or surfaces, either above or around the BBQ.

DO NOT obstruct any of the air ventilation openings on the front of the BBQ.

Tucker BBQs can not be held liable for changes to product sizes/ dimensions due to continual product upgrades.

It is recommended you purchase your product prior to starting any building work involved with the installation of the product to make sure the sizes are correct.

NOTE When choosing a location to install the BBQ with a roasting hood fit to it.

We recommend the BBQ be installed to prevent wind from blowing into the back of the BBQ.

Strong winds blowing into the back or across the back of a roasting hood whilst cooking with the hood closed, may cause overheating of the BBQ.

The hot air retained inside the roasting hood may not be able to freely be released through its rear air vent.

NOTE No extra space is required behind the BBQ, to open the Flat Lid / Roasting Hood.

BBQ CLEARANCES TO COMBUSTIBLE MATERIALS

Below are the minimum clearances to combustible materials surrounding the BBQ body:

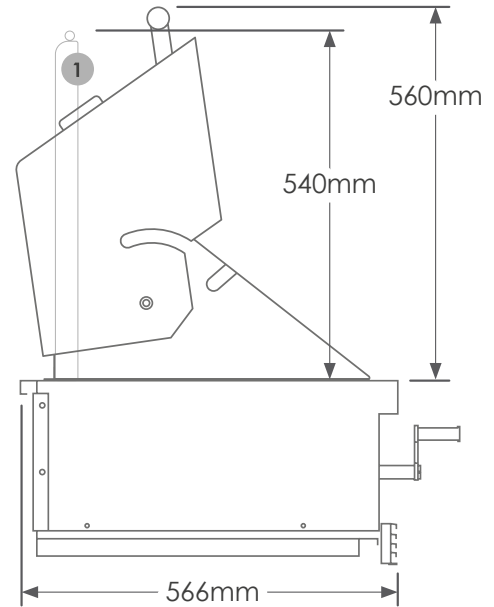
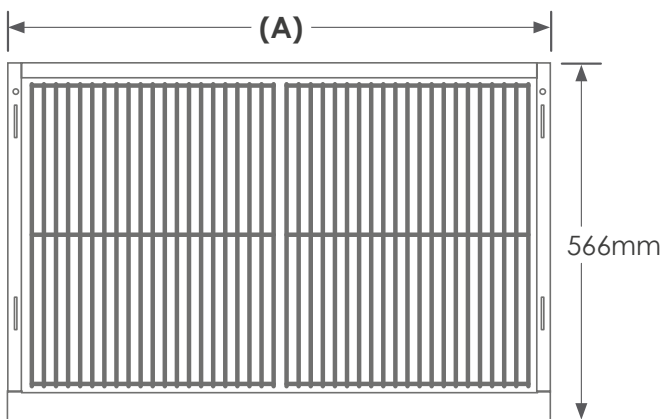
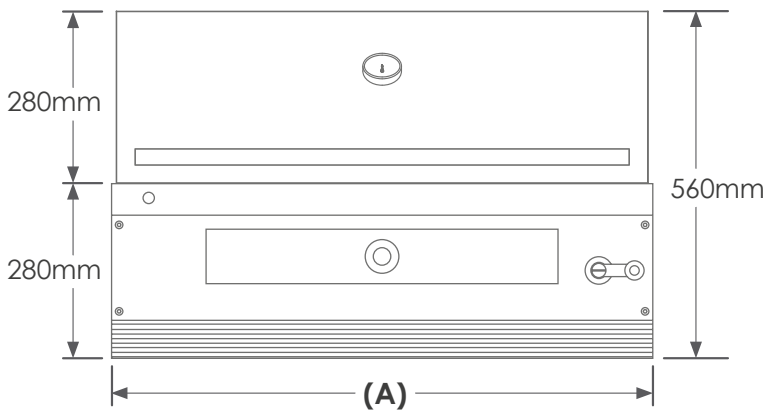
- 1000mm to the rear wall.
- 1000mm to the side walls.
- 1000mm to the base of the BBQ.
- 1200mm above the BBQ.

BBQ CLEARANCES TO COMBUSTIBLE MATERIALS ABOVE COOKING SURFACE

The clearance to combustible wall surfaces above the BBQ cooking surface are as follows:

- 1000mm to the rear wall.
- 1000mm to the side walls.
- 1200mm above the cooking surface.

CHARCOAL DELUXE PRO BUILT-IN BARBECUE DIMENSIONS AND CLEARANCES TO COMBUSTIBLES MATERIALS



NOTE When Roasting hood is shut, handle will pass front panel by 32.2mm this makes the hood to be 576mm deep.

When hood is open it will overhang the back panel by 25mm.

NOTE Roll Down Flat Lid can be fitted only with Insulation Jacket.

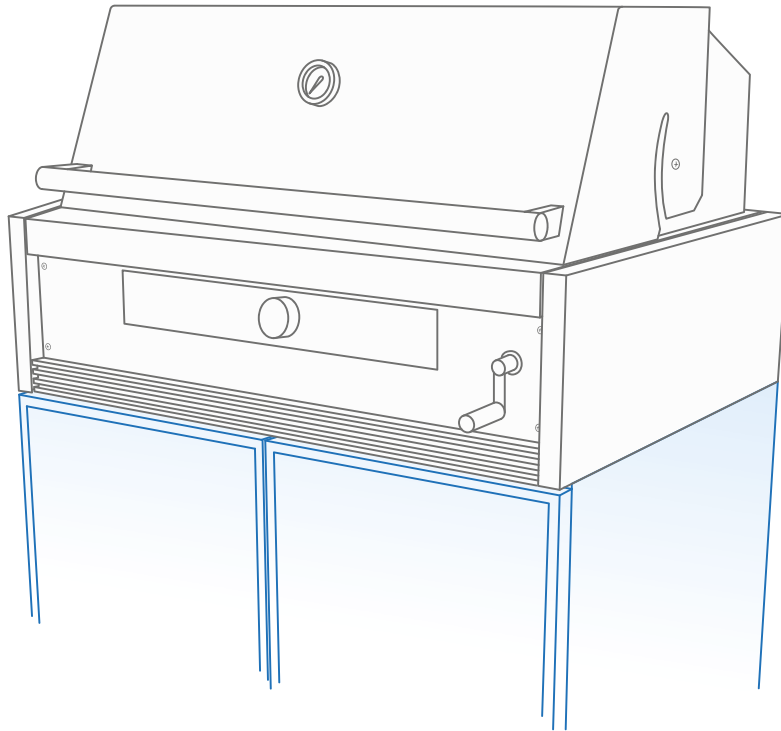
1 Hinge Flat Lid Height

- Height of Lid when closed is 40mm
- Height of Lid when open is 540mm

| Model | Charcoal Deluxe Pro | Charcoal Deluxe Pro XL |
|-------|---------------------|------------------------|
| A | 855mm | 1015mm |



**CHARCOAL DELUXE PRO BARBECUE INSTALLED
IN A TUCKER INSULATION JACKET**



INSULATION JACKET FIT

Charcoal Deluxe Pro BBQ can be installed into a Tucker insulation jacket which then allows the BBQ to be installed into standard combustible kitchen cabinetry.

The insulation jacket will reduce the BBQ's external surrounding temperatures down to 100°C. Check with your material suppliers if the material you intend to use can withstand temperatures of 100°C continually for 24 hours.

**BBQ CLEARANCES TO
COMBUSTIBLE MATERIALS
ABOVE COOKING SURFACE**

The clearance to combustible wall surfaces above the BBQ cooking surface are as follows:

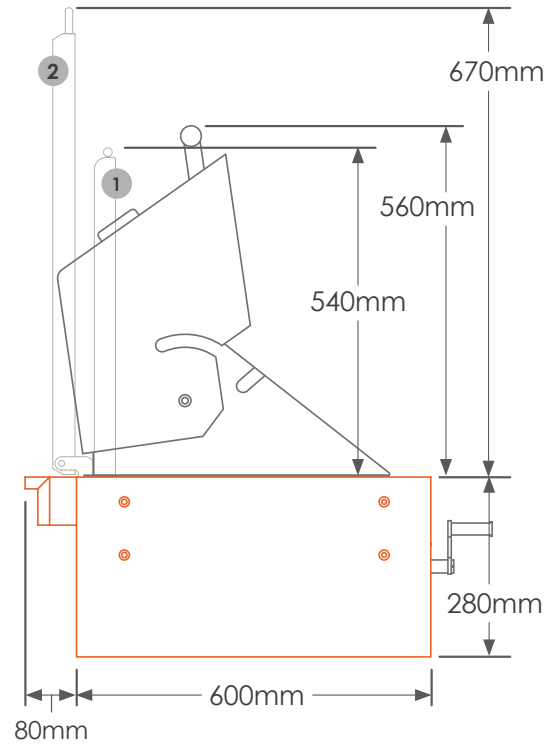
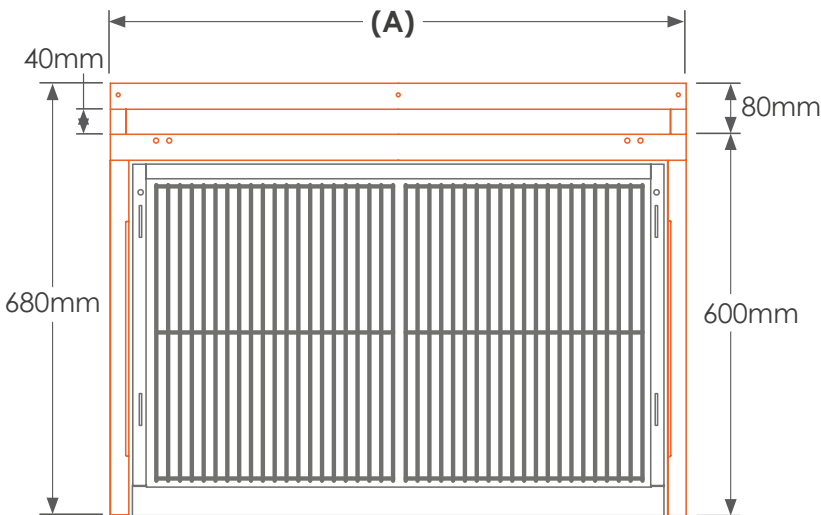
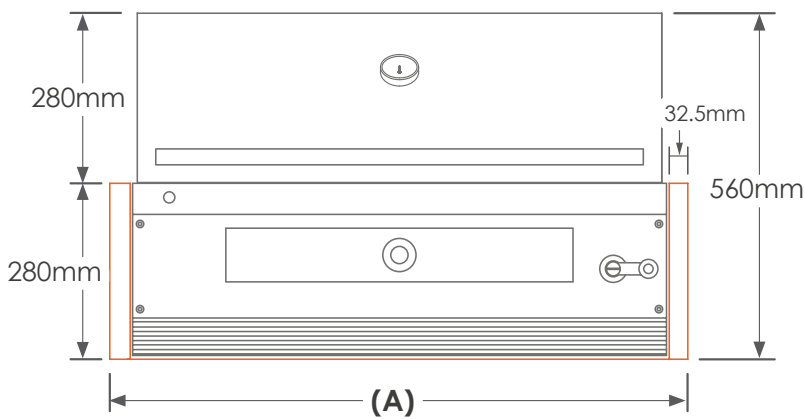
- 1000mm to the rear wall.
- 1000mm to the side walls.
- 1200mm above the cooking surface.

IMPORTANT

Tucker cannot be held liable for discolouration or distortion of any building materials or cabinetry used to surround the BBQ when it is fitted into a Tucker Insulation Jacket. Please check with the manufacturers of any building materials before use. PVC or polymer board is especially sensitive to heat, make sure any material used can withstand 100°C for periods of at least 24 hours before using them.



CHARCOAL DELUXE PRO BUILT-IN BARBECUE WITH INSULATION JACKET DIMENSIONS AND CLEARANCES TO COMBUSTIBLE MATERIAL



NOTE

When Roasting hood is shut, handle will pass front panel by 32.2mm this makes the hood to be 576mm deep.

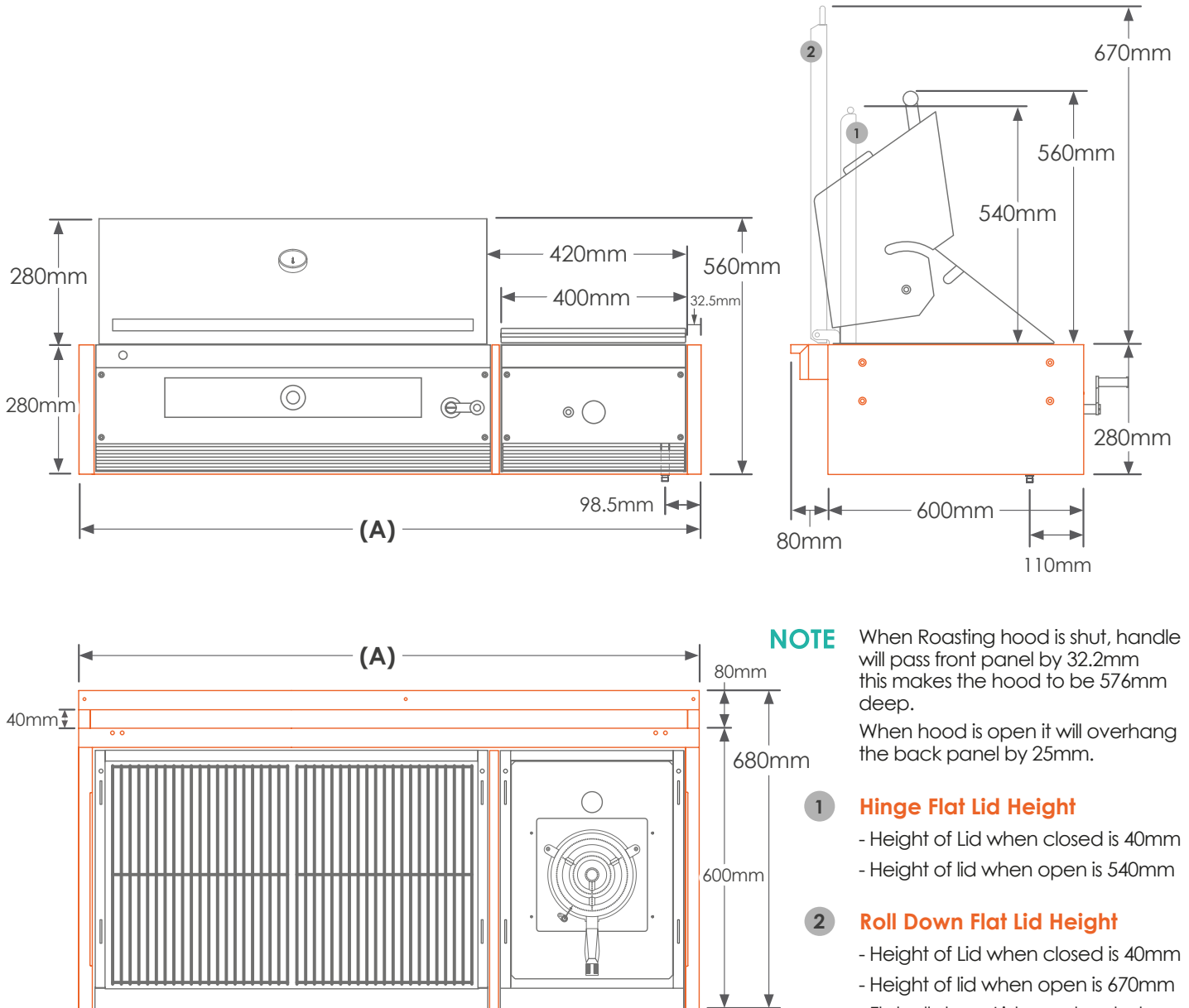
When hood is open it will overhang the back panel by 25mm.

- 1 Hinge Flat Lid Height**
 - Height of Lid when closed is 40mm
 - Height of lid when open is 540mm
- 2 Roll Down Flat Lid Height**
 - Height of Lid when closed is 40mm
 - Height of lid when open is 670mm
 - Flat roll down Lid can drop below the base of the BBQ body by 190mm when opened and lowered down to its maximum roll down depth.

| Model | Charcoal Deluxe Pro | Charcoal Deluxe Pro XL |
|-------|---------------------|------------------------|
| A | 920mm | 1080mm |



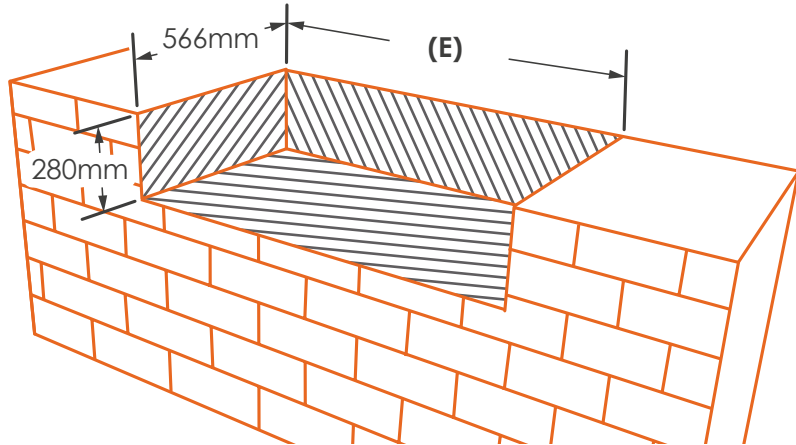
CHARCOAL DELUXE PRO+1 BUILT-IN BARBECUE WITH INSULATION JACKET DIMENSIONS AND CLEARANCES TO COMBUSTIBLE MATERIAL



| Model | Charcoal Deluxe Pro+1 | Charcoal Deluxe Pro XL+1 |
|-------|-----------------------|--------------------------|
| A | 1340mm | 1500mm |

CHARCOAL DELUXE PRO BUILT-IN BARBECUE CUT-OUT DIMENSIONS

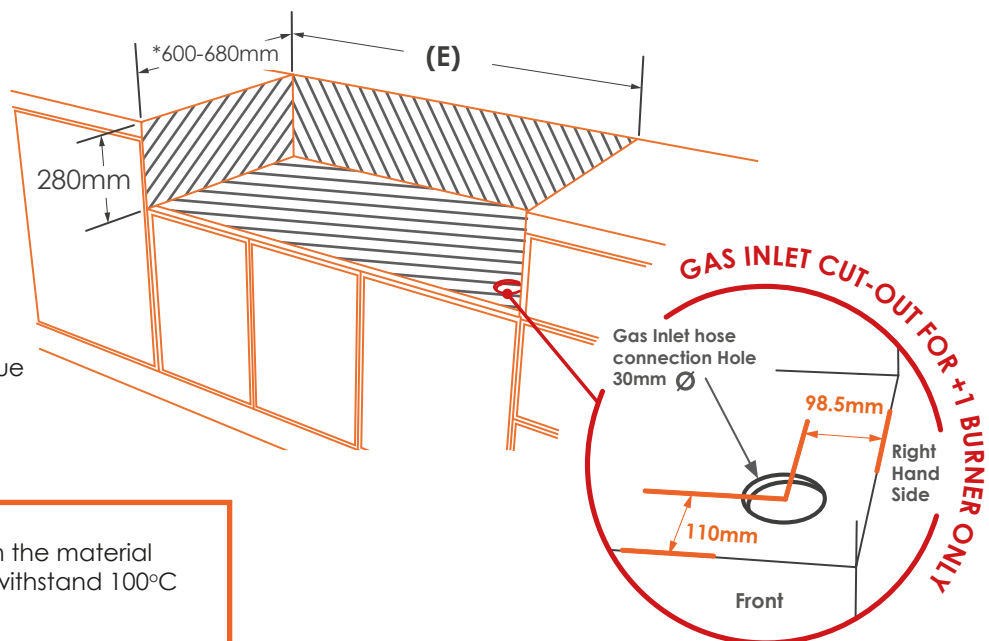
Non-Combustible Material surround



| Model | Charcoal Deluxe Pro | Charcoal Deluxe Pro XL |
|-------|---------------------|------------------------|
| E | 865mm | 1025mm |

CHARCOAL DELUXE PRO BUILT-IN BARBECUE WITH INSULATION JACKET CUT-OUT DIMENSIONS

Used for Combustible Material surround



NOTE * The 600mm is the barbecue depth size without the rear filler panel fitted.

IMPORTANT

It is important that you check with the material supplier if the material used can withstand 100°C for 24 hours continuously.

| Model | Charcoal Deluxe Pro | Charcoal Deluxe Pro+1 | Charcoal Deluxe Pro XL | Charcoal Deluxe Pro XL+1 |
|-------|---------------------|-----------------------|------------------------|--------------------------|
| E | 925mm | 1345mm | 1085mm | 1505mm |