

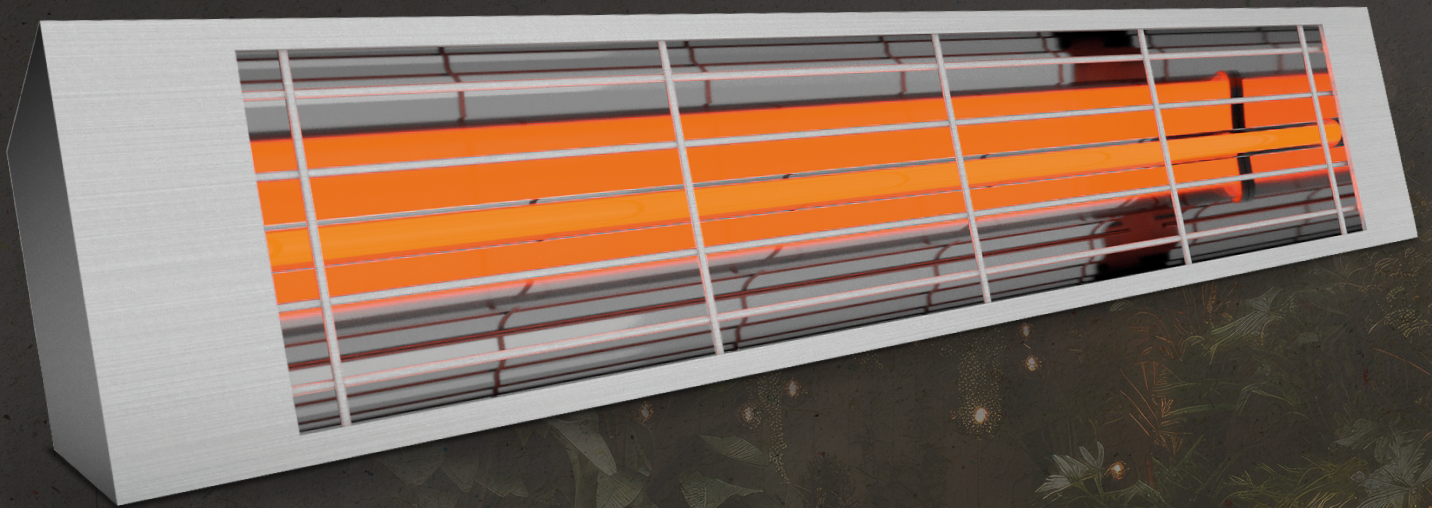


TUCKER
BARBECUES

ARCHITECTURAL SERIES RADIANT ELECTRIC HEATERS

**PRODUCT MANUAL FOR MODELS:
A2000, A3000, A4000, AD4000, AD6000.**

HEATERS MADE FOR COASTAL CONDITIONS.
316 MARINE GRADE STAINLESS STEEL CONSTRUCTION.
HIGH EFFICIENCY RADIANT INFRARED QUARTZ ELEMENTS.
DESIGNED FOR INDOOR AND OUTDOOR UNDERCOVER USE.





IMPORTANT

**Read all instructions before assembly, installation and usage of this Heater.
Keep this manual for future reference.**

V01.05.2024

IMPORTANT SAFETY INSTRUCTIONS	2
HEATER SPECIFICATIONS AND CLEARANCES	3
- HEATER SPECIFICATIONS	
- HEATER CLEARANCES TO COMBUSTIBLE MATERIALS	
HEATER INSTRUCTIONS AND ASSEMBLY	6
- HEATER WIRING AND ELEMENT INSTALLATION	
- ELECTRIC HEATER POWER WIRING	
LOCATION, MOUNTING AND MAINTENANCE	12
- HEATER LOCATION AND MOUNTING	
- WALL AND CEILING MOUNTING	
- FLUSH MOUNTING OF THE HEATER INTO A CEILING CAVITY	
- INCORRECT / CORRECT INSTALLATIONS	
- MAINTENANCE	
WARRANTY	16
- WARRANTY PERIOD	
- CONDITIONS OF THIS WARRANTY	
- NOT COVERED	

IMPORTANT SAFETY INSTRUCTIONS



WARNING FOR YOUR SAFETY

Read all instructions before assembly, installation and usage of this Heater.



SOURCE OF POSSIBLE IGNITION

- **Never** block the front of the heater.
- **Do not** install or operate the heater close to combustible materials.
- The front of the heater must not be installed closer than 1000mm from vertical surfaces.
- **WARNING!** Possible danger if installation is close to curtains and other combustible materials – The heater must be kept at least 1000mm from curtains and other combustible materials.



SOURCE OF POSSIBLE ELECTRIC SHOCK

- **Never** attempt to service this appliance without disconnecting the power supply.
- This appliance must be installed and serviced by persons with appropriate qualifications.
- When cleaning, the heater or the reflector always turn off or isolate the power supply.
- Children of less than 3 years should be kept away from the heater unless continuously supervised.
- Children aged from 3 years and less than 8 years shall only switch on/off the appliance provided that it has been placed or installed in its intended normal operating position and they have been given supervision or instruction concerning use of the appliance in a safe way and understand the hazards involved.
- Children aged from 3 years and less than 8 years shall not regulate and clean the appliance or perform user maintenance.

- **Do not** use the heater if the heating element is damaged.

HAZARDOUS FIRE OR ELECTRIC SHOCK MAY RESULT IF INSTRUCTIONS ARE IGNORED.






CAUTION: ELECTRICAL WARNING

- These heaters must be hard wired by an electrician.
- An isolation switch is required to be incorporated in the fixed wiring to achieve all-pole disconnection.
- A means for disconnection of this appliance must be incorporated in the fixed wiring in accordance with electrical wiring Codes of Practice and Electricity Regulations.
- The heaters are weather resistant due to their **IPX4** rating but they are not waterproof.
- The heater requires some form of protection above it to protect it from driving rain or snow if it is to be installed outdoors.
- The heater must be installed horizontally, failing to do so will void the warranty.
- This heater must not be installed in front of an electrical socket or below an electrical socket.
- Lights, fans, and sprinklers must not be located below a heater when it is installed.
- The minimum clearances from the heater to combustible materials must always be maintained, we recommend the use of a spirit level and tape measure when installing the heater.

HEATER SPECIFICATIONS AND CLEARANCES



TOOLS REQUIRED TO ASSEMBLE THE HEATER.

-  2x 9mm Spanner (Supplied With Heater)
-  Allen Key (Supplied With Heater)
-  Phillips Head Screwdriver

The following information is supplied to assist you with the assembly and installation of your heater.

HEATER SPECIFICATIONS

Technical Specifications for Alfresco Spaces, Architectural Series Electric Radiant Heaters.

Model	DIMENSIONS (mm)	POWER (WATTS)	CURRENT (AMPS)	WEIGHT	HEATING AREA (AVERAGE)
A2000	1095 L x 95 H x 205 W	2000 W	10 A	7.5 KG	2.5m X 3.5m
A3000	1650 L x 95 H x 205 W	3000 W	12.5 A	10.5 KG	3m x 3.5m
A4000	1650 L x 95 H x 205 W	4000 W	17.5A	10.5 KG	3m x 3.5m
AD2000	1095 L x 95 H x 205 W	4000 W	20 A	8 KG	3m x 3.5m
AD4000	1650 L x 95 H x 205 W	6000 W	25 A	10.8 KG	4m x 4m

Voltage 230-240V AC 50/60Hz, IP Rating IPX4

This heater must be installed to the requirements of AS/NZS 60335.1:2020+A1, AS/NZS 60335.2.30:2015+A1+A2+A3+A4.

Approval Cert. No. U21206 EA Australia / NZ / EU. Room Heater, Outdoor Heater.

Made by Alfresco Spaces PTY. LTD. - Tel.1800 076 071 Australia. www.alfrescospaces.com.au

NOTE The AD Model heaters have 2 x heating elements.

The adjustable mounting brackets offer a total height of 210mm.

MATERIALS OF CONSTRUCTION

316 Grade stainless steel body, grill and fixings.

Aluminium reflector shield

Quartz glass, carbon sprung element.

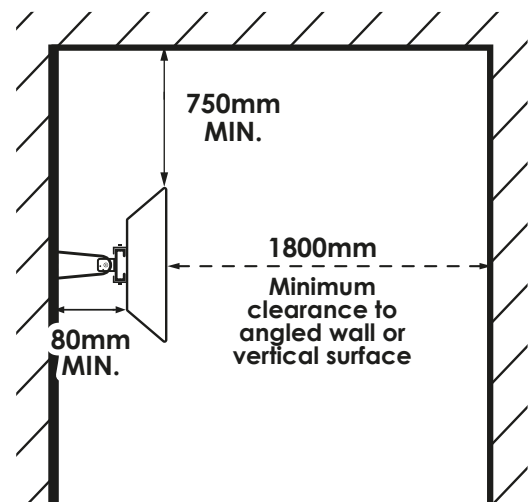
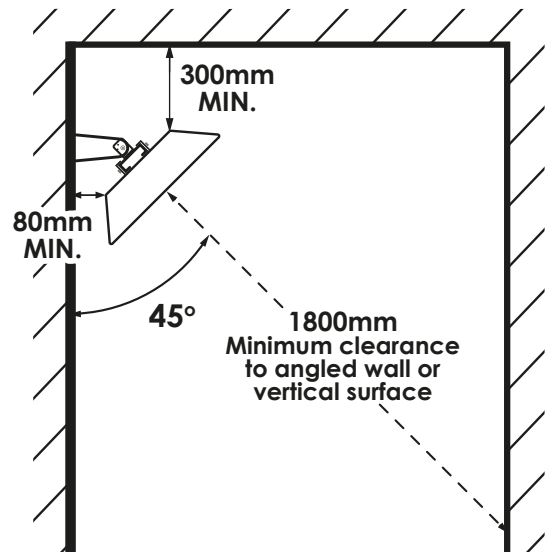
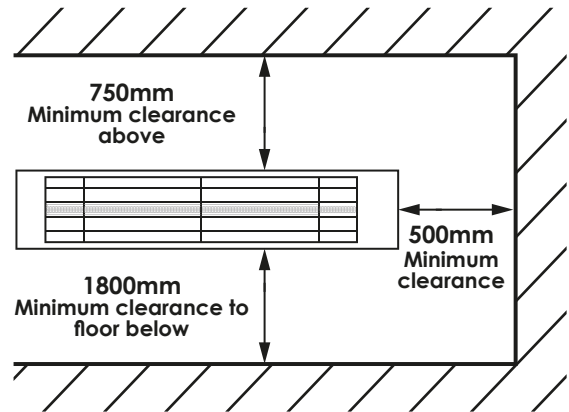
HEATER CLEARANCES TO COMBUSTIBLE MATERIALS

The minimum clearances from the heater to combustible materials must always be maintained, we recommend the use of a spirit level and tape measure when installing the heater.

- The heater must be installed horizontally.
- The heater must not be installed with the front face of the heater facing upwards.
- A minimum clearance of 1800mm from the front face of the heater to floor level must be maintained when the heater is installed.
- We recommend the heater be installed at a minimum height of 2400mm from floor level.
- We recommend the heater be installed at a maximum height of 3600mm from floor level.
- We recommend a distance of 1800 should be maintained from the front of the heater face to any combustible material, wall or vertical surface.
- When ceiling mounted the heater must be installed with a minimum clearance of 80mm from the rear of the heater to the ceiling behind it.
- When ceiling mounted the heater face can be tilted upwards to a maximum 45 degrees from face down
- When wall mounted the heater must be installed with a minimum clearance of 80mm from the rear of the heater to the wall behind it.
- When the heater is wall mounted it can be tilted downwards horizontally to a maximum of 45 degrees.
- A minimum clearance of 500mm must be maintained from the end of the heater to any adjacent wall or vertical surface.
- A minimum clearance of 750mm must be maintained from the sides of the heater to any adjacent wall or vertical surface.
- The heater can be hung from chains or other fire-resistant material provided that the above clearances to combustible materials are maintained.
- If you intend to install more than one heater in the same area, the sides of the heaters should be installed 2000mm apart and the ends of the heaters 1000mm apart.

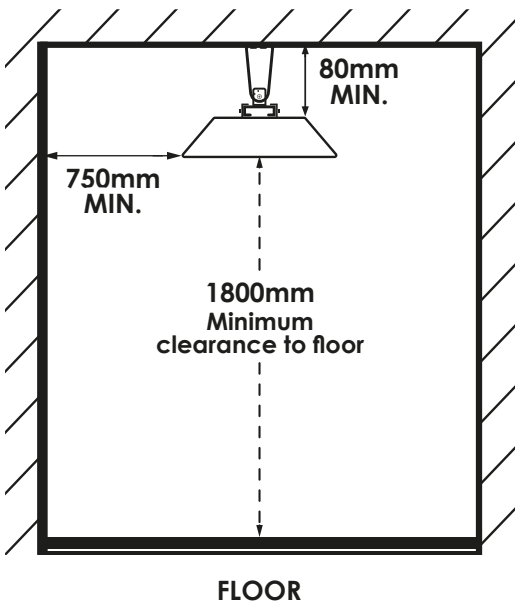
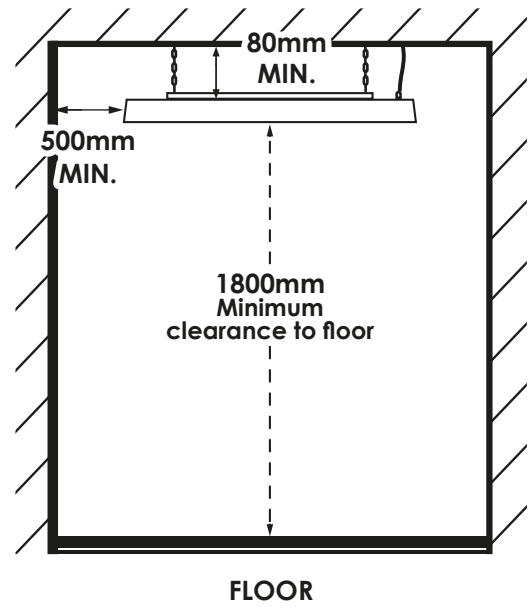
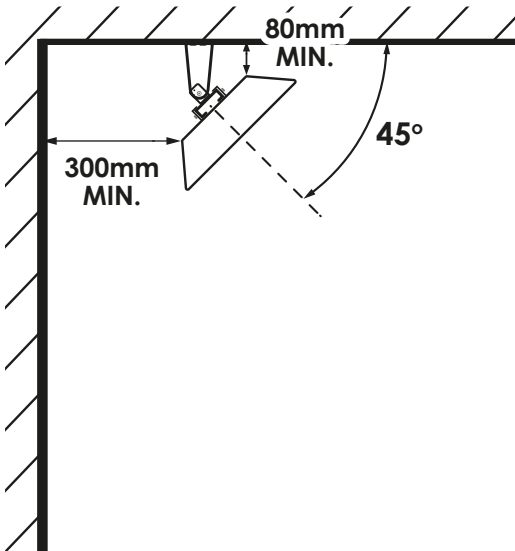
Wall Mounted

NOTE All clearances shown on the diagrams are all the minimum required.



Ceiling Mounted

NOTE All clearances shown on the diagrams are all the minimum required.



HEATER WIRING AND ELEMENT INSTALLATION

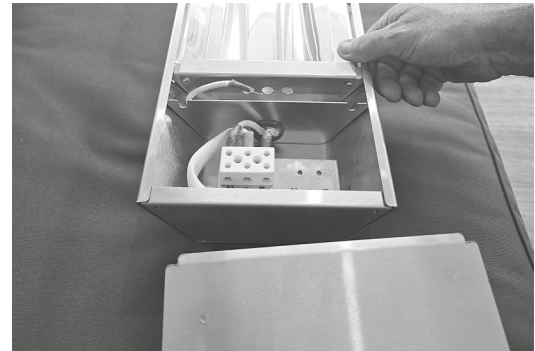


CAUTION: ELECTRICAL WARNING



**ONLY QUALIFIED ELECTRICAL
PERSONNEL MUST INSTALL
HEATERS.**

- The installing electrician will need to provide the appropriate rigid, flexible or liquid tight conduit for the installation location
 - Observe local electrical code regulations AS/NZS 60335.1.2020+A1, AS/NZS 60335.2.30:2015+A1+A2+A3+A4. When installing this heater.
1. Remove the allen key bolts securing the 2x cover plates in place at each end of the heater and slide them off the heater.



2. Remove the safety grill from the heater by pulling out the spokes from underneath the lip on one of the long sides of the heater first and then removing the spokes from the other side next, then gently lift the grill up from its center while carefully removing the grills spokes from the end panels, one end at a time.

NOTE Be careful not to damage the reflector panel beneath the safety grill.



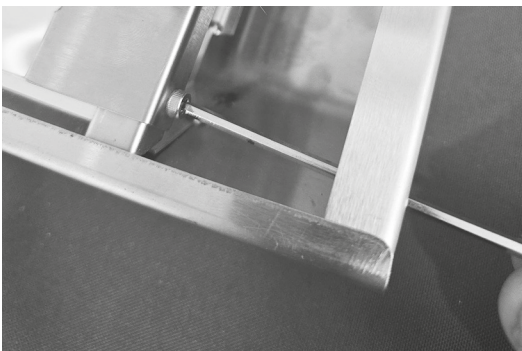
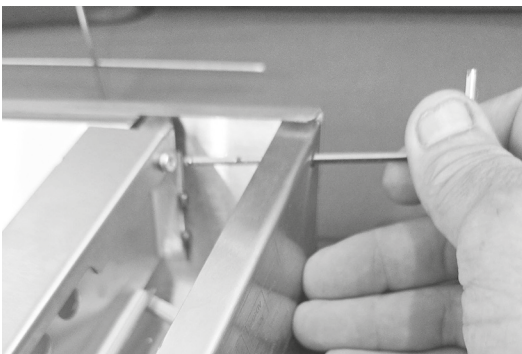
HEATER INSTRUCTIONS AND ASSEMBLY



3. Next, remove the 2 x end panels from inside the heater using the allen key supplied to remove the 2 x bolts at each end holding them in place.

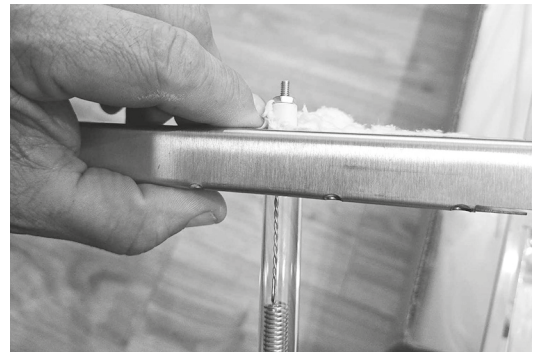
NOTE The two end panels are not the same widths, they must be replaced inside the heater in the same place as they were removed from.

Take care not to damage the reflector panel or the insulation wool packed inside the end panels when removing them.



4. Carefully pick up the glass element next and remove 1 x nut and the washer from each end, then carefully place one end panel over each end of the element and then lay the element with the end panels on each end back down into the heater.

NOTE Be very careful, the element is very fragile and must be handled with extreme care.



5. Slide the end of the element, that has the wider end panel placed over it into the locating hole at the opposite end to the junction box.



Then carefully locate the other end of the element, that has the narrower end panel sitting over it, into its position in the half round cut out at the opposite end of the heater.



HEATER INSTRUCTIONS AND ASSEMBLY



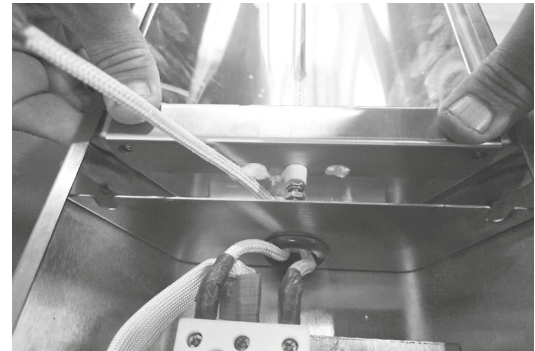
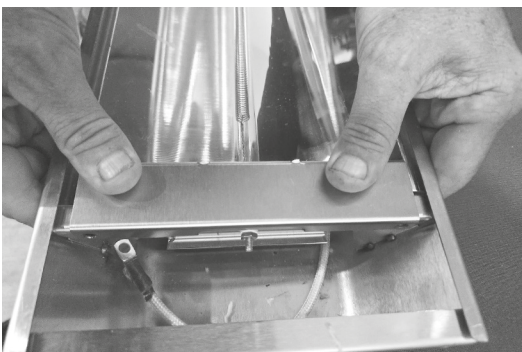
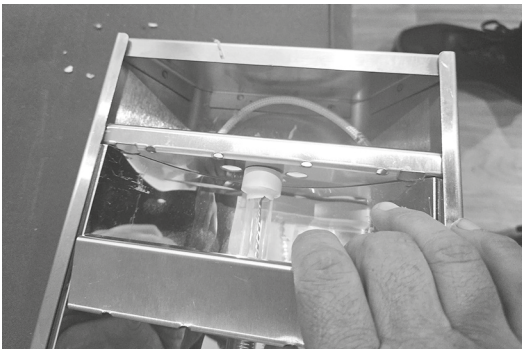
6. Carefully re-fit the end panels back into their correct locations and secure them back into the heater using the 2 x bolts you removed earlier.

NOTE Be careful when refitting the end panels back into the heater. When refitting the end panels with the glass elements sitting inside them, even the smallest amount of pressure applied against the glass can cause the glass to break.

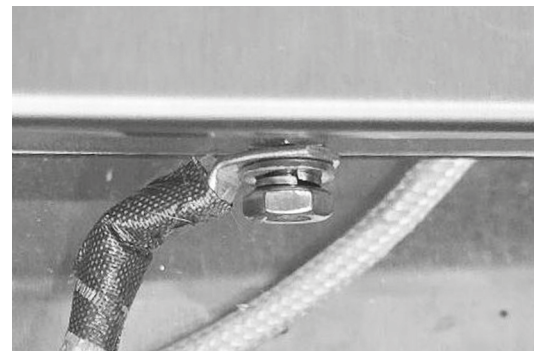
When tightening up the securing bolts, make sure to keep the end panels standing up vertically inside the heater until the bolts are tightened.

NOTE Both ends of the element should be penetrating the end panels by 20 -25mm.

Make sure the insulation wool inside each end panel is covering the entire internal surface of the panel before securing them back into place.



7. Place the wire lug at each end of the heater onto the ends of the element, then place a standard washer (supplied inside the bag of fixings), a spring washer and then a press nut to secure them onto the element at each end.



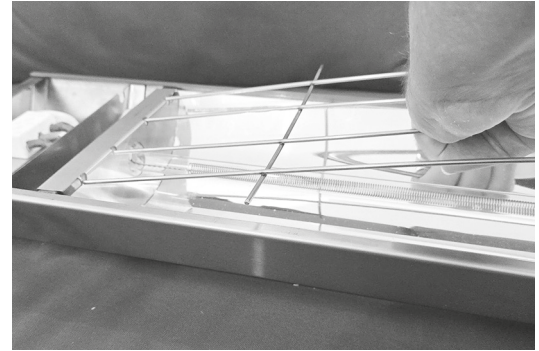
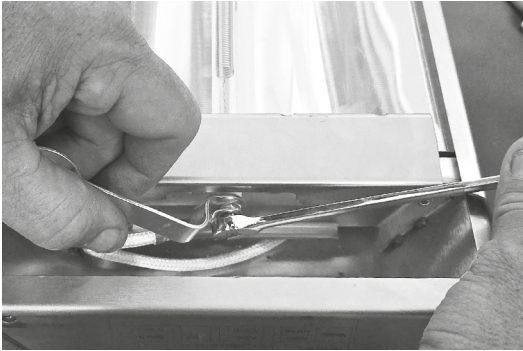
NOTE To tighten the lugs onto the element, fit the special 9mm spanner tool supplied with the heater over the fixed press nuts attached to the element.

The tool is designed to help you to hold the fixed nut from moving, as you tighten the outside nut up against the fixed nut which secures the lugs onto the element.

Make sure that the outside securing nuts are positively tight.

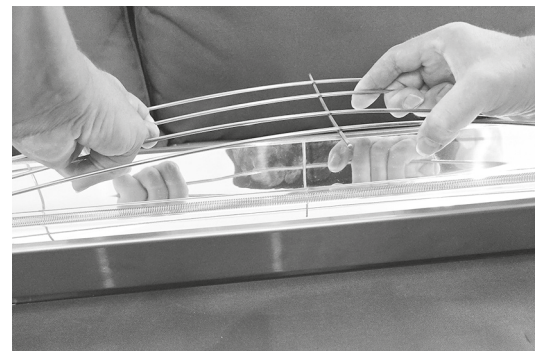
The installer is responsible to check that the orientation of the wiring cable connectors/ lugs inside the heater must be installed in a way so that the connections cannot earth directly onto the heater body when wiring up the heater and connecting the power supply cable to the junction box inside the heater.

HEATER INSTRUCTIONS AND ASSEMBLY

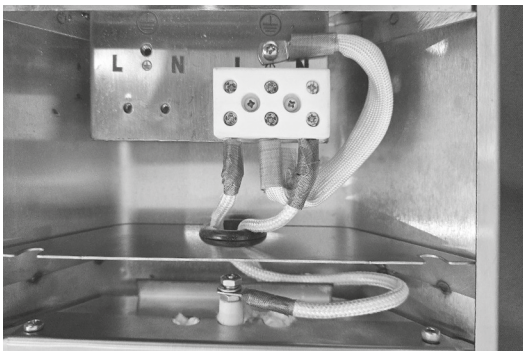


NOTE **Do not** try to turn the fixed press nut, only turn the outside nut.

Failure to do this correctly may result in the premature failure of the element and the warranty being void.



NOTE The AD Model heaters require two elements to be installed inside them, these heater bodies have provision for 2 x elements to be located inside them as well as 2 x sets of wiring and 2 x junction boxes installed inside the heater body.



8. Once you have the element and wiring securely fastened inside the heater, you can re-fit the safety grill back into the face of the heater by first locating the grill spokes at the ends of the grill into their location holes in the end panels.

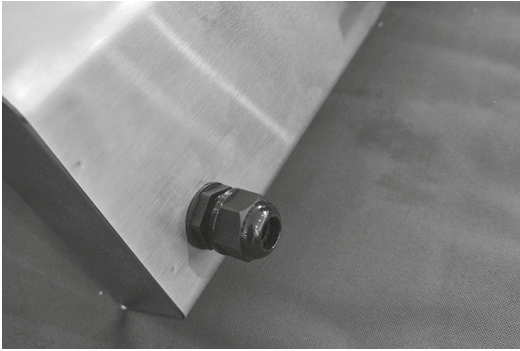
Then one at a time insert the grill spokes under the lip on the long side of the heater, then fit the remaining spokes on the opposite side.



HEATER INSTRUCTIONS AND ASSEMBLY



9. Attach the power supply cable and conduit to the heater by threading them through the nylon gland attached to the heater and then tighten the top screw on the nylon gland to secure the cabling.



NOTE Always check to ensure that the rubber sealing pad is correctly positioned around the nylon gland before tightening.

NOTE Use only copper wire suitable for 90 degrees celsius.

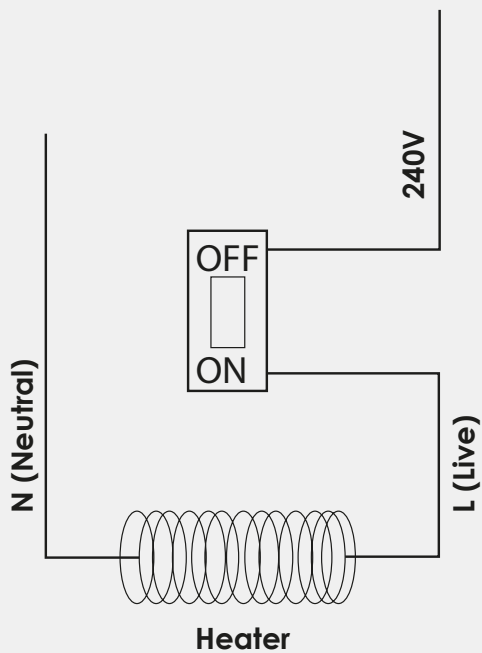
10. Attach the power supply cable to the ports inside the junction box and refit the cover plates back onto the ends of the heater and securing them with the allen key bolts.



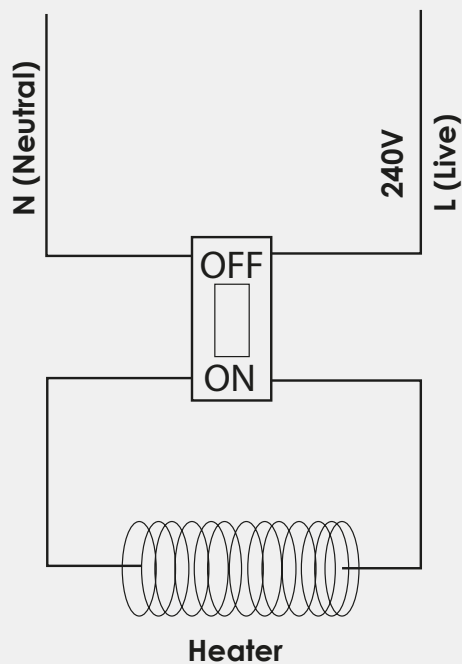


ELECTRIC HEATER POWER WIRING

Typical 240 volt wiring for single Pole switch.



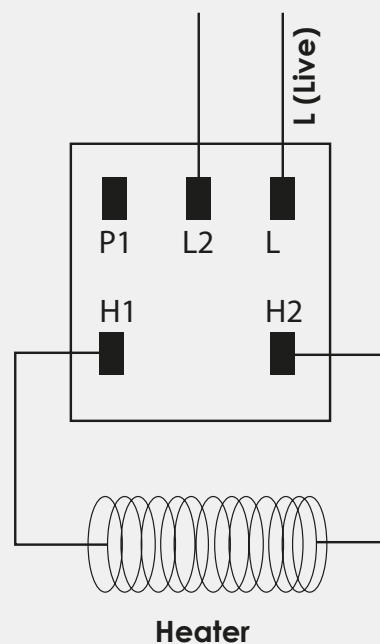
Typical 240 volt wiring for double Pole switch.



Wiring for optional 240 volt Dimmer Controller.

"Top" marked on rear of control must be installed in "up" position.

Control max load 15 amps.



HEATER LOCATION AND MOUNTING

The Architectural Series electric heaters use carbon sprung, quartz tube elements to deliver radiant heat which is ideal in situations where you need to heat spaces outdoors.

The elements are designed to deliver high heat outputs efficiently by transferring the radiant heat directly onto objects through infrared waves.

The heaters can be either ceiling or wall mounted, ideally the heater should be mounted centrally on a wall or over the top of the area you intend to heat.

The size of the Architectural Series heaters only changes in length, they are all made the same width and height.

When the heater is installed face down from a ceiling using the stainless steel brackets supplied, the brackets provide a clearance of 135mm from the rear of the heater to the ceiling.

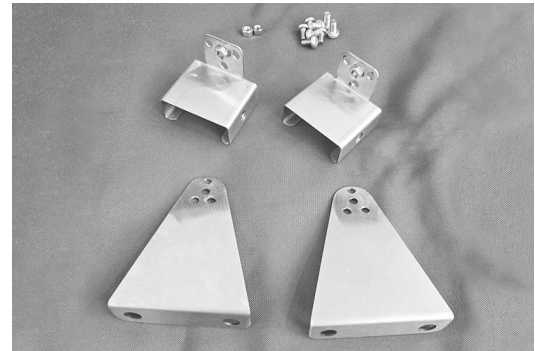
- A minimum clearance of 1800mm from the front face of the heater to floor level must be maintained when the heater is installed.
- We recommend the heater be installed between a minimum height of 2400mm from floor level and a maximum height of 3600mm from the floor level.
- We also recommend that the heater be installed a minimum distance of 1800 from anything combustible be it curtains, paintings, walls or vertical surfaces.

WALL AND CEILING MOUNTING

The heater is supplied with 2 x adjustable mounting brackets and the fixings to attach the brackets together and to the back of the heater.

There are 2 x parts to each mounting bracket supplied, 2 x triangular shaped wall or ceiling angle mounts that you fix to a wall or ceiling, and 2 x U shaped mounts that fit inside the channel rail on the rear of the heater.

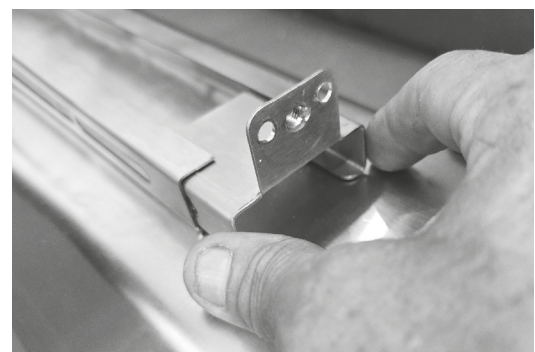
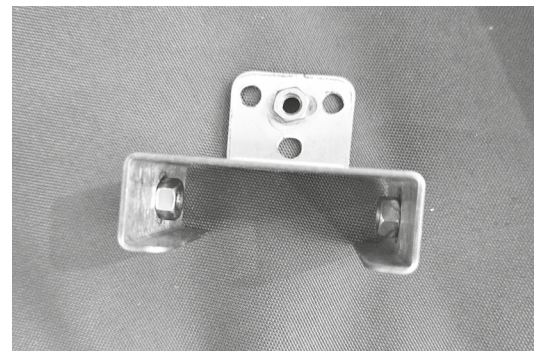
The 2 x triangular brackets have 2 x holes at one end for attaching it to a structural support and 4 x holes at the other end to attach it to the U shaped mounting bracket which attaches to the heater.

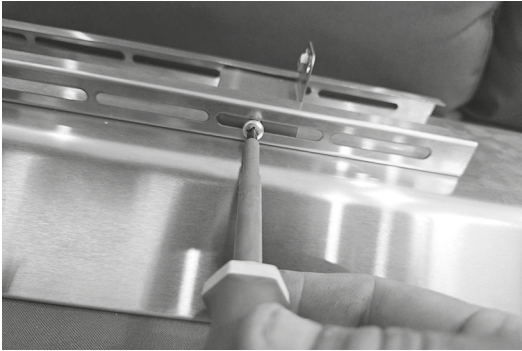


NOTE The triangular brackets must be securely fixed to a structurally supportive wall, ceiling, beam or any concrete or steel structural support that can support the heater's weight.

The fixings used by the installer to attach these 2 x triangular mounting brackets must be sufficient enough to secure and support a weight of 15 kg each.

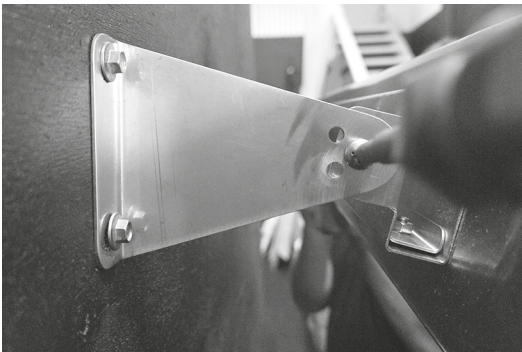
The mounting brackets when attached to each other allow the heater to be tilted downwards or upwards depending on the installation's requirements and they also allow the heater to be slid from left to right inside the channel on the back of the heater if required by the installer.



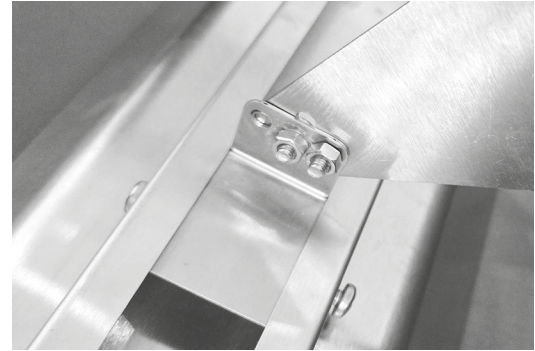


These features enable the installer flexibility with the positioning of the heater on site.

When installing the heater to a wall or ceiling using the adjustable mounting brackets supplied, we recommend first attaching the 2 x triangular shaped parts of the brackets to the wall or ceiling, making sure that they are level with each other and not fixed off wider apart than the length of the back channel on the heater.



Both the triangular and the U shaped mounting brackets have 4 attachment holes in one end of them which when used to attach the 2 x mounting brackets together, can secure the heater at either 45 degrees from a ceiling or wall or secure it at 90 degrees from a ceiling or wall.



The mounting brackets are supplied with 8 x phillips head bolts and 2 x nuts for the attachment of the brackets to the heater.

4 x bolts are used to attach the 2 x U shaped mounts to the rail on the back of the heater.

4 x bolts and 2 x nuts are used to attach the brackets together.

FLUSH MOUNTING OF THE HEATER INTO A CEILING CAVITY

If you intend to install the heater by way of flush mounting it into a ceiling cavity then the heater must be installed into a non-combustible box. The box must be fixed into the ceiling and have a fire rating of at least 1 hour at a minimum. The builder or contractor must see that the heater is safely installed and that the heater maintains all clearances to combustible materials.

The heater's front face must not in any way be covered in, and the face must protrude out from the cavity a minimum 20mm on all 4 sides. The cavity must offer a minimum 20mm clearance around the rear and all sides of the heater.

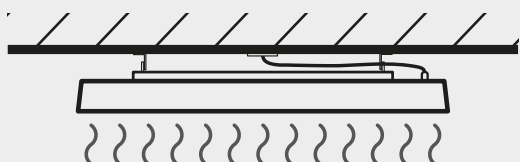
When installing this heater flush mounted into a ceiling, no joist, beams or rafters shall be cut or notched to install this appliance.

IMPORTANT:

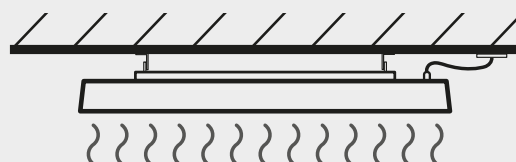
The heater must be installed horizontally. The minimum clearances from combustible materials must always be maintained.

INCORRECT INSTALLATION

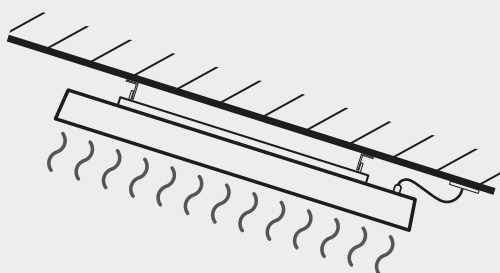
CORRECT INSTALLATION



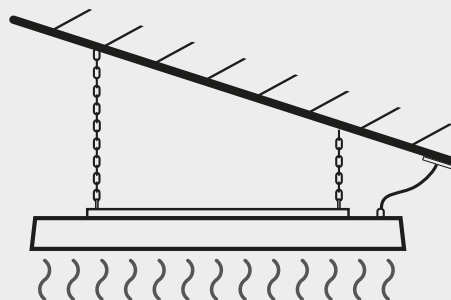
This heater must not be installed in front of an electrical socket or below an electrical socket.



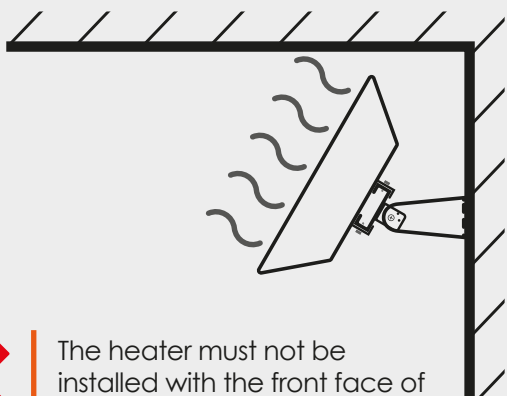
The heater can not be installed with any electrical sockets or power cables behind it.



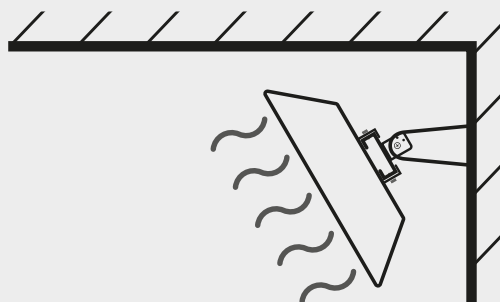
The heater must be installed horizontally, failing to do so will void the warranty.



For installations under inclined ceilings the heaters can be hung horizontally from chains.



The heater must not be installed with the front face of the heater facing upwards.



Always ensure the heater is facing into open space and maintains its clearance to combustible materials.

MAINTENANCE



CAUTION: ELECTRICAL WARNING

Always isolate the power supply to the heater before performing any maintenance or servicing of the heater.

To clean the reflector firstly isolate the power supply.

Remove the grill and wipe the reflector clean using glass cleaner or warm soapy water and a soft cloth.

Be very gentle around the quartz glass element as it is fragile.

Make sure that water and/or glass cleaner is removed and the heater is dry before reconnecting the heater to the power source.

This should be done every 3 months, or if the installation is right on the beach at least monthly.

If the heater has been in use, wait until it has fully cooled down before commencing any form of maintenance or cleaning.

Never handle the heater until it has fully cooled down.



Care must be taken when transporting / handling the heater as the quartz glass element is fragile.

ARCHITECTURAL SERIES HEATER WARRANTY

WARRANTY PERIOD

HEATER BODY	5 years
QUARTZ ELEMENT	1 years
REFLECTOR	5 years

CONDITIONS OF THIS WARRANTY

1. The appliance is to be delivered to TUCKER'S AUSTRALIA service department or authorized service agent and freight charges both ways are to be paid by the owner. No liability is accepted for loss or damage during transit.
2. The appliance is installed by a qualified person and operated and maintained in accordance with the instructions supplied.
3. Repairs and service must be carried out by an authorized person.
4. Installation must conform to the ASA/NZ standard AS/NZS 60335.2.30:2015
5. No alterations or repairs are to be carried out without obtaining the distributors prior consent.
6. Proof of purchase together with this warranty must be provided to verify purchase date and establish the warranty period.
7. Only the original purchaser is covered under this warranty.
8. Where this warranty is inconsistent with any state laws, the rights of the purchaser shall prevail.
9. Parts installed from other manufacturer's products will nullify this warranty.

NOT COVERED

The warranty does not cover the purchaser or any other person for damage, malfunction or loss due to the following:

- Lack of maintenance, abuse, neglect, misuse, accident, or improper installation of this appliance.
- Scratches, dents or discoloration caused by heat, abrasive or chemical cleaners.
- Surface rust.
- Cleaning and normal wear and tear.

- Unauthorized repairs during the warranty period.

WARRANTY AND SERVICE CALL CLAIMS THAT ARE FOUND TO BE FALSE OR NOT WARRANTABLE WILL BE CHARGED OUT.

FOR YOUR RECORDS

Model:

Serial Number:

Retailer:

Purchase Date:

ALFRESCO SPACES AUSTRALIA PTY LTD

Suite 6609/32 Wellington Street,
Bondi, NSW, 2026 AUSTRALIA.

PHONE: 1800 076 071

(+61) 0420 212 345

EMAIL: info@alfrescospaces.com

WEB SITE: www.alfrescospaces.com.au

DISTRIBUTOR - TUCKER AUSTRALIA PTY LTD.

138 Silverwater Road
Silverwater NSW 2128 AUSTRALIA.

PHONE: (+612) 9748 8368

FAX: (+612) 9748 8138

EMAIL: mail@tuckerbbq.com.au

WEB SITE: www.tuckerbbq.com.au



ALFRESCO SPACES AUSTRALIA PTY LTD

Suite 6609/32 Wellington Street,
Bondi, NSW, 2026 AUSTRALIA.

PHONE: 1800 076 071

(+61) 0420 212 345

EMAIL: info@alfrescospaces.com

WEB SITE: www.alfrescospaces.com.au



TUCKER
BARBECUES

DISTRIBUTOR - TUCKER AUSTRALIA PTY LTD.

138 Silverwater Road
Silverwater NSW 2128 AUSTRALIA.

PHONE: (+612) 9748 8368

FAX: (+612) 9748 8138

EMAIL: mail@tuckerbbq.com.au

WEB SITE: www.tuckerbbq.com.au