

# Twin internal fan Conversion kits for AGF1200Pro-1 and AGF1500Pro-2 Rangehoods

We are pleased to announce that we can convert the 1200Pro-1 and 1500Pro-2 to have onboard motors/twin internal motor system. This will eliminate the need for the roof fans.

## Advantages of the onboard motor system / Twin internal motor system:

- You can exhaust out the back of the rangehood, eave or side wall
- You will only need to run the one 300mm diameter flue to penetrate your roof In our 1500 Pro models

Included in (Twin / Rear) Kits	Included in (Twin / Vertical) Kits
1x Anodized weatherproof wall louver grill 350mm long x 250mm high	1x 5m long flexible duct, 305mm diameter
1x Galvanized square wall ducting to suit louver grill, 300mm long	1x 1000mm long of solid 305mm duct with roof cowl and bracket

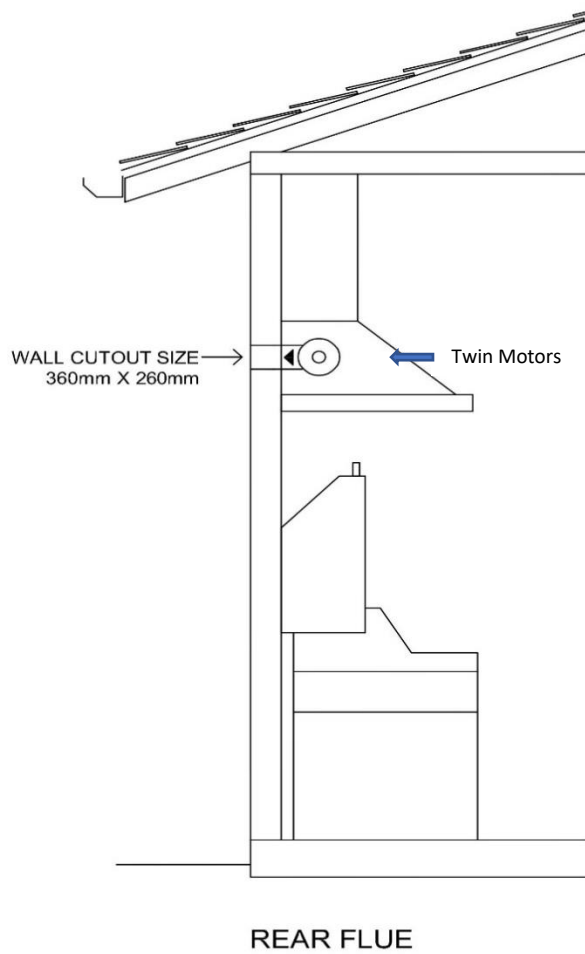
## Function and Switch

- 3 speed fan with light switch, mounted on rangehood
- Maximum suction of twin internal motors 3200m<sup>3</sup> per hour

**Note:** Motors will need to be placed inside the rangehood and will run louder than the outside roof fan due to the closer proximity, max 50 dba.

# INSTALLATION INSTRUCTIONS

**Model numbers for rear vented**  
**AGF1200Pro-1 (Twin/Rear)**  
**AGF1500Pro-2 (Twin/Rear)**



**Model numbers for vertical vented**  
**AGF1200Pro-1 (Twin Vertical)**  
**AGF1500Pro-2 (Twin Vertical)**

