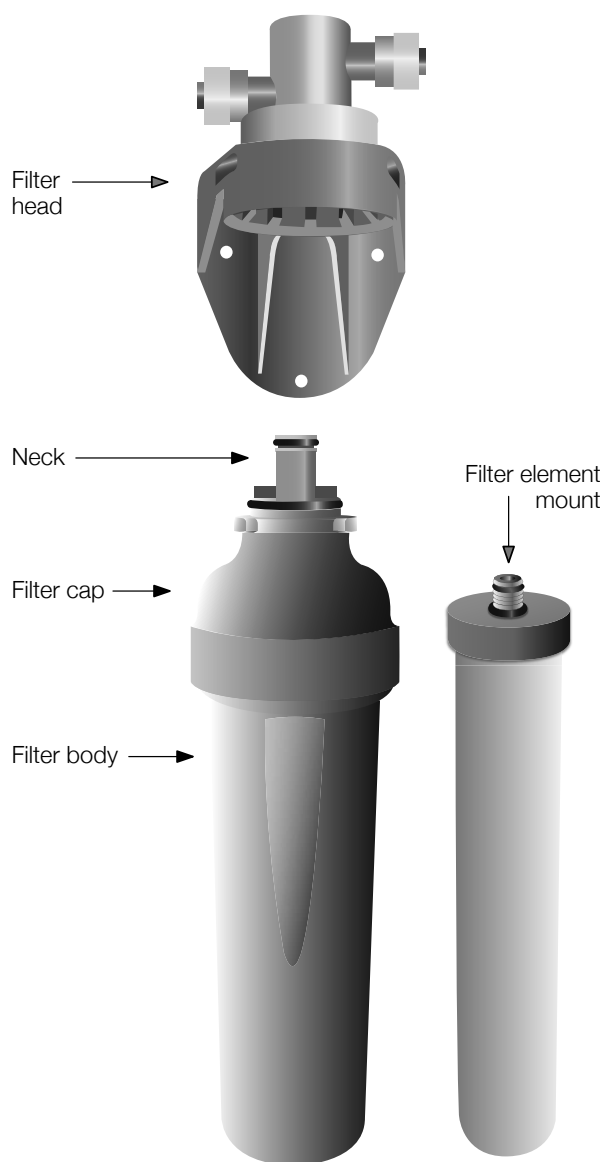


## Filter Installation Instructions

Figure 1



### Operating conditions

**Maximum working pressure: 6 bar (90psi) - see note\* on page 4**

**Maximum working temperature: 30°C (86°F)**

**Minimum working pressure: 1.4 bar (20psi)**

**Minimum working temperature: 5°C (41°F)**

**Maximum plastic housing life: 10 years - see note\* on page 4**

**PLEASE NOTE: Allowing the unit to freeze will invalidate the product warranty**

### Important

1. This filter is intended for installation under the sink away from direct sunlight
2. This filter is not designed for the treatment of hot water and should only be connected to the cold water supply
3. It is important to wear rubber gloves or wash your hands thoroughly before and after servicing the filter
4. Care must be taken at all times to prevent contamination of the neck of the filter cap and stem of the filter element mount by contact with unfiltered water or dirty hands after cleaning the filter element surface

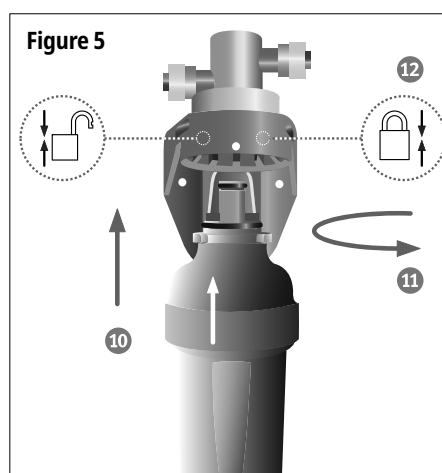
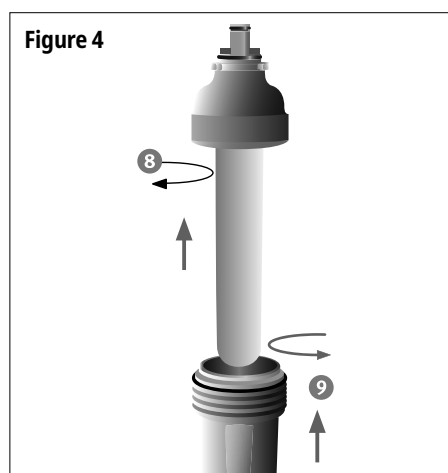
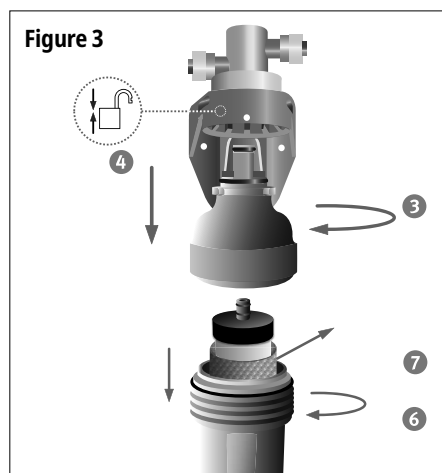
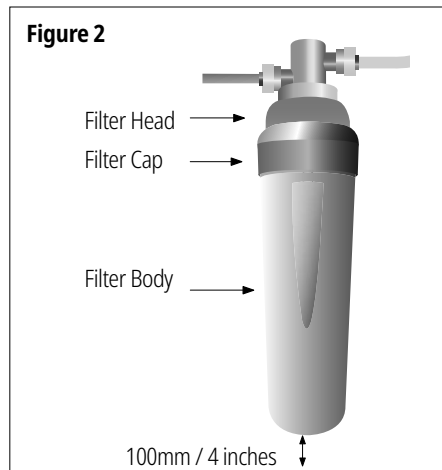
### Connecting Pipework and Fittings for either the 1/4" or 3/8" models:

The filter is supplied with pushfit connections. Medium density polyethylene tubing from a reputable supplier is recommended. An isolation valve and non-return valve should be fitted of the filter (these are required by law in the UK).

The isolation valve may be used to regulate the maximum flow rate in accordance with the requirement of the filter element used. Having selected the appropriate fittings, a user valve/faucet should be installed in accordance with the manufacturer's instructions in a convenient position and then connected downstream of the filter.

## Detailed guide to fitting the filter element - figures 2, 3, 4 & 5

1. Locate the filter in an upright position near to the incoming cold water supply and the user tap/faucet.
2. Ensure that the connecting pipework will not have any sharp bends in it and allow at least 100mm (4") of clearance below the assembled filter for removal of the cartridge to service or replace - **see figure 2**.  
Mark the required head position for fixing.
3. Grip the grey filter cap, twist to the 'unlock' position - **see figure 3**.
4. Pull down to disengage the filter cap from the head.
5. Fix the filter head to the unit or wall with the 3 screws provided.
6. Unscrew the filter body from the filter cap.
7. Open the filter and discard the protective bubble bag from the filter element.
8. Screw the threaded element mount stem into the grey cap until washer resistance is felt.  
**Do not over-tighten - see figure 4.**
9. Screw the white filter body into the grey filter cap until a positive stop is felt - **see figure 4**.  
**Note:** The inside of the filter cap is greased. Before screwing together ensure no dirt or particles are stuck to either the filter cap or filter body 'O' ring.
10. Align the arrows to the unlock position and push the assembled filter firmly into the head until it clicks into position - **see figure 5**.
11. Twist the white filter body until the locked position on the head is reached - **see figure 5**.
12. Check that the arrows align to ensure that the filter is fully locked - **see figure 5**.

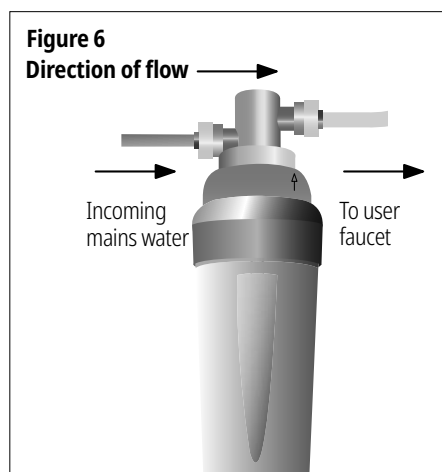


## Select correct pipe for installation

The filter is supplied in either 3/8" or 1/4" push-fit versions to allow connection to your water supply and faucet using either 3/8" or 1/4" flexible, medium density polyethylene tubing. A user valve/faucet should be installed in accordance with the manufacturer's instructions in a convenient position and then connected downstream of the filter. For advice on the tubing and fittings required to connect your filter please contact a reputable dealer/agent.

## Connecting the filter

Turn off the cold water supply and connect the inlet tubing to the inlet port of the filter. Connect the outlet tubing to the other side of the filter - **see figure 6**. Check that the arrows on the ports of the head are pointing in the correct direction of flow and that the tubing is pushed into the fittings **to a minimum of 18mm (0.75") depth**.



## Prepare filter for use

1. With the user faucet open, slowly turn on the mains water to allow the system to fill gradually and run the filtered water to waste for 10 minutes (or 15 litres).
2. Close the faucet and check for leaks.
3. Leave to stand for 24 hours to condition the ceramic filter element, then run water to waste for a further 10 minutes. The filter is now ready for use.

## Servicing the filter - removal of the filter element

1. Grip the textured rim of the grey filter cap, twist to the 'unlock' position, taking care not to trap fingers and pull down to disengage - **see figure 7. Note:** If filter has had little use prior to servicing, twist to the 'V' vent position and open the user faucet (to relieve pressure in the filter) twist the grey cap to the 'unlock' position and pull down to disengage the filter whilst the faucet remains open.
2. The water supply is automatically turned off when the filter is dismantled.  
**Note:** If filter is to be left unattended whilst dismantled for an extended period of time (i.e. over 1 hour) then the upstream mains water supply should be isolated.
3. Take the filter cartridge to the sink - remembering that it is still full of water.
4. Unscrew filter cap to remove the filter body and empty the water into the sink, taking care not to contaminate the open ended neck of the filter cap with unfiltered water
5. Disconnect the filter element by either twisting and pulling or unscrewing (depending upon the type of element used) whilst holding the filter cap. Care must be taken to prevent contamination of the neck of the filter cap and filter element mount stem.
6. Replace the filter element or clean as described in the following section and then wash your hands.  
**Note:** If replacing with a new filter element, prepare the filter for use as described in the 'prepare filter for use' stage above, or as per the Operating and Exchange Instructions supplied with the filter element.

## Cleaning the filter element - figures 8 & 9

Due to filtration of particulate contaminants from the water during use, the flow of the water from the filter may reduce over a period of time. To restore the water flow to its normal level, simply clean the cartridge as follows:

Hold the filter element in a bowl of water or under running water, taking care to ensure that the open ended plastic mount is clear of the water - to avoid contamination - **see figure 8.**

Take a clean kitchen scouring pad in one hand and cup it around the circumference of the filter element at the top - next to the mount.

Press gently onto the candle surface with the kitchen pad, whilst quickly turning the element with the other hand.

Applying a gentle even pressure with the scouring pad slowly work down the length of the filter element once, ensuring that the cleaning is uniform over the whole candle - **see figure 9.**

Figure 7

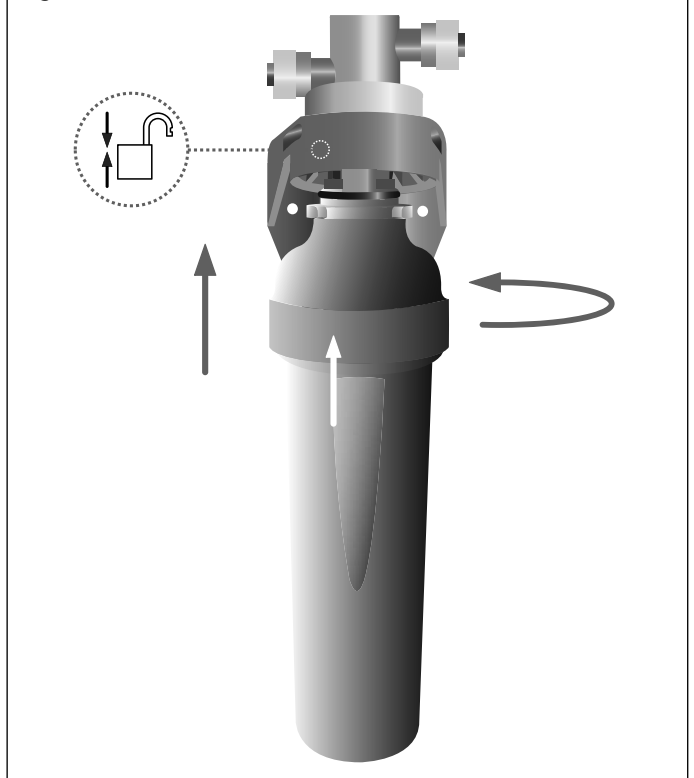


Figure 8

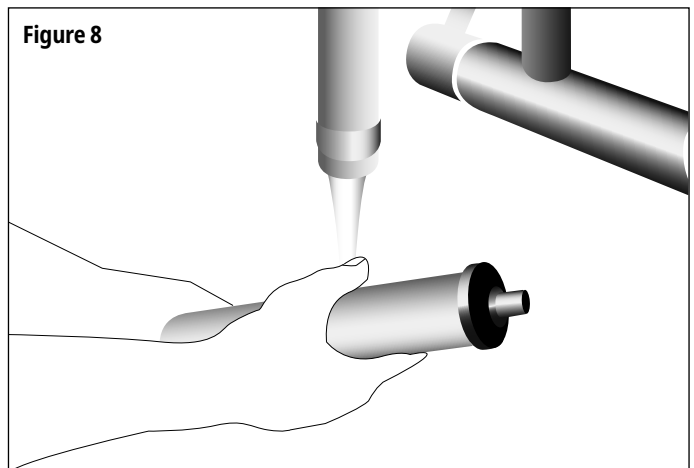
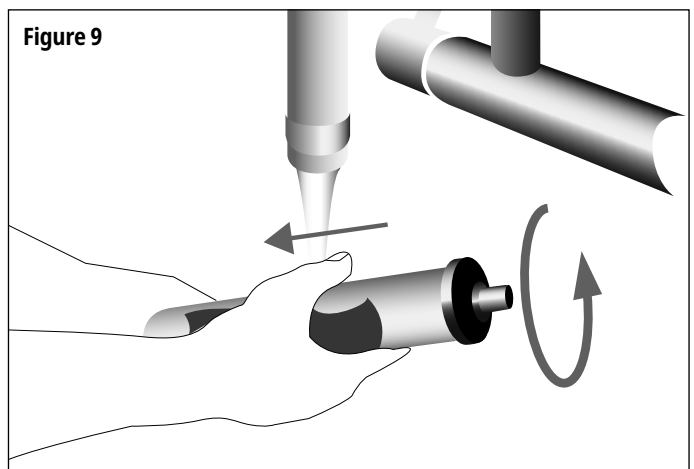


Figure 9



## Servicing the filter - replacement of the filter element

1. Refit the filter element as follows, taking care not to contaminate the stem of the mount:  
Screw the threaded **element** mount stem into the grey filter cap until washer resistance is felt. **Do not over-tighten – see figure 10.**
2. Reassemble filter by screwing parts together until stop is reached.
3. Now wash your hands thoroughly.
4. Refit the assembled filter into the head aligning the arrows to the unlock position and push up.
5. Twist until the stop position is reached.
6. Check that the arrows are aligned at the lock symbol as illustrated in **figure 11.**  
At this point the water supply is automatically restored.

## Cleaning the system

**Note:** The filter housing seals and seal faces are lubricated with silicon grease to ensure that they remain water tight. Care must be taken **not to remove** the silicon grease during cleaning.

To clean your housing wipe externally with a warm damp cloth. The following substances should be avoided:

- Strong oxidising agents such as bleach or Milton solution
- All strongly acidic materials including some descalants
- Strongly alkaline materials

## Disposal of used filter elements

After fitting a replacement filter element, the old element can be wrapped in newspaper and disposed of with your usual household waste.

## \*Pressure information

**This filter has satisfied the NSF Stds 42 and 53 structural test criteria. However, due to the potential wide variations of pressures from one installation to another, the manufacturer advises that if there is any concern that the system would see pressures above 6 bar then an approved pressure reducing valve set at 6 bar should be installed upstream of the filter to eliminate any extreme variations of pressure.**

**Note:** Water fittings for use in permanently pressurised systems have a finite life. It is important that the plastic components in the system are replaced after 10 years usage.

## Parts & service availability

Contact your local dealer/agent.

### LEGAL DISCLAIMER.

In the absence of any negligence or other breach of duty by us, the installation and use of this product is entirely at your own risk. You must at all times observe and comply with our instructions (whether set out in the appliance manual or otherwise) relating to the installation and use of this product. We will not be liable nor responsible to you for any loss or damage, legal disputes or conflicts of interests and other adverse events you suffer as a result of your failure to observe or comply with our instructions or otherwise results from your misuse or irresponsible or negligent use of the product or as a result of any events outside of our control. To the maximum extent permitted by any applicable laws, we make no warranty, representation or guarantee (whether express, implied or otherwise) regarding the fitness, merchantability, or suitability of this product for any unreasonable or unforeseeable purpose. This disclaimer does not affect your statutory consumer rights or otherwise restrict or limit any liability that we cannot lawfully exclude under any applicable laws.

## Manufactured by:

Doulton Water Filters, Newcastle, Staffordshire, ST5 9BT, United Kingdom.

Telephone: +44 (0) 1782 664420

Fax: +44 (0) 1782 664490

Email: filtersales@doulton.com

Website: www.doulton.com

Doulton® and Sterasyl® are trademarks registered to Fairey Industrial Ceramics Limited.

Patent No: GB2465622

Figure 10

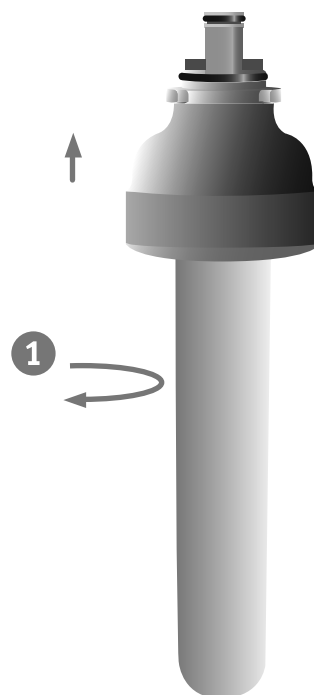
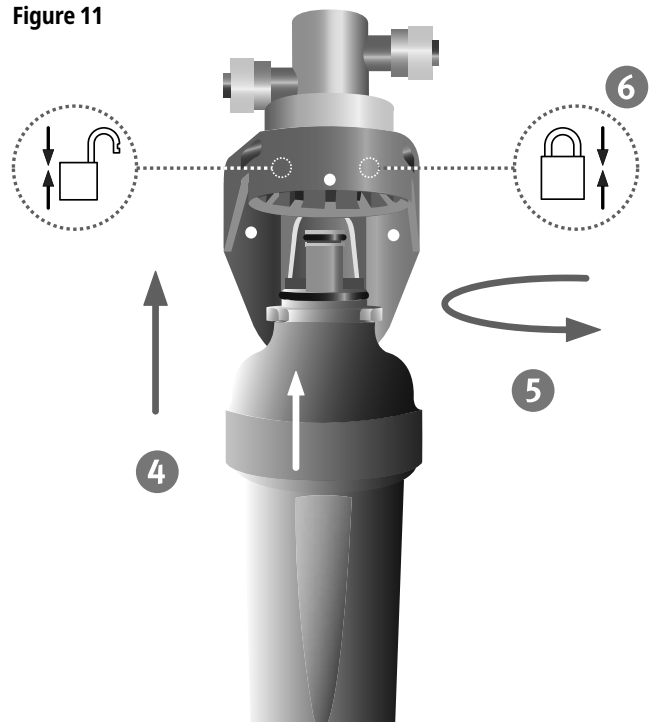


Figure 11



## Product warranty

Your EcoFast filter housing is covered under warranty for 12 months from the purchase date of the product against any failure due to defect of materials, workmanship or design of the filter housing. Please retain your receipt as proof of purchase.

To register your EcoFast housing product warranty please visit:

**www.doulton.com** and complete the Product Registration Form including the serial number found on the cartridge body label and the date of installation.

Expected usable lifespan of the housing is 10 years.

A GENUINE  
WATER FILTER

MADE IN  
BRITAIN

