



99FAB LLC

30 North Gould St, Ste 7044
Sheridan, WY 82801
(307) 278-7499

Wooden Bluetooth Speaker

English Manual

Product Overview

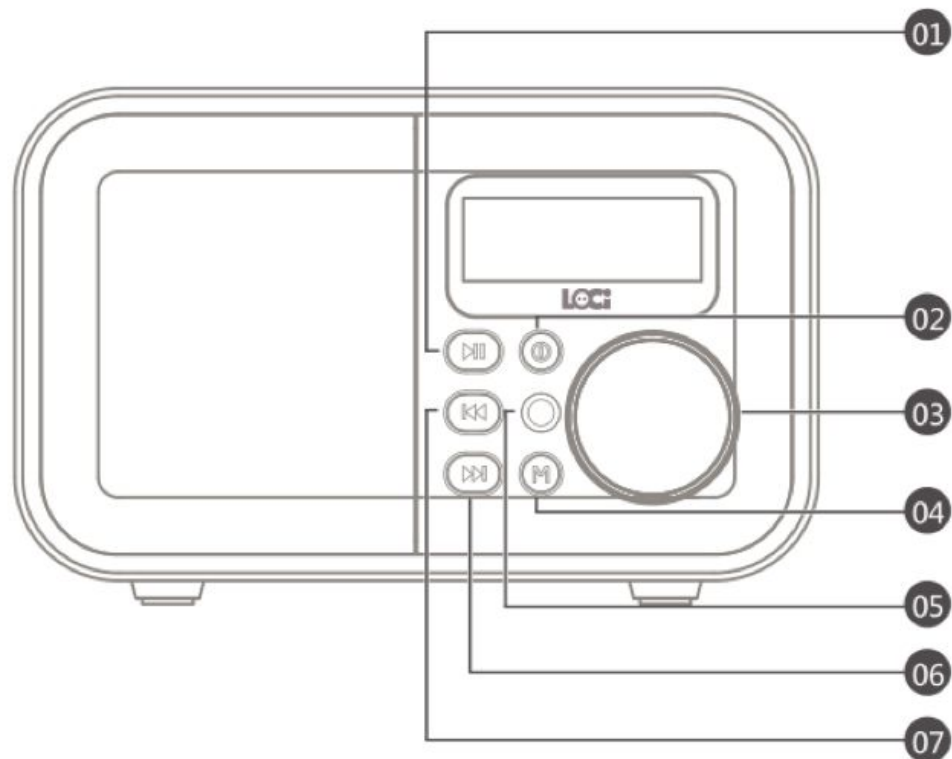
Remote Control Wooden Bluetooth Speaker With FM Radio Alarm Clock Display Time Support
USB TF Card Play Wooden Subwoofer Speaker.



Functional characteristics:

1. FM receive
2. U disk /MicroSD (TF)
3. AUX-IN external audio input
4. Bluetooth hands-free phone, music player
5. Support is preferred.
6. Infrared remote control
7. Button operation, 360-degree rotation incremental volume controller
8. External 5V DC charging
9. The backlight LCD display, three kinds of backlight brightness selection
10. Time display

Manual



1. Play/pause button

Radio Status:

Short press --- mute effect

Long press --- automatic search

Bluetooth playback status:

Short press --- play / pause

Long press --- re-match

Bluetooth call status: short press --- hang up / answer

Clock status: long press ---- alarm settings

When playing an external audio signal: Short press --- Mute effect

3

Play U disk / TF card music: short press --- play / pause

02. Switch machine key

Long press switch machine

03. Volume button

Any playback state

Turn counterclockwise - the volume is weakened

Turn clockwise --- volume enhancement

04. Function keys

Short press ---- CLOCK / USB / SD / FM / AUX / BLUETOOTH switch

Clock state

Long press ---- time setting

Bluetooth status

Long press ---- refused to answer the phone

05. Infrared receiver port

06. Forward key

When playing U disk / SD card music

Short press --- previous track

Long press fast forward

Radio status

Short press --- previous one radio

Long press --- up search

07. Back key

When playing U disk / TF card music

Short press --- after a track

Long press --- rewind

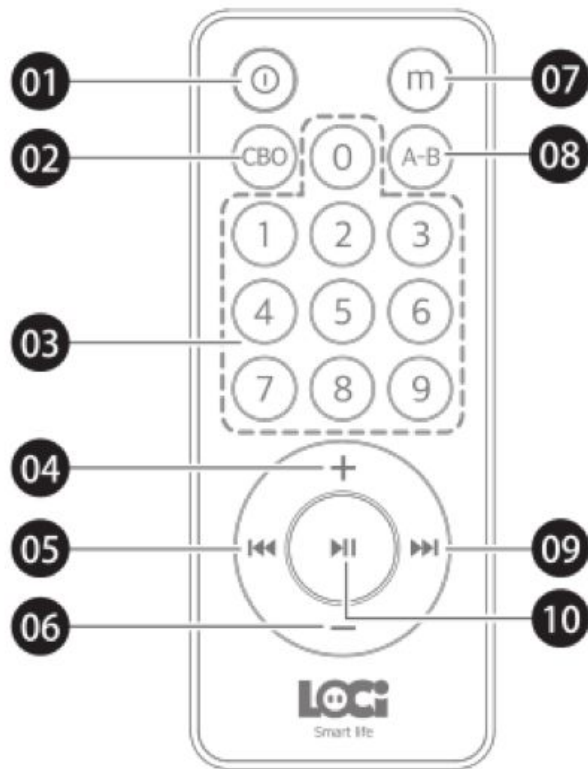
Radio status

Short press --- after a radio

Long press --- down to search Taiwan

Bluetooth playback status

Short press --- after a track



01. Soft on/off key

02. Play mode switch key

03.0-9 Numeric key / read U disk /
TF card long press "0" word
Key for EQ mode

04. The volume increases

05. Read U disk / TF card is on One,
when the radio mode is On a radio
station

06. Volume down

07. Mode switch key

08. Repeat AB segment playback

09. Read U disk / TF card for the next
One, when the radio mode is
The next radio station

10. Play / Pause button

Instructions

① the machine press the host power button for 3 seconds to turn on the power, backlighting, display 'LOAD' into the functional state

, The priority display time, the initial use, time from 00:00 onwards.

② press the MODE key to switch the function, CLOCK / USB / TF / AUX / FM / BLUETOOTH cycle Switch, in the USB / TF / AUX / FM / BLUETOOTH function playback, you can long-press the remote control

"3" key to view the current time

③ music playback maximum volume of 32, boot the default volume of 15

④ backlight default brightest state, long-press the remote control "2" key has three levels of brightness optional

Time setting

The machine has years, months, days, 24 hours, minutes display, you can set the sleep shutdown.

① to change the calendar, turn on the clock function in the state or press the MODE key to switch the clock function, and then long-press the MODE key 3

Seconds to enter the time setting, the display last year characters flashing, then turn the volume button to change the year value.

② set the year after the short press MODE key to set the month, the MONTH on the display below the number of flashing,

Turn the volume button to change the month value.

③ set the date, hour, minute, and sleep time in the same way.

④ to complete the calendar, sleep time set 10 seconds after the automatic exit, or long-press MODE key to exit, return to Zhong Xian Show function.

Alarm set

This unit can set up four groups of alarm, can be set according to the following steps

① in the function state short press the MODE key to select the time function, and then long-press the PLAY button for 3 seconds into the alarm settings, display

One of the screen alarm characters 1-4 is flashing.

6

② short press the MODE key to making the number of hours flashing, then turn the volume button to change the alarm time value.

③ short press the MODE key to make the number of points flashing, turn the volume button to change the score value, set a good time, and then short press MODE to confirm the setting.

④ set the alarm clock can choose whether the time after the alarm, when the alarm clock flashing time, short press the PLAY button

Select ON or OFF to select ON The alarm mark on the screen will light when the alarm is set, indicating that the alarm is on.

⑤ want to set up several other sets of alarm time, in the lower right of the alarm when the alarm is flashing, turn the volume button

Select the other three groups of alarm, and then press the 2-3 step method settings.

⑥ operation to complete the alarm clock set 10 seconds after the automatic exit, or long-press MODE or PLAY key to exit, return function status.

⑦ If the alarm is set to On, when the alarm time comes, in any state will issue a minute "BE..BE" sound

Sound, during the alarm, press the remote control or host button, the alarm will stop; if no one to stop the alarm

, After the first alarm every 5 minutes after the re-alarm once, after repeated twice the end of the day the group alarm clock reminder

FM function

① Press the MODE key to switch to the radio

② the first use, long press 3 seconds host key or press the remote control button to start an automatic search, the frequency of each order 100KHZ

From 87.5-108MHZ back search, search the station to P01-P50 way to automatically save.

③ short press the host or remote control or key to select a saved station or the next radio station; long press for half

Automatic search will search up or down the current frequency of a recent radio, this station will not save, according to "0" key

Move to save.

④ press the host or remote control key to achieving on / off mute.

⑤ In the stored station, use the remote control number keys to enter 1-2 digits to adjust the desired station; enter 3-4 digits

Direct election of the desired channel, if you want to receive 90.1MHZ, press the play key after pressing the 901 key to confirm.

Play the music in the U disk or TF memory card

① will be stored in MP3 format music U disk or TF card into the corresponding port, then the display shows "USB or TF" and then display

The total number of tracks and then show the number of tracks to play after the start automatically play music; (The machine supports a maximum of 32G capacity of the U disk and TF card, the maximum support bit rate of 320kbps)

② short press or key for the last song or next song;

③ long-press or rewind or fast forward songs;

④ short button can be achieved playback / pause

⑤ You can use the remote control number keys to enter the track you want to play, such as press 100 and PLAY key to confirm, then from the current track to broadcast

Put the first 100.

⑥ to choose a different sound field effect, play long-press the remote control 0 key cut NORMAL / ROCK / POP / CLASS / JAZZ / BASS.

⑦ to select the playback mode, all cycles (ALL), random cycle (rAnd), single cycle (SIng), play in the remote

Switch CBO key to switch, or long-press the host "MODE" button.

⑧ To repeat a certain piece of music, press the remote control key during playback, the display shows "P - A"

Open has selected the starting point when playing for some time and then press the key, display "P - b" that selected the end

The point, the host will repeat the selected piece of music. In the broadcast section select music, then press the key to display "

P - E "to indicate that the segmented playback has been exited.

Bluetooth pairing/transmission & handsfree calls

① press the MODE key to switch to the Bluetooth mode, the display shows "BLUE" words and will hear "beep - tick"

Soon, that Bluetooth has been turned on and into the connection state.

② use Bluetooth devices, such as mobile phones, open the phone on the Bluetooth function, search to the name of "D90" Bluetooth set

And then click on the "D90" to connect, about 20 seconds later will hear 'boom' of a sound that the connection is successful.

③ open the phone on the music player, you can put the music on the phone through the main machine to play out.

④ in the playback state, short press the pause button to pause the music, then short press the pause button to play music.

⑤ Short press on a key once for the previous track, press a song once for the next track (remote control operation also

it's the same).

⑥ pull out the phone through the phone, connected to achieve hands-free call, press the pause button during the call if the

Is called, press the pause button to answer the phone, long-press the pause button to disconnect the Bluetooth connection, and then long-press the pause button and the previous device auto-connect.

⑦ The machine supports Bluetooth version: V4.0 + EDR.

External auxiliary play mode

① in the boot state, the external audio cable Φ 3.5mm plug into the "AUX" socket, then display "AUX" words, you can broadcast

Put the music of the external source.

② In the playback state, short press the key to turn on / off