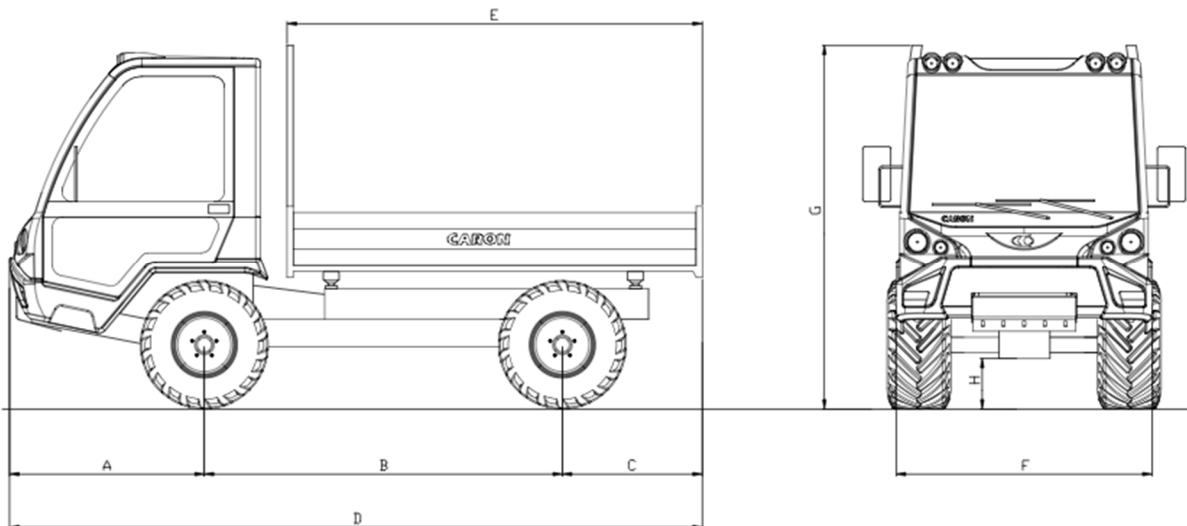


TECHNICAL FEATURES

MODEL	CTS 77	CTS 105	CTS 110
ENGINE	Kohler KDI 2504TCR	VM R754EU5	VM R754IE4
N° CIL / cm ³	4 Common Rail / 2500	4 Common Rail / 2970	4 Common Rail / 2970
TYPE	Turbo Diesel	Turbo Intercooler Diesel	Turbo Intercooler Diesel
COOLING	Water		
POWER	56kW (75 CV) @ 2600 rpm	74kW (101 CV) @ 3000 rpm	80kW (109 CV) @ 2600 rpm
TORQUE	300Nm @ 1500 rpm	340Nm @ 1400 rpm	420Nm @ 1100 rpm
TANK	102 l		
TOTAL WEIGHT	10000 kg		
UNLADEN WEIGHT	3000 kg (without body)		
TOWING WEIGHT WITH BRAKES	Up to 10000 kg	Up to 14000 kg	
TOWING WEIGHT WITHOUT BRAKES	1000 kg		
GEARBOX	36 speeds-synchronized gearbox (24fwd/12rev) with synchronized Hi-Low and Inverter		
MAX SPEED (km/h)	40 / 50		
DRIVE	4x4 wheel drive with electro-hydraulic disengagement of front drive Axles with final planetary reduction gears		
DIFFERENTIAL	Front and rear with electro-hydraulic lock		
BRAKING SYSTEM	Dual hydraulic circuit braking system on 4 wheels, with floating jaws and self adjusting brakes, Ø 315 mm, with Servobrake / Option: Magnetic brake retarder		
PARKING BRAKE	Parking spring brake on rear wheels acting with hand lever and hydraulic transmission		
JOINT	Hydraulic steering on the front wheels		
SUSPENSIONS	Suspensions on the four wheels: hydro-pneumatic independent double wishbone suspension, with automatic level adjustment and suspension lock.		
CHASSIS	Central joint		
BODY	Reinforced, with tubular sides, dumping on the three sides with hydraulic control		
CAB	Two-seats dumping cab mounted on oil silent blocks, sound-proofed		
POWER TAKE OFF	Central and/or rear PTO with independent hydraulic clutch and 2-speeds (540-1000 rpm/min)		
OPTIONALS	Approved drawbar hitch; Rear 3-point linkage; Front fixing plate for equipment Hydraulic versions with outlets in front of/rear cab, distributors of 3,4,5 elements through joystick		
TYRES	425/55 R17 - 440/55 R17 - 285/75 R19,5 - 15.5/55 R18 Dual wheels 7.50x18 or 280/70R18 with quick connecting hooks on rear axle Dual wheels 7.50x16 with quick connecting hooks on front axle		

TECHNICAL FEATURES



SERIES CTS (dimensions/cm)								
Model	A	B	C	D	E	F	G	H
CTS wheelbase 2600	128	260	101	489	290	194	234	30
CTS wheelbase 2800	128	280	101	509	316	194	234	30
CTS wheelbase 3000	128	300	101	529	316	194	234	30

LOADING BODY (dimensions /cm)			
Model	wheelbase 2600	wheelbase 2800	wheelbase 3000
CTS	280x190x40	316x190x40	316x190x40