



All-Terrain Tractors and Transporters

The UK's Only All-Terrain Tractor Specialist



When you need an all-terrain tractor that is capable of handling a wide variety of implements, safety on hillsides or really wet (boggy) terrain, with a day-in-day-out reliability factor that can demonstrate versatility in any environment, take a look at the Goldoni **E Series** of equal-wheeled Quad Tractors.

- **Strong**
- **Agile**
- **Versatile**
- **All-Terrain**
- **Economical**
- **Easy to Maintain**
- **Low Centre of Gravity**



A range of isodiametric tractors that incorporates many large tractor features into a compact size. From the E20 to the E60, Goldoni's "Quad" Tractor range provides constant 4-wheel drive, full hydraulics, linkages and PTO's which give these small but powerful tractors the ability to work almost anywhere. The addition of low ground pressure flotation tyres gives increased stability on slopes due to their low centre of gravity, as well as a gentle touch on softer land.



E 20 SN

Ideal for working between narrow rows and in polytunnels



ENGINE

Lombardini 12LD 477/2 air-cooled
2 Cyl: 15kW, 20.4 hp
Tier IIIA
Direct Injection

TRANSMISSION

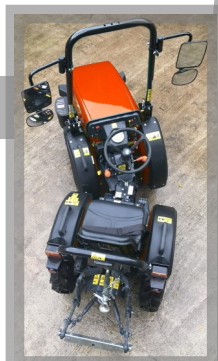
6 forward + 3 reverse gears
Differential on both axles
Constant 4-wheel drive
Central articulation for confined areas

HYDRAULICS

540 / 750 rpm PTO
18.5 ltrs/min pump flow rate
Cat 1 rear linkage
500 kg lift capacity

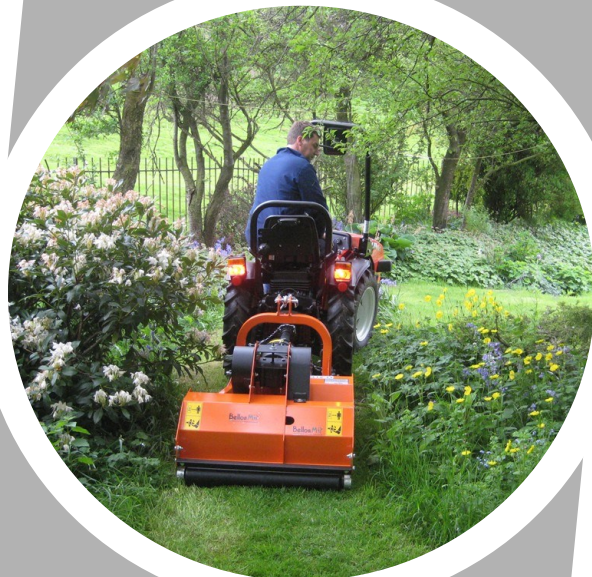
DIMENSIONS

Weight: 750 kg
Length: 2.5m
Width: min. 0.8m,
max. 1.02m



The new E20 SN is built for working in confined areas such as orchards, fruit farms, christmas tree plantations, walled gardens - anywhere that normal access is limited.

At only 80cm wide but with constant 4-wheel drive, articulated steering and oscillating chassis, the E20SN will work in the tightest of spaces.



**World's
narrowest
tractor!**



E 20 SN QUAD

The world's smallest all-terrain quad tractor for all ground conditions



ENGINE

Lombardini 12LD 477/2 air-cooled
2 Cyl: 15kW, 20.4 hp
Tier IIIA
Direct Injection

TRANSMISSION

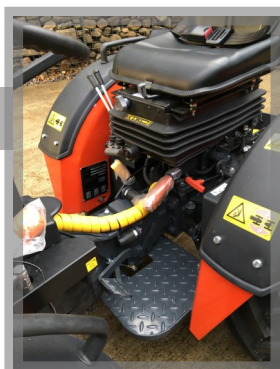
6 forward + 3 reverse gears
Differential on both axles
Constant 4-wheel drive
Central articulation for confined areas

HYDRAULICS

540 / 750 rpm PTO
18.5 ltrs/min pump flow rate
Cat 1 rear linkage with 500 kg lift capacity
Optional double spool valve can be fitted

DIMENSIONS

Weight: 760 kg
Length: 2.5m
Width: 1.2m

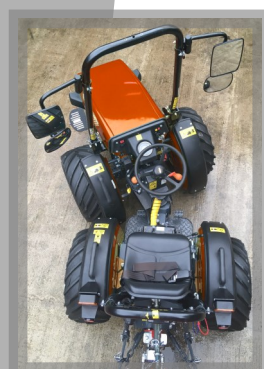


On 26-12x12" low ground pressure flotation tyres, for "go-anywhere" capability, thanks to its front axle which swings 16°, allowing the tractor to "hug" the ground even on the roughest of terrain.

Its low centre of gravity and stability in particularly difficult working conditions gives the E20 Quad all-terrain access all year round.



**The UK's
best-selling
equal-wheeled
tractor!**



E 50 SN / RS

Articulated or front steering



ENGINE

Lombardini LDW 1603 water-cooled
3 Cyl: 28kW, 38 hp
Step 3A

TRANSMISSION

6 forward + 3 reverse gears
Differential on both axles
Constant 4-wheel drive
Central articulation-SN, Front steer-RS

HYDRAULICS

540 / 750 rpm PTO
25 ltrs/min pump flow rate
Cat 1 rear linkage
1200 kg lift capacity

DIMENSIONS

Weight: 1300-1350 kg
Length: 2.6m-3.0m
Width: min. 1.0m on SN model
max. 1.54m on RS model

E 50 SN/RS

On 31-15.50x15" low ground pressure flotation tyres, for "go-anywhere" capability, thanks to its front axle which swings 16°, allowing the tractor to "hug" the ground even on the roughest of terrain.



A
True
All-Rounder!

Its compact size and build allows it to maintain a low centre of gravity, whilst guaranteeing a high level of stability in particularly difficult working conditions and allowing a wide variety of machinery to be used.

**E 50
SN/RS**



- **Power**
- **Simplicity**
- **Efficiency**



E 60 RS

Designed for the people
who drive them



ENGINE

VM D703 E3 water-cooled
3 Cyl: 35.3 Kw, 48 hp
Step 3A
Direct Injection

TRANSMISSION

32 speed, 16 + 16 gears synchronised
with reverse shuttle
Differential on both axles
Constant 4-wheel drive

HYDRAULICS

Independent 540 / 750 rpm PTO
38 ltrs/min pump flow rate
Cat 1/2 rear linkage
1500 kg lift capacity

DIMENSIONS

Weight: 1650 kg
Length: 3.25m
Width: min. 1.106m,
max. 1.404m
280/70x18" std wheels

E 60 RS

On 150-55x17" low ground
pressure tyres for the
ultimate "go-anywhere"
capability, thanks to its
front axle which swings
16°, allowing the tractor
to "hug" the ground
even on the roughest of
terrain.



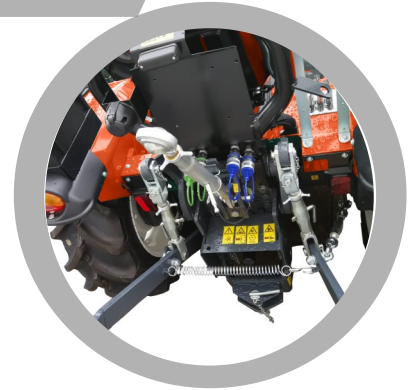
**A small low
centre of gravity
tractor with a
big tractor
attitude!**

The E60RS with standard front steering, its compact size and build allows it to maintain a low centre of gravity, whilst guaranteeing a high level of stability when using heavy machinery, in particularly difficult working conditions.

**E 60
RS**



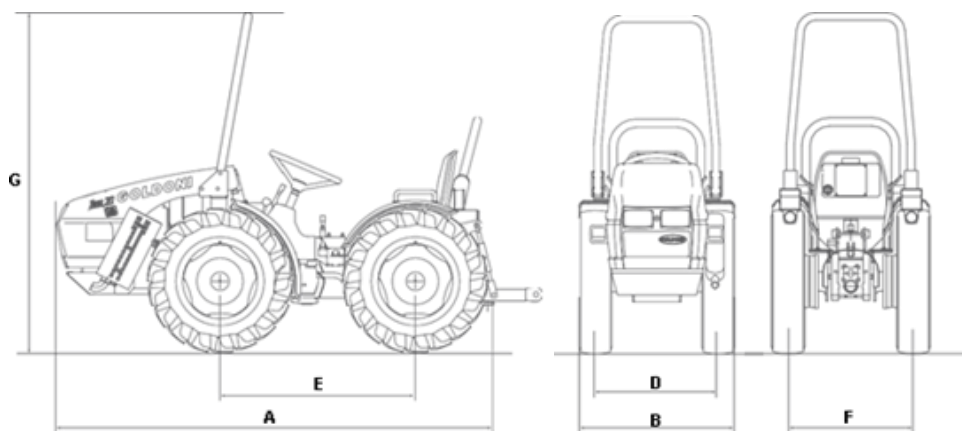
- **Strong**
- **Agile**
- **Compact**



SPECIFICATIONS

	E20 SN	E20 SN+	E20 SN TOP SPEC
Description	In narrow form, at 80cm wide, with single central hydraulic valve	At 110 cm wide, on low ground pressure flotation tyres and with single central hydraulic valve	At 122 cm wide, on low ground pressure flotation tyres, with widened footplate. Single hydraulic valve moved from centre to side and with a double auxiliary valve fitted
Engine Type	Lombardini 12LD 477/2, Step IIIA, 2-cylinder air-cooled, MTR compliant		
Power	15 KW / 20.4 hp, 954 cc		
RPM	3000		
Fuel & Tank Capacity	Diesel, 18 litres		
Transmission	9 speed gearbox: 6 forward + 3 reverse		
PTO	2 speed 540 / 540E		
Steering	Hydraulic, with central articulation & constant 4-wheel drive		
Hydraulic System	Cat 1. Lift capacity 500 kgs on ball ends. Fully adjustable linkage		
Pump Flow Rate	18.5 ltrs / min		
Brakes	Rear drum brakes, braking through 4-wheel drive system		
Clutch	Dry disc clutch		
Differential	On both axles with lock through independent levers		
Weight	750 kgs		
Wheel Spacers to adjust width	None	4 x 6 cm	4 x 12 cm
Wheels & Tyres	6.00x16" standard agri	26-12.0x12 flotation	

Transmission: 6 + 3
Speeds in kph

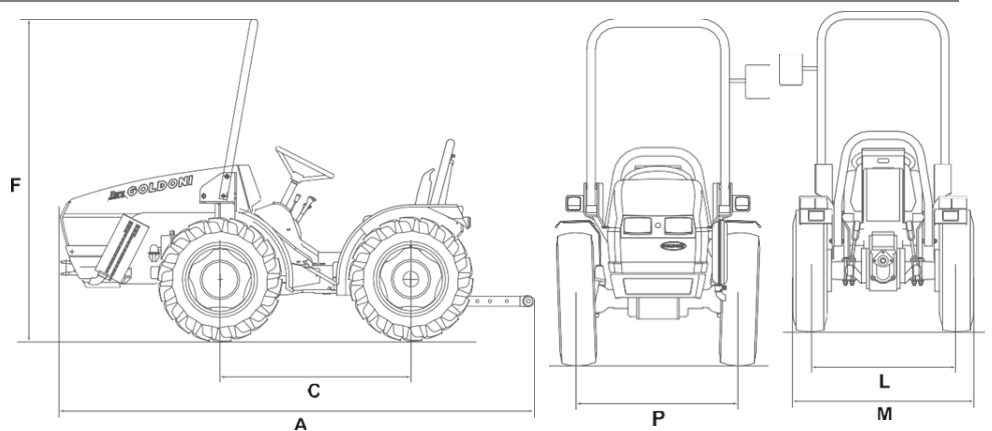
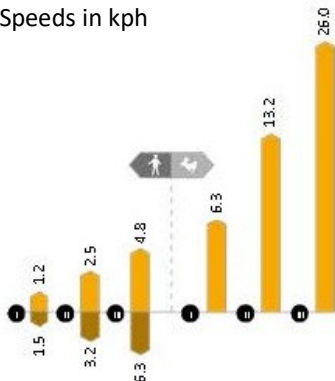


Weights and Dimensions	A	Length	mm	2500
	B	Width: min & max	mm	800 - 1220
	G	Height to safety frame	mm	1750
	E	Wheelbase	mm	1000
	D	Front track: min & max	mm	640 - 1100
	F	Rear track: min & max	mm	640 - 1100

SPECIFICATIONS

	ESO SN (ARTICULATED)
Description	Articulated steer and with good ground clearance on low ground pressure flotation tyres, its width is 136 cm, ideal for confined areas and forestry work. Fitted with double hydraulic auxiliary valve
Engine Type	Lombardini LDW1603 Step IIIA, 3-cylinder water-cooled, MTR compliant
Power	38 hp, 1649 cc
RPM	2800
Fuel & Tank Capacity	Diesel, 30 litres
Transmission	9 speed gearbox: 6 forward + 3 reverse
PTO	540/750 rpm synchronised with gearbox speeds
Steering	Hydraulic, with central articulation & constant 4-wheel drive, steering angle of 30°
Hydraulic System	Cat 1. Fully adjustable linkage
Lift Capacity	1100 kg on ball ends
Pump Flow Rate	25 ltrs / min
Brakes	Rear drum brakes, braking through 4-wheel drive system
Clutch	6" diameter dry clutch
Differential	On both axles, rear diff lock via pedal
Weight	1300 kg
Wheels & Tyres	31-15.50x15 low ground pressure flotation

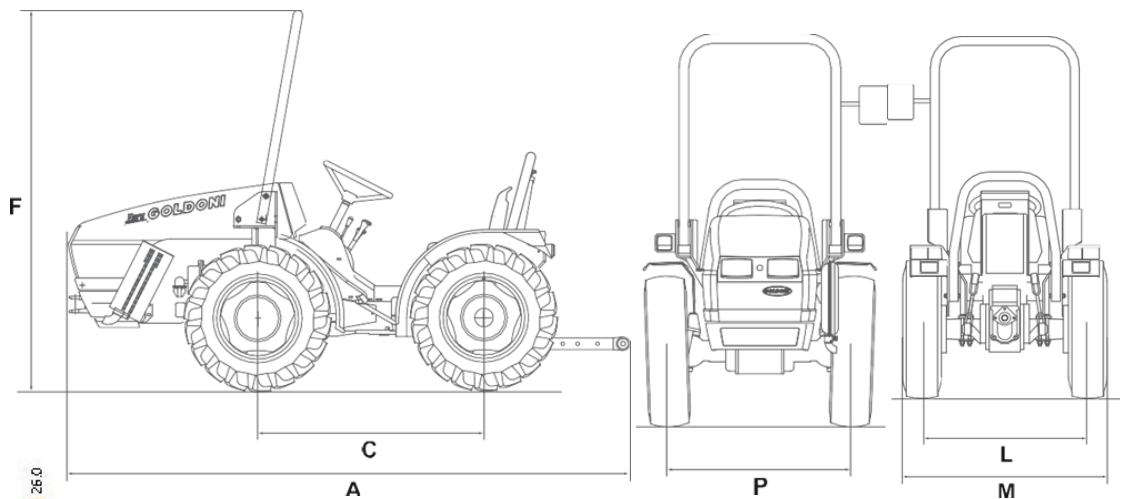
Transmission: 6 + 3
Speeds in kph



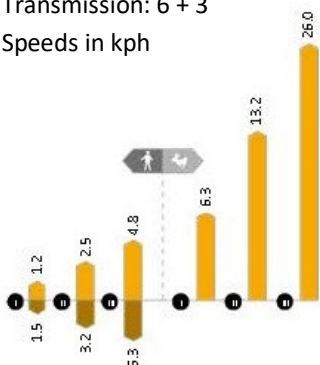
Weights and Dimensions	A	Length	mm	2660
	M	Width: min & max	mm	1000 - 1370
	F	Height to safety frame	mm	2005
	C	Wheelbase	mm	1294
	P	Front track: min & max	mm	742 - 1000
	L	Rear track: min & max	mm	742 - 1000

SPECIFICATIONS

ES0 RS	
Description	With conventional front steering and double hydraulic auxiliary valve fitted
Engine Type	Lombardini LDW1603 Step IIIA, 3-cylinder water-cooled, MTR compliant
Power	38 hp, 1649 cc
RPM	2800
Fuel & Tank Capacity	Diesel, 30 litres
Transmission	9 speed gearbox: 6 forward + 3 reverse
PTO	540/750 rpm synchronised with gearbox speeds
Steering	Hydraulic, with constant 4-wheel drive, steering angle of 45°
Hydraulic System	Cat 1. Fully adjustable linkage
Lift Capacity	1100 kg on ball ends
Pump Flow Rate	25 ltrs / min
Brakes	Rear drum brakes, braking through 4-wheel drive system
Clutch	6" diameter dry clutch
Differential	On both axles with lock through independent levers
Weight	1350 kg
Wheels & Tyres	260/70 R16 agri 31-15.50x15 low ground pressure
Width	135 cm wide on agri wheels 154 cm wide on flotation wheels



Transmission: 6 + 3
Speeds in kph

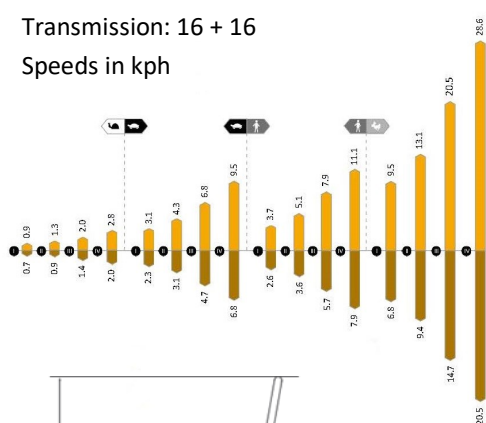


Weights and Dimensions				
A	Length	mm	3005	
B	Width: min & max	mm	1110 - 1431	
G	Height to safety frame	mm	2000	
E	Wheelbase	mm	1155	
D	Front track: min & max	mm	1010 - 1200	
F	Rear track: min & max	mm	1010 - 1200	

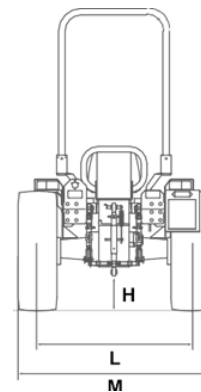
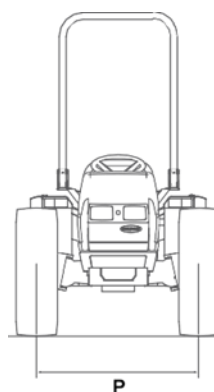
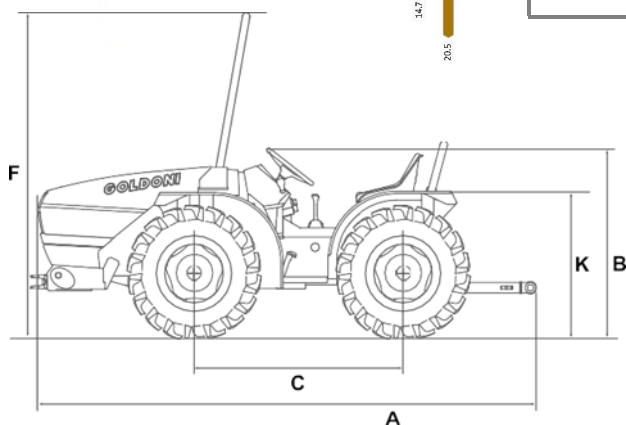
SPECIFICATIONS

	E60 RS
Description	With conventional front steering and 2 banks of double hydraulic auxiliary valves fitted, long arms and Cat 1 / Cat 2 balls for working with standard agricultural machinery
Engine Type	VM D703 E3, Step IIIA, water-cooled direct injection, MTR compliant
Power	35.3 KW / 48 hp, 2082 cc
RPM	2600
Fuel & Tank Capacity	Diesel, 30 litres
Transmission	32 speed, 16 forward + 16 reverse, synchronised with reverse shuttle
PTO	Independent at 540 / 750 rpm, synchronised with gearbox speeds
Steering	Hydraulic, conventional front steer
Rear Lift	Hydraulic, lever controlled, Category 1 3-point hitch Lift capacity 1500 kg on ball ends
Pump Flow Rate	38 ltrs / min
Brakes	Rear oil-cooled multiple-plate type
Clutch	Dry monodisc, 230 mm diameter
Differential	Front: mechanical system with manual locking through lever Rear: mechanical system with manual locking through pedal
Weight	1650 kgs
Wheels & Tyres	280/70x18" standard agri or 150-55x17" low ground pressure flotation

Transmission: 16 + 16
Speeds in kph



Weights and Dimensions		A	Length	mm	3312
		M	Width: min & max	mm	1422 - 1518
F	Height to safety frame	mm	2130 - 2210		
B	Height at steering wheel	mm	1190		
K	Height at seat: min	mm	831		
H	Ground clearance	mm	250		
C	Wheelbase	mm	1372		
P	Front track: min & max	mm	1020 - 1280		
L	Rear track: min & max	mm	1020 - 1280		



Coming Soon ...



E SERIES - UP TO 100 HP



“We at Goldoni believe that time is our friend. When we make a machine, we do so because we are convinced that it must last a long time and always guarantee the safety and reliability for which you chose it.” The best way to lengthen the life of your tractor and reduce down time to the very minimum is to rely on the **Goldoni Routine Maintenance Service.**

Only Goldoni has stocks that ensure the part you need will still be available for up to 40 years after your tractor model is no longer produced. Goldoni provides an ON-LINE ordering system for our workshops and can also make urgent deliveries for speedier repairs.”

As our policy is one of continued improvement and our product range and specifications are under constant review, we reserve the right to change models, prices and specifications without notice. E&OE.

To discuss your requirements in more detail, please do not hesitate to contact us at:

C.T.M.

Conservation Technology & Machinery Ltd

Units 1 & 2 Brocca Bank, Low Row, Richmond, North Yorkshire, DL11 6PF

Tel: 01748 886622

www.goldonitractors.co.uk

Email: sales@ctmltd.co.uk

