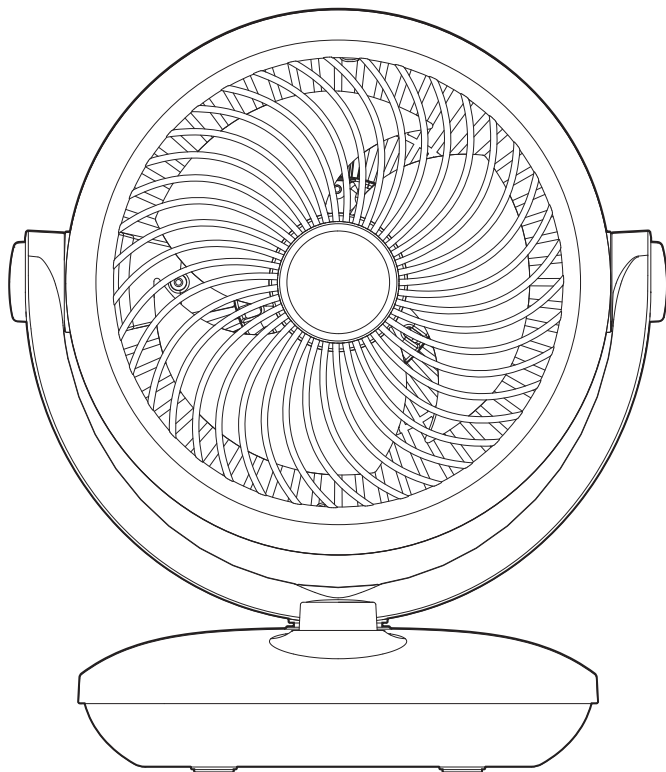


# EF10 Air Circulation Fan User Manual



Please read this booklet thoroughly before operating the fan.

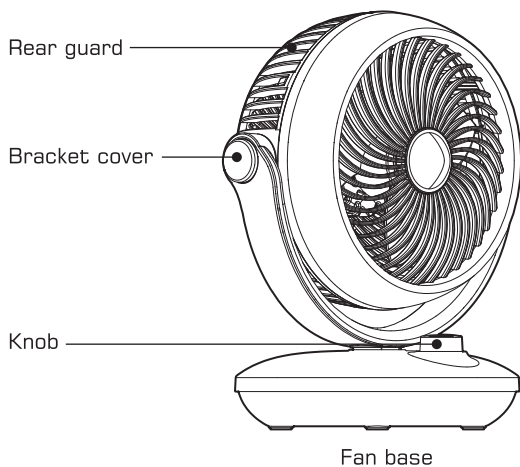
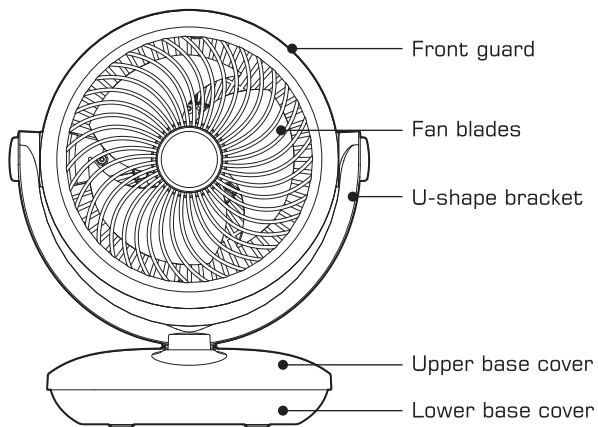
**ELUXGO**

# Product Introduction

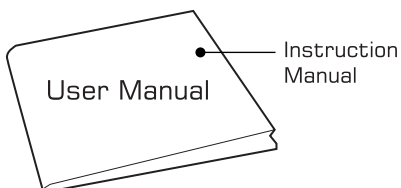
## ⚠ NOTICE ⚠

The pictures in the instruction manual are for reference only. The actual product in the box shall prevail.

## Part Name

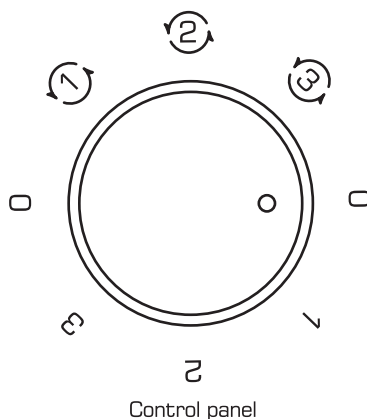


## Accessory

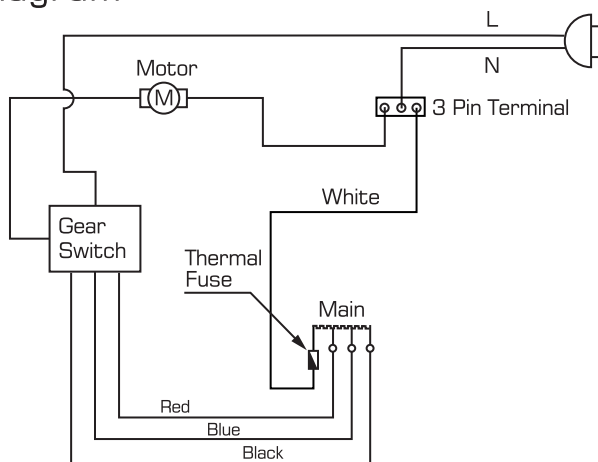


## Usage Method

1. Please make sure the knob switch is in the "0" position before plugging in the power supply.
2. Plug in the power supply, the machine enters the standby state. Rotate the knob clockwise and the fan will circulate in the "0-1-2-3-0-1" wind speed mode. Rotate counter-clockwise and it will circulate in the "0-3-2-1-0-3" wind speed mode.
3. In the upper semi-circle, the fan operates with automatic left & right head oscillation; In the lower semi-circle, the fan head is stationary while in operation.



## Electrical Diagram



## Specifications

Item	Air Circulation Fan
Model	EF10
Voltage	AC220-240V 50/60Hz
Power	26W
N.W.	1.25kg
Size	254 x 203 x 295mm
Fan Blade Diameter	150mm
Executive Standard	GB 17625.1-2012 / GB 4343.1-2018 / GB 4706.1-2005 / GB 4706.27-2008

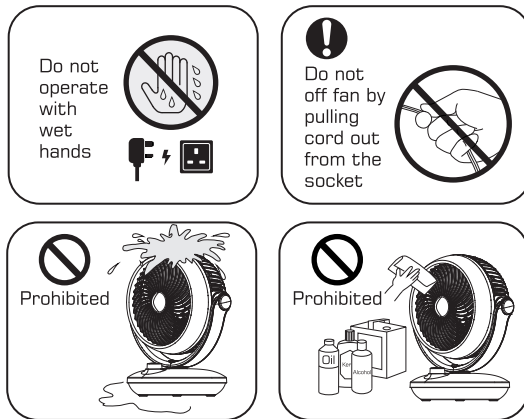
# Cleaning, Maintenance and Storage

## ⚠ WARNING ⚠

- The power supply must be cut off before cleaning this product.
- It is forbidden to rinse the fan body directly with water.
- Do not use any grinding tools and solvents that will damage the surface when cleaning this product. Use detergent to clean it and wipe it with a dry cloth promptly.
- It is forbidden to disassemble the product for modification. It is recommended to inspect and clean the product regularly to prolong its lifespan.

### Cleaning and maintenance

1. Before cleaning and maintaining this product, be sure to unplug the plug and clean it after the electrical unit is completely cooled.
2. Do not use chemical solvents such as toluene, bleach, and hard brush to avoid scratching and corroding the appearance and color of the body. If there are stubborn dust or dirt, it is recommended to use neutral tableware detergent to clean it.
3. When cleaning the body, please wipe it with a soft cloth dipped with neutral detergent, and then wipe the residual detergent off with a dry cloth.



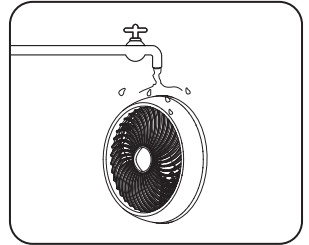
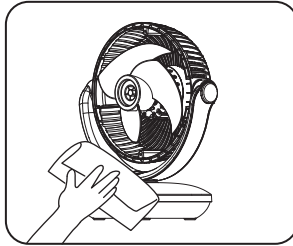
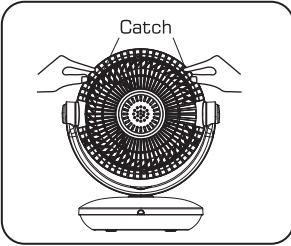
### Maintenance before storage

1. The front and rear guard and fan blades can be assembled according to the reverse order of disassembly. Wipe them with water or neutral detergent using a soft cloth, and then dry them thoroughly with a soft dry cloth.
2. Do not wash the body directly with water to prevent short circuit or poor conductivity of electrical appliances. If it is to be kept for a long time, please wipe it clean, cover it with plastic bag, and store it in a cool and dry place.
3. Before taking it out for use, please check whether the whole unit and power cord are damaged, and clean the dust off the machine body. After inspection, please carry out a test run. If there is no fault, it can be used normally.



## Disassembly & assembly method

1. Turn the fan to the front and remove the fixing screws on the rear guard with a screwdriver; Then press the rear guard buckle by hand to remove the front guard.
2. The fan blade cannot be disassembled. The body & fan blade can be wiped and cleaned with neutral detergent and soft cloth.
3. The front guard can be washed with water and dried.
4. After cleaning, assemble the front guard in the reverse order of disassembly.



## Fault Rectifications

- If the fan cannot work normally after the following rectification, please contact the customer service center or local maintenance point.

Fault Issues	Fault Reasons	Solution
Fan does not operate	The power socket is dead	Change to a live socket
	The power cord is not connected in place	Connect the power cord correctly
Noise during operation	Dirty fan blades	Remove the front guard and clean the fan blade
	Loose fan blades	Tighten the fan blade
	Motor failure	Please send it to the dealer or contact our company for servicing
No head oscillation	Incorrect mode chosen	Please turn to the correct knob position
	Function knob failure	Please send it to the dealer or contact our company for servicing
Fan blade stuck	The fan blade is jammed by foreign matters	Turn off the power supply of the fan and take out the foreign matters

# Safety Precautions

## ⚠ NOTICE ⚠

Please read this manual carefully before use. The company reserves the right to interpret the instructions. The appearance of the actual product shall prevail. In the case of product technology or software upgrades, there will be no prior notice.

### 1. Transporting

- When moving, be sure to stop the fan and unplug the power plug.
- Please hold the fan base or handle (belt) firmly to prevent it toppling and hurting people.

### 2. Power cord

- Before carrying out maintenance work or moving the body, please disconnect the power cord from the AC power socket.
- Do not pinch, bend or twist the AC power cord excessively, otherwise the cord may be exposed or broken.
- Do not use an inappropriate AC outlet.
- Do not use the AC power cord provided by this product on any other device.
- If the power cord is damaged, it must be replaced by professionals from the manufacturer, its maintenance department or a similar department to avoid danger.

### 3. Usage

- Please refer to the voltage and frequency ratings on the specification label before use, and ensure it is appropriate with the supplied voltage.
- Do not insert your fingers or other objects into the front and rear guard during use to avoid causing danger.
- In the case of abnormal sound, peculiar smell, high temperature, irregular rotation of the fan or other abnormalities, please stop using the product immediately.

### 4. Warning (improper use many cause, electric shock, fire, personal injury, and other damages)

- Do not use this product on unstable places where it might be toppled easily.
- Do not use this product in a place where there are unstable objects nearby.
- Do not use this product in a hot and humid environment such as the bathroom.
- Do not use this product when the power cord is damaged or the power cord plug is loose.
- Do not use this product if the front guard of the fan is not installed or the rear cover of the fan is loose or falls off.
- Do not allow children or adults who do not understand this manual to operate this product.
- It is forbidden to replace the power cord without authorization, connect the power cord halfway or use it in parallel with other electrical appliances.
- Do not place the fan body near any water source.
- It is forbidden to disassemble, refit or repair internal components without authorization.
- Do not climb or sit on this machine.
- It is forbidden to store inflammables and explosives around the fan body. Do not place them near any heat source.

- It is forbidden to rinse the fan body directly with water.
- Do not turn off the fan body by unplugging the power plug directly.
- Do not insert your fingers or foreign matters into the fan front guard, fan rear guard, or running fan blades.
- Do not put hair, fabric, etc. near the fan to avoid being drawn in and causing danger.
- Do not spray cleaning liquid or pesticide on the fan to avoid damaging the plastic surface.
- Do not use it outdoors.
- Do not allow children to touch it to avoid accidents.
- The company is not responsible for any injury caused by improper usage.
- When leaving the machine or when it is not in use, turn off the power and unplug the power plug to avoid circuit failure and accidents.


## Composition of Hazardous Substances

Part Name	Hazardous Substances					
	Pb	Hg	Cd	Cr(VI)	PBB	PBDE
Motor	χ	o	o	o	o	o
Switch assembly	χ	o	o	o	o	o
Plastic parts	o	o	o	o	o	o
Power cord	o	o	o	o	o	o
Package	o	o	o	o	o	o
Hardware	o	o	o	o	o	o

This form is prepared in accordance to SJ / T 11364

O: Indicates that the content of the hazardous substance in all homogeneous materials of the component is below the limit specified in GB / T 26572.

X: Indicates that the content of the hazardous substance in at least one homogeneous material of the component exceeds the limit specified in GB / T 26572. However, with the existing technical conditions, it is extremely difficult to make the product parts completely free of the above harmful substances. The design will be gradually improved with the progress of technology.

 The "environmental protection service life" of this product is 10 years, and its logo is shown in the left figure. It can only be used under the normal conditions described in this manual.

## ⚠️ WARRANTY COVERAGE ⚠️

1. The warranty period of the product is tied to the purchase date at the corresponding sales platform. If the warranty shown is inconsistent with the model, name or date of the actual product, the warranty will be void.
2. When the product is used in a commercial setting, the warranty duration shall be reduced by half.
3. The accessories and consumable parts of this product are not covered by warranty (such as remote control, packaging materials, user manual).
4. In case of any of the following circumstances, no free preferential treatment will be given during the warranty period.
  - (1) Failure or damage caused by natural or man-made disasters.
  - (2) Failure or damage caused by the relocation or moving of the unit.
  - (3) External factors causing the failure, such as failure or damage caused by external forces during outdoor activities.
  - (4) Damage or misuse of the goods due to malfunction or misuse.
  - (5) Failure or damage caused by unauthorized modification of goods or maintenance by personnels not affiliated to the company.