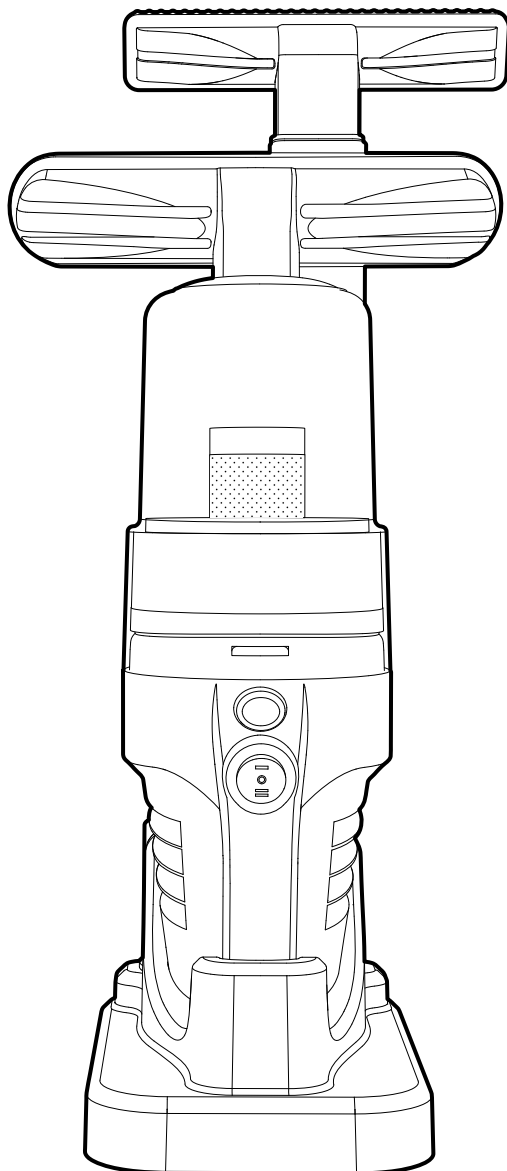


# SVC1019L Bed Vacuum Cleaner

## User manual

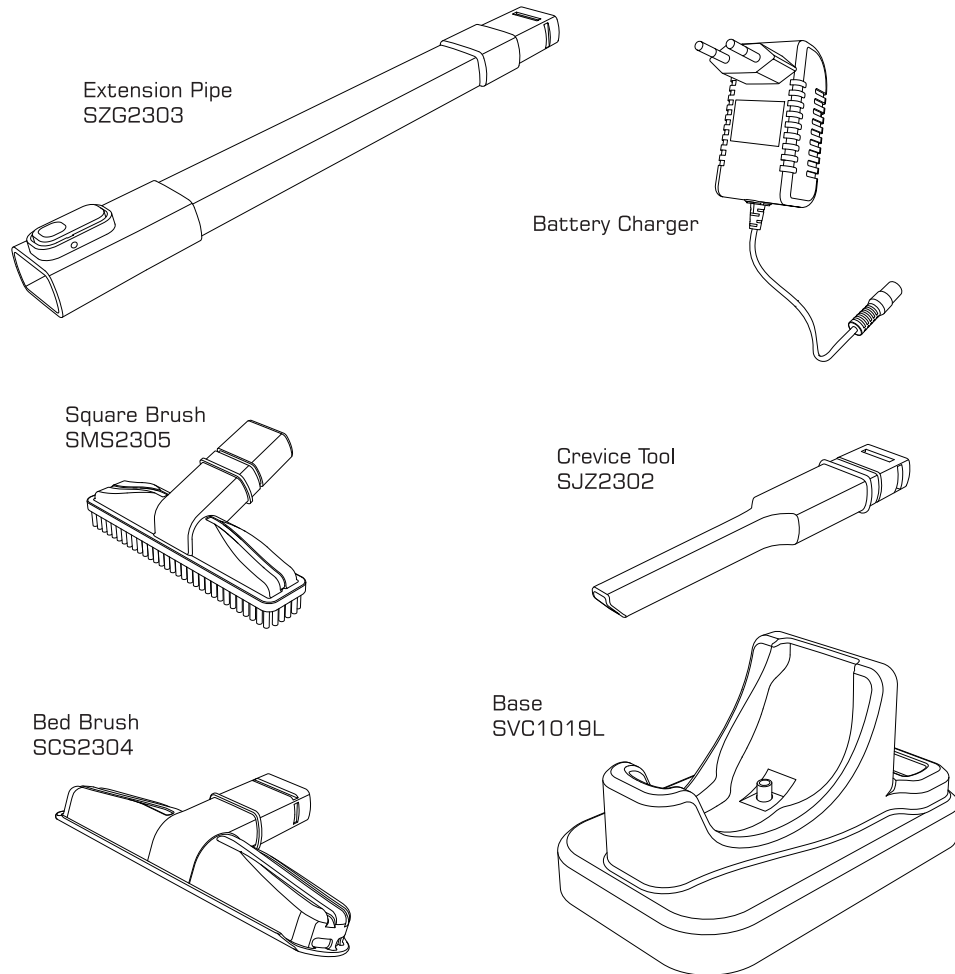


Please read this booklet thoroughly before operating the vacuum.

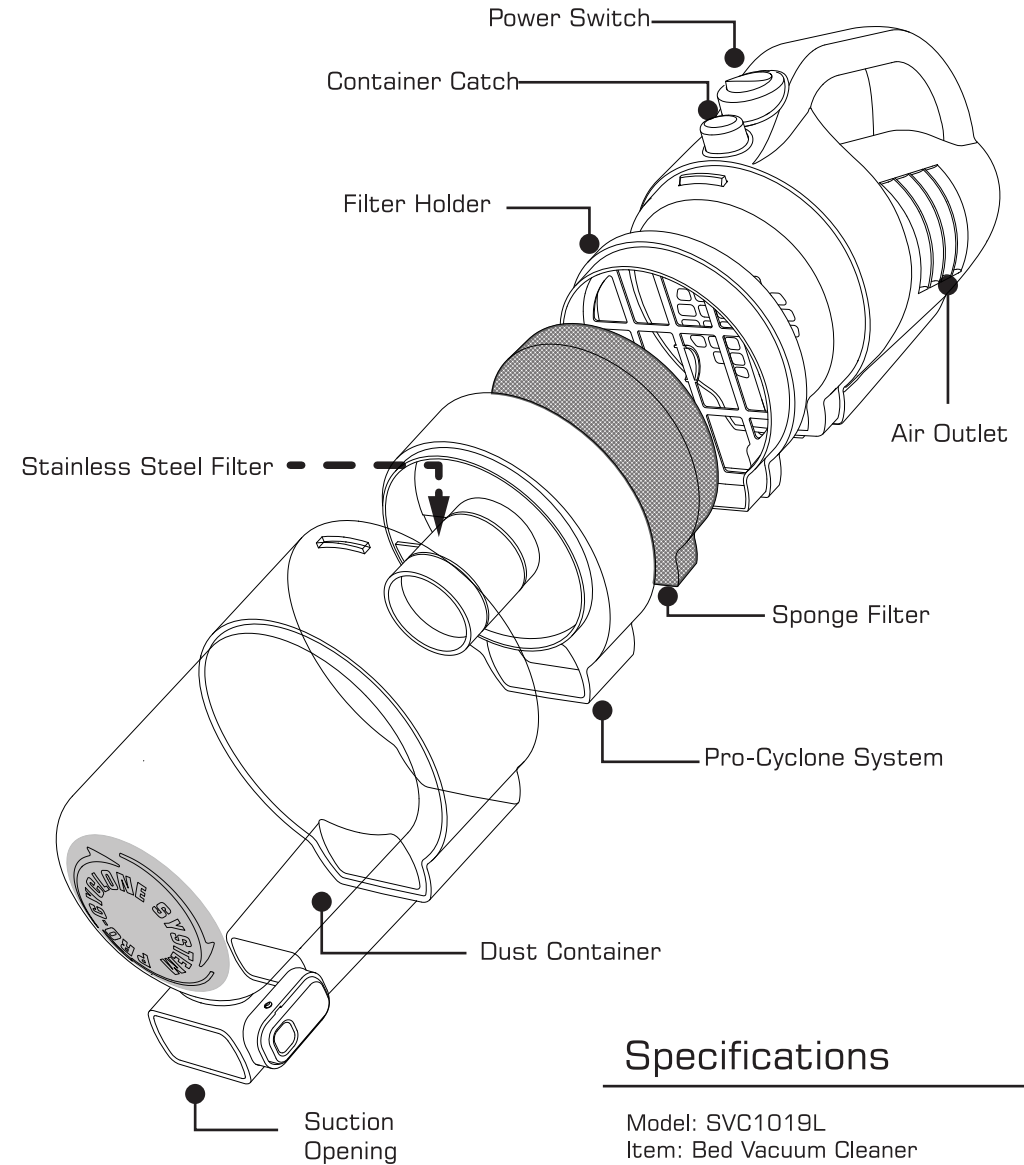
**ELUXGO<sup>®</sup>**

Thank you for purchasing SVC1019L Pro-Cyclone™ System bed vacuum cleaner. This user manual will walk you through the operational instructions, safety precautions and any other important informations that you will need to know before using SVC1019L.

## Accessories



## Product View

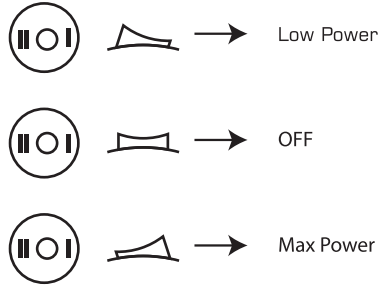


## Specifications

Model: SVC1019L  
Item: Bed Vacuum Cleaner  
Voltage: DC7.4V  
Max Power: 80W  
Max Vacuum Degree: 4.0kPa  
Lithium Ion Battery: 2000mA

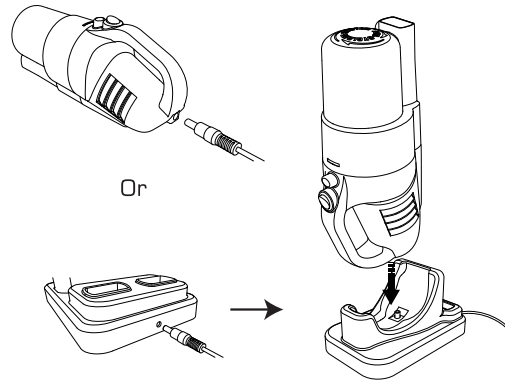
## Basic Operation

Attach the appropriate tools to the appliance, then press (I) for low power, (II) for max power and "O" to off.

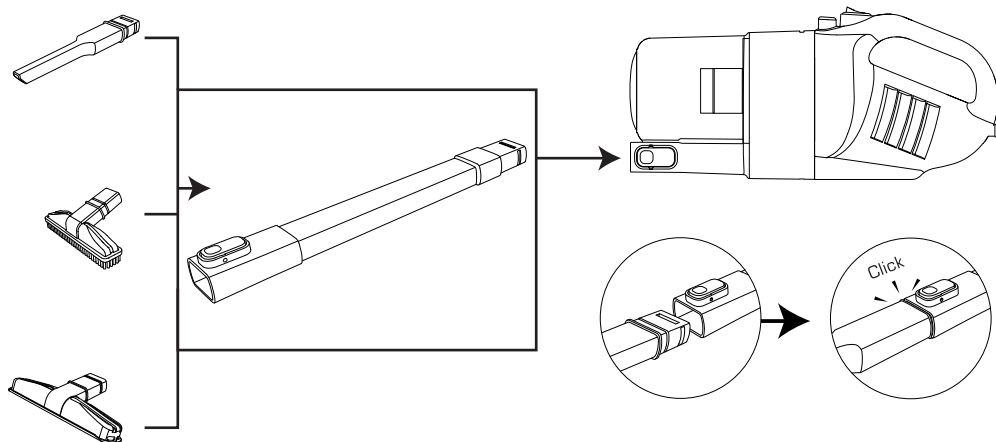


Please make sure the appliance is switched off before changing accessories or clearing dirt.

To charge:  
Plug wire into base and use base as charging pod, or  
Plug wire into machine to charge.

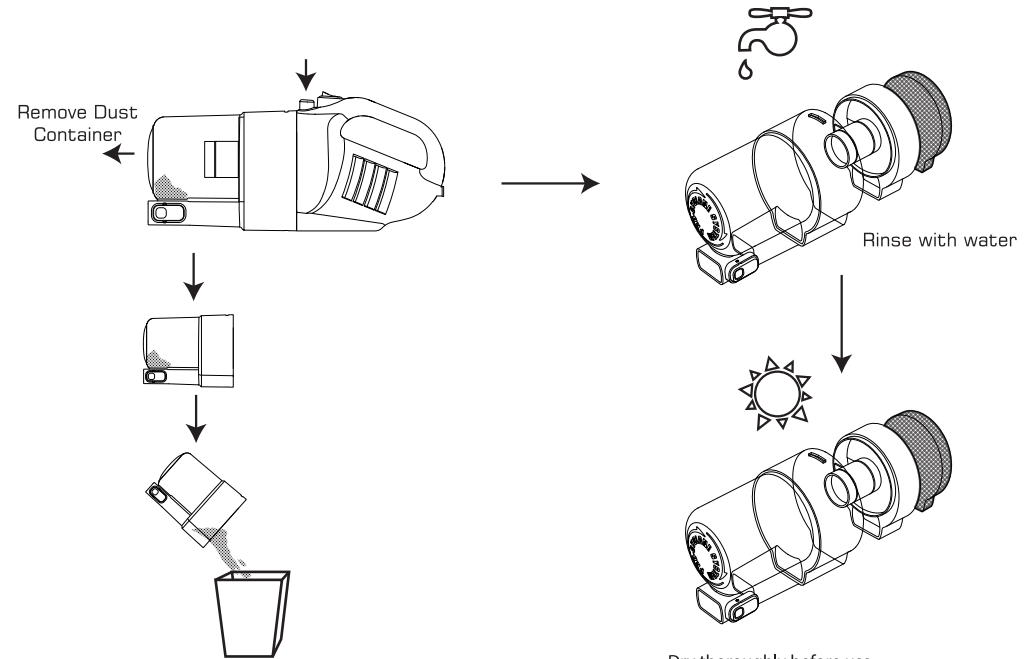


## Cleaning Tools Assembly



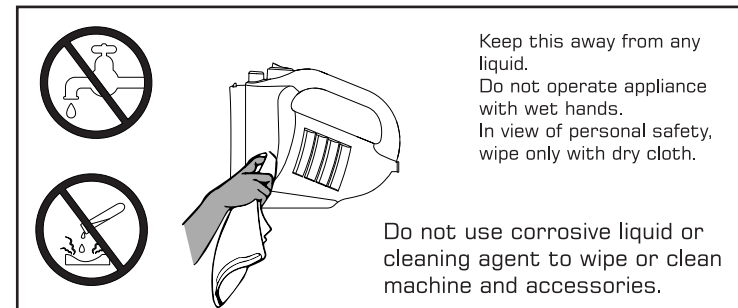
## Cleaning Up

Please make sure the appliance is switched off and unplugged before cleaning up.



Dry thoroughly before use.  
(Odour may occur if used with damped filter)

Cleaning tools can be wiped and cleaned by wet cloth but no immersing in water as it may cause damage. Cleaning tools must be completely dry before putting into operation.



# **WARNING**

**IMPORTANT: READ CAREFULLY BEFORE ASSEMBLY AND USE. THE PRODUCT IS INTENDED FOR HOUSEHOLD USE ONLY. IF USED COMMERCIALY WARRANTY IS VOID.**

## **IMPORTANT SAFETY INSTRUCTIONS**

When using an electrical appliance, basic precautions should always be followed, including the following:

**READ ALL INSTRUCTIONS BEFORE USING THIS APPLIANCE.**

## **WARNING: TO REDUCE THE RISK OF FIRE, ELECTRIC SHOCK OR INJURY:**

- Fully assemble before operating.
- Operate cleaner only at electrical data specified on data plate on the back of cleaner.
- Do not use on wet surfaces. Do not expose to rain. Store indoors.
- This appliance is not intended for use by persons (including children) who is physically, sensory or mentally challenged, or lack of experience and knowledge, unless they have been given supervision or instruction concerning use of the appliance by a person responsible for their safety.
- This appliance is not designed for children. Do not allow to be used as a toy. Close supervision is necessary when used near children. To avoid injury or damage, keep children away from product, and do not allow children to place fingers or other objects into any openings.
- Use only as described in this manual. Use only manufacturer's recommended attachments and products.
- Do not use with damaged cord or plug. If appliance is not working as it should, has been dropped, damaged, left outdoors, or dropped into water, take it to a service center prior using.
- Repairs to electrical appliances should only be performed by a qualified electrician. Improper repairs may place the user at serious risk.
- Do not pull or carry by cord, use cord as a handle, close a door on cord, or pull cord around sharp edges or corners. Keep cord away from heated surfaces.
- Do not unplug by pulling on cord. To unplug, grasp the plug, not the cord.
- Do not leave appliance when plugged in. Unplug from outlet when not in use and before cleaning or servicing.
- Do not handle plug or appliance with wet hands.
- Do not put any objects into openings. Do not use with any openings blocked; keep free of dust, Lint, hair, and anything that may reduce air flow.
- Keep hair, loose clothing, fingers and all parts of body away from openings and moving parts.
- Turn off all controls before unplugging.
- Use extra care when cleaning on stairs.
- Do not use to pick up flammable or combustible liquids, such as gasoline, or fine wood dust or use in areas where they may be present.
- Do not pick up anything that is burning or smoking, such as cigarettes, matches, or hot ashes.
- Do not use without filters and/or dust canister in place.
- The dust filter must be cleaned periodically.
- If the supplied cord is damaged, it must be replaced by the manufacturer, its service agent or similarly qualified persons in order to avoid a hazard.
- The cord could be electrically live.
- Do not use to suck up water and any other liquid.
- Do not immerse in water when cleaning.
- The cord should be checked regularly and must not be used if damaged.
- Do not use outdoors.

**WASH HANDS AFTER USING**

# **CAUTION: TO REDUCE THE RISK OF DAMAGE:**

- Avoid picking up hard, sharp objects with this product, as they may cause damage.
- Store appropriately indoors in a dry place. Do not expose machine to freezing temperatures.
- Put the product away after use to prevent tripping accidents.
- When cleaning the car, vehicle should be located in a garage.

**SAVE THESE INSTRUCTIONS**

## **Notice**

**When there is a decrease in suction, loss of suction or absent of suction, switch off the machine and proceed as follows:**

1. Empty dust container.
2. Check suction opening, dust canister inlet and filter. Clear any obstructions.
3. Wash the sponge filter.

**If there is no obvious improvement after following the above steps, your cleaner needs servicing.**