



CAJUN BANDIT

22.5" WSM FOLDING SIDE TABLE

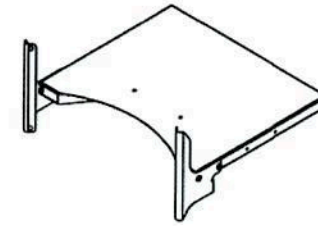
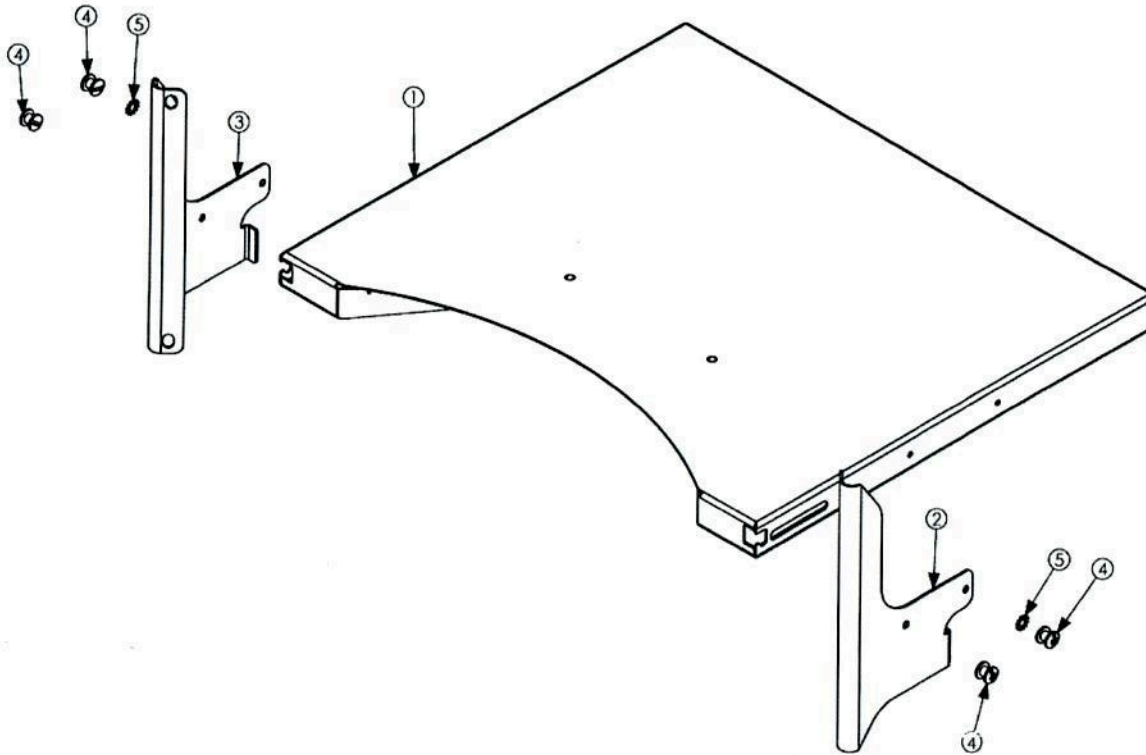
INSTALLATION GUIDE

First start by removing the water pan and cooking grates, then with a flat screwdriver and 7/16" wrench carefully remove one of the lower rack support screws on the side you want to mount the shelf taking care to identify the left and right bracket (2 or 3), this is important, place the correct bracket on the cylinder and replace the screw through the bracket, cylinder and rack support, loosely tighten then do the same with the top screw, repeat for other side, do not tighten the bolts completely leave them loose. Next place a small dab of thread locker on one of the threads of a captive bolt (4) and place it in one of the holes closest to the cylinder of the shelf mounting bracket, repeat for the other side, then using the thread lock put a dab on another captive bolt and put it through the slot on the shelf, be sure to orient the left and right side of the shelf to the mounting brackets, then put the bolt through the hole farthest from the cylinder on the corresponding bracket, this is where a second hand will be very helpful, then repeat on the opposite side, now you can tighten the rack support bolts with the screwdriver and 7/16" wrench. To operate the table simply lift it to the horizontal position and push inward to lock it in place, to lower, slightly lift and pull out to lower it to the side.

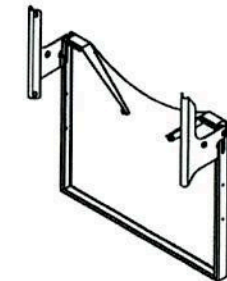
THANK YOU FOR YOUR PURCHASE, ENJOY!



REV	BY	TCR	DATE	REVISION	40017
ITEM NO.	Default/QTY.	PART NUMBER	DESCRIPTION		
1	1	20036	FOOD TRAY		
2	1	20051	FRONT TRAY MOUNT WSM		
3	1	20052	REAR TRAY MOUNT WSM		
4	4	10034	10-24 X 1/4 SS SEX BOLT		



UP POSITION



DOWN POSITION

PROPRIETARY AND CONFIDENTIAL

THE INFORMATION CONTAINED IN THIS DRAWING IS THE SOLE PROPERTY OF C & C Grillin Co. ANY REPRODUCTION IN PART OR AS A WHOLE WITHOUT THE WRITTEN PERMISSION OF C & C Grillin Co. IS PROHIBITED.