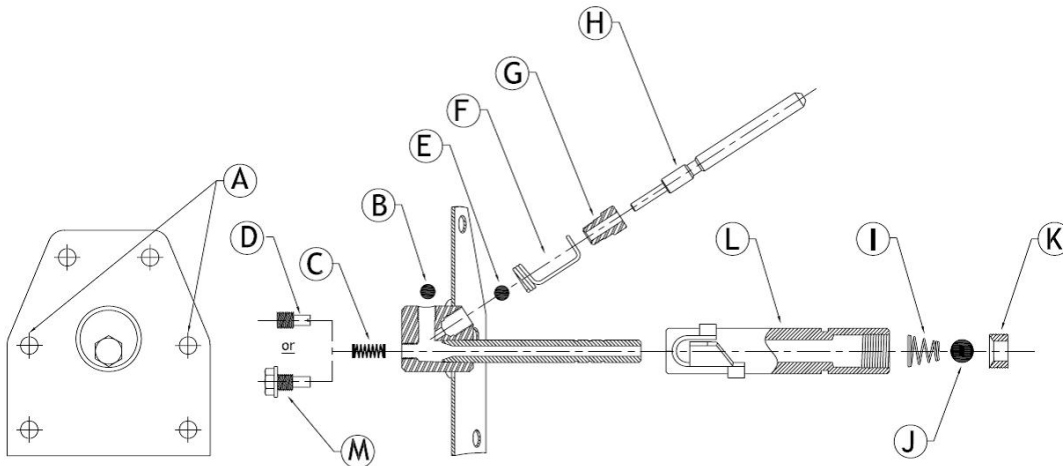




SERVICING INSTRUCTIONS AND PRIMING GUIDE

G.GUN HIGH PRESSURE FOOT OPERATED GREASE GUN

SERVICING AND CLEANING INSTRUCTIONS



1. Remove grease from canister, steam clean or wash thoroughly with a non-flammable solvent.

2. Remove delivery hose, then two bolts in holes **A**. Weave a piece of 8-gauge hooked wire through holes **A**, and disconnect

the treadle springs. Unclip spring retainer **F** and remove activation rod **H**.

3. Remove the remaining mounting bolts and pull out the pump rod/mounting plate assembly.
4. Remove the pump body **L** which will now be lying loose on the base.
5. Wash thoroughly with non-flammable solvent, removing any foreign objects under valve balls **B**, **E** and **J** then blow clean with compressed air.
6. Oil the inlet and delivery valves and pump rod. Work the pump by hand prior to assembly to ensure the unit pumps air. Ensure that bolts in holes **A** are fitted from the inside of the canister with nuts fitted on the outside of the canister.
7. If contaminants are located deep in the pump body, lightly "flame" the area of the inlet valve **K** with a blow torch to break down the Loctite. Tap a large screwdriver into **K** and then unscrew. Unscrew **D** with a 4mm allen key or **M** with a 13mm box wrench (depending on model). Unscrew **G** with 11mm box wrench.

LockNLube

1.603.795.2298 • 343 Dorchester Rd, Lyme, NH 03768 USA

www.LockNLube.com

8. Repeat operation 5. Drop steel ball **B** through delivery port and in insert spring **C**. Use Loctite 2701 (or equivalent hydraulic sealer) on **D** and then screw in until it contacts ball **B**, then unscrew two and a half turns or screw down component **M** with brass washer to form a tight seal.
9. Insert ball **E** and screw in valve seat **G** ensuring to fit spring retainer **F**. Tighten **G** but allowing spring retainer **F** to freely rotate.
10. Insert a new spring **I** and ball **J**. Loctite a new valve seat **K** and screw flush with the end of the pump, ensure chamfered valve seat is on the ball side.
11. Allow loctite to cure and then repeat operation 6.
12. With the delivery hose removed, repeat priming instructions as shown in the priming guide above.

PRIMING AND OPERATION

1. Drop 4-6 lbs of the correct grade grease into the grease canister. Tamp unit on a firm surface to encourage the grease to displace air pockets trapped in the cavities in the base of the canister.



of

Tamp on Firm Surface.

2. Pump unit until delivery commences. Delivery can take 3-5 minutes pumping before delivery reaches the coupler when primed for the first time.
3. If the grease gun does not prime, it is due to an air-lock between the hose and the pump, solve this by removing the hose from the delivery side of the pump and pump until delivery commences.
4. Fill as required, your grease gun is now primed. This operation does not need to be repeated for subsequent fillings.
5. Depress the foot treadle to generate pressure and raise the foot treadle beyond its spring return point to activate the pressure return valve and return the residual pressure back into the grease canister.

PRECAUTIONS

- Wear protective clothing and keep work area clean by removing any excess grease from tools, hands and clothing after use.
- Injection hazard, spray from high pressure leaks can penetrate your skin, what may look like a cut is a very serious injury. Get immediate medical attention.
- Inspect high pressure delivery lines daily, replace as necessary.

LockNLube

1.603.795.2298 • 343 Dorchester Rd, Lyme, NH 03768 USA

www.LockNLube.com