

bion

Bion, iLight Wheelchair, L120

Item code: 02585



Affordable & Reliable

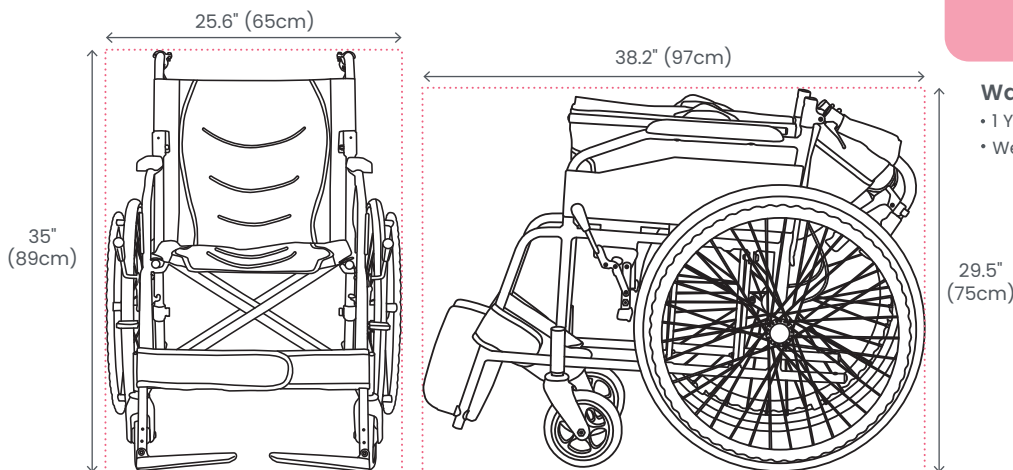
The Bion iLight Wheelchair L120 is a cost-effective solution that combines sturdiness with the essential function of providing necessary mobility assistance.



Specifications:

| | |
|-----------------------------|--------------------------------------|
| Seat Width | 17.3" / 44cm |
| Seat Depth | 16.5" / 42cm |
| Seat Height | 18.5" / 47cm |
| Backrest Height (From Seat) | 16.5" / 42cm |
| Distance between Armrest | 16.9" / 43cm |
| Overall Width (Open) | 25.6" / 65cm |
| Overall Height | 35" / 89cm |
| Overall Length (Open) | 39" / 99cm |
| Net Weight | 14.5kg |
| Weight Capacity | 100kg |
| Front Wheel Size | 6" |
| Rear Wheel Size | 22" X 1 1/8" PU Tyres, Spokes Rim |
| Frame Material | Epoxy Coated Steel |
| Armrests | Full-Length, PU, Fixed |
| Footrests | Composite Footplate, Fixed |
| Foldable Backrest | ✓ |
| Removable Backrest Cover | X |
| Removable Seat Cover | X |
| User Brakes | ✓ |
| Attendant Brakes | ✓ |
| Safety Belt | ✓ |
| Anti-Tipper | Optional |

Dimensions:



Warranty Coverage

- 1 Year off-site warranty on manufacturing defects
- Wear & tear parts are not covered under warranty

