

bion

Bion, iLight Wheelchair, L120

Item code: 02585

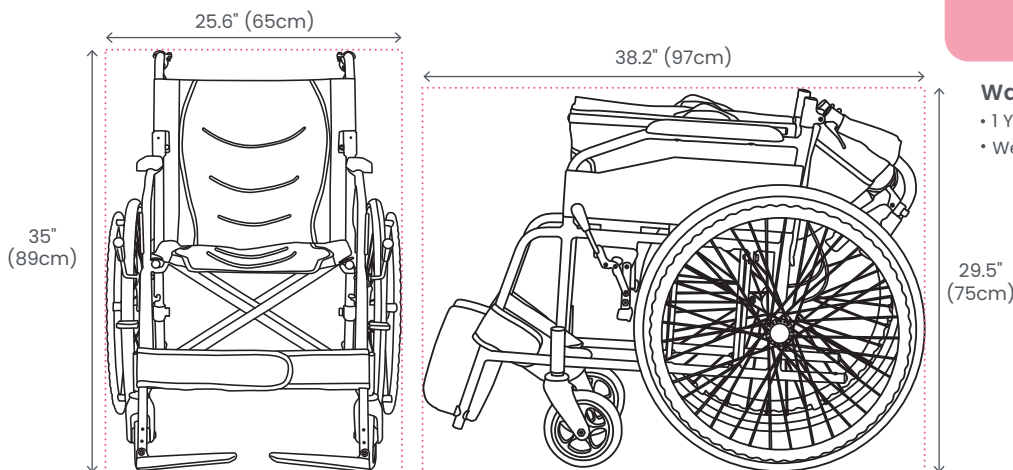


Affordable & Reliable

The Bion iLight Wheelchair L120 is a cost-effective solution that combines sturdiness with the essential function of providing necessary mobility assistance.



Dimensions:



Specifications:

Seat Width	17.3" / 44cm
Seat Depth	16.5" / 42cm
Seat Height	18.5" / 47cm
Backrest Height (From Seat)	16.5" / 42cm
Distance between Armrest	16.9" / 43cm
Overall Width (Open)	25.6" / 65cm
Overall Height	35" / 89cm
Overall Length (Open)	39" / 99cm
Net Weight	14.5kg
Weight Capacity	100kg
Front Wheel Size	6"
Rear Wheel Size	22" X 1 1/8" Solid Tyres, Spokes Rim
Frame Material	Epoxy Coated Steel
Armrests	Full-Length, PU, Fixed
Footrests	Composite Footplate, Fixed
Foldable Backrest	✓
Removable Backrest Cover	X
Removable Seat Cover	X
User Brakes	✓
Attendant Brakes	✓
Safety Belt	✓
Anti-Tipper	Optional

Warranty Coverage

- 1 Year off-site warranty on manufacturing defects
- Wear & tear parts are not covered under warranty

