

# bion

## Bion, iLight Pushchair, L110

Item code: 02556



### iLight Just Got Lighter!

The new iLight Pushchair, L110 is the next generation of Bion iLight Pushchair EZ.

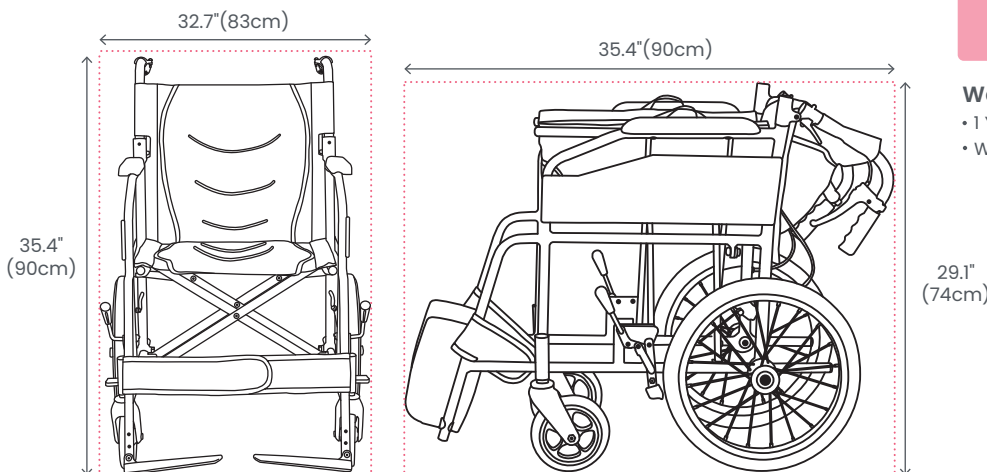
A new model that successfully combines functionality and aesthetics while also being lighter and more maneuverable.



### Specifications:

Seat Width	17.3" / 44cm
Seat Depth	16.9" / 43cm
Seat Height	18.9" / 48cm
Backrest Height (From Seat)	15.7" / 40cm
Distance between Armrest	17.5" / 44.5cm
Overall Width (Open)	32.7" / 83cm
Overall Height	35.4" / 90cm
Overall Length (Open)	37.8" / 96cm
Net Weight	10.3kg
Weight Capacity	100kg
Front Wheel Size	6" PVC
Rear Wheel Size	16" X 1.75" PU Tyres, Spokes Rim
Frame Material	Aluminium
Armrests	Half-Length, PU, Fixed
Footrests	Composite Footplate, Fixed
Foldable Backrest	✓
Removable Backrest Cover	X
Removable Seat Cover	X
User Brakes	✓
Attendant Brakes	✓
Safety Belt	✓
Anti-Tipper	X

### Dimensions:



### Warranty Coverage

- 1 Year off-site warranty on manufacturing defects
- Wear & tear parts are not covered under warranty

