



# Bion iLight Wheelchair Elevating FA (Flip-up Armrests)

Item code: 02497



## Elevating Leg Rests

Bion iLight Wheelchair Elevating is one of our Elevating Series. The most defining feature is its elevating leg rests, suitable for patients with leg and knee injuries, and are required to keep their leg elevated.

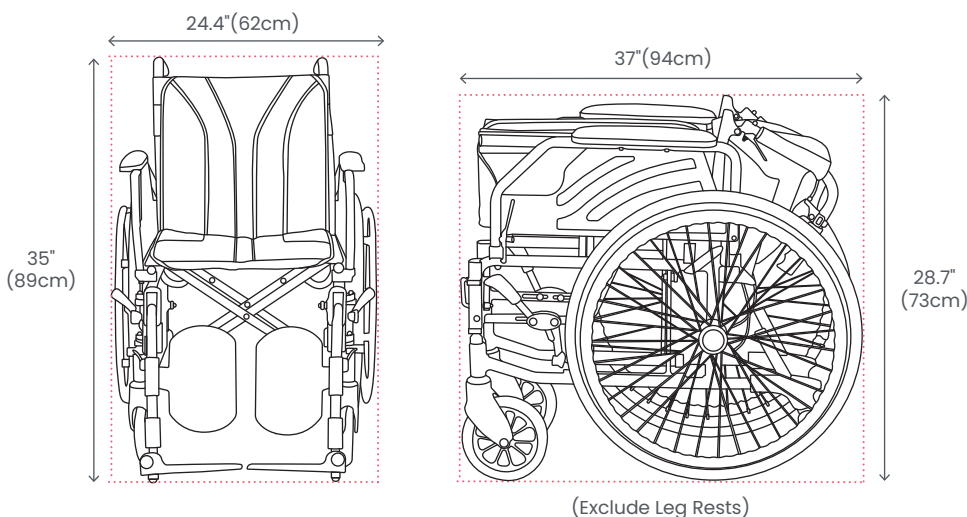
The cushion helps in prolonged usage of the wheelchair and when not in use, the unit can be easily stored away.



## Specifications:

|                             |   |
|-----------------------------|---|
| Seat Width                  | 17.3" / 44cm                            |
| Seat Depth                  | 16.9" / 43cm                            |
| Seat Height                 | 19.7" / 50cm                            |
| Backrest Height (From Seat) | 16.5" / 42cm                            |
| Distance between Armrest    | 17.7" / 45cm                            |
| Overall Width (Open)        | 24.4" / 62cm                            |
| Overall Height              | 35" / 89cm                              |
| Overall Length (Open)       | 44.9" / 114cm                           |
| *Legrest Elevated           | 46.9" / 119cm                           |
| Net Weight                  | 16.5kg                                  |
| Weight Capacity             | 100kg                                   |
| Front Wheel Size            | 7"                                      |
| Rear Wheel Size             | 22" X 1 3/8"<br>Solid Tyres, Spokes Rim |
| Frame Material              | Aluminium                               |
| Armrests                    | Half-Length, PU,<br>Flip-Up             |
| Footrests                   | Composite Footplate,<br>Detachable      |
| Foldable Backrest           | ✓                                       |
| Removable Backrest Cover    | ✓                                       |
| Removable Seat Cover        | ✓                                       |
| User Brakes                 | ✓                                       |
| Attendant Brakes            | ✓                                       |
| Safety Belt                 | ✓                                       |
| Anti-Tipper                 | ✓                                       |

## Dimensions:



## Warranty Coverage

- 1 Year off-site warranty on manufacturing defects
- Wear & tear parts are not covered under warranty