

bion

Bion Comfy Wheelchair 2G

Item code: 02436



Comfortable & Compact

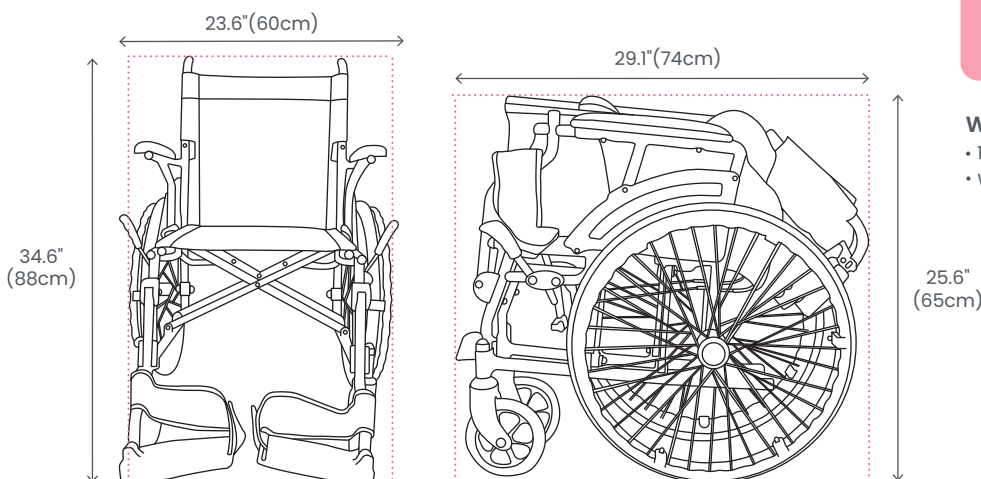
Bion Comfy Wheelchair 2G is part of our Economy Series. With a foldable footrest and backrest, the unit can be further compacted into a more portable form. In addition to its compact design, this unit features durable canvas upholstery seat covers, making wiping and cleaning easier.



Specifications:

Seat Width	15.7" / 40cm
Seat Depth	15.6" / 39.5cm
Seat Height	17.5" / 44.5cm
Backrest Height (From Seat)	16.5" / 42cm
Distance between Armrest	17.7" / 45cm
Overall Width (Open)	23.6" / 60cm
Overall Height	34.6" / 88cm
Overall Length (Open)	38.6" / 98cm
Net Weight	10.9kg
Weight Capacity	100kg
Front Wheel Size	6"
Rear Wheel Size	20" X 1 3/8" Solid Tyres, Spokes Rim
Frame Material	Aluminium
Armrests	Half-Length, Padded, Fixed
Footrests	Composite Footplate, Flip-Up
Foldable Backrest	✓
Removable Backrest Cover	X
Removable Seat Cover	X
User Brakes	✓
Attendant Brakes	✓
Safety Belt	✓
Anti-Tipper	Optional

Dimensions:



Warranty Coverage

- 1 Year off-site warranty on manufacturing defects
- Wear & tear parts are not covered under warranty