

bion

Bion iLight Wheelchair

Item code: 02317



Lightweight & Compact

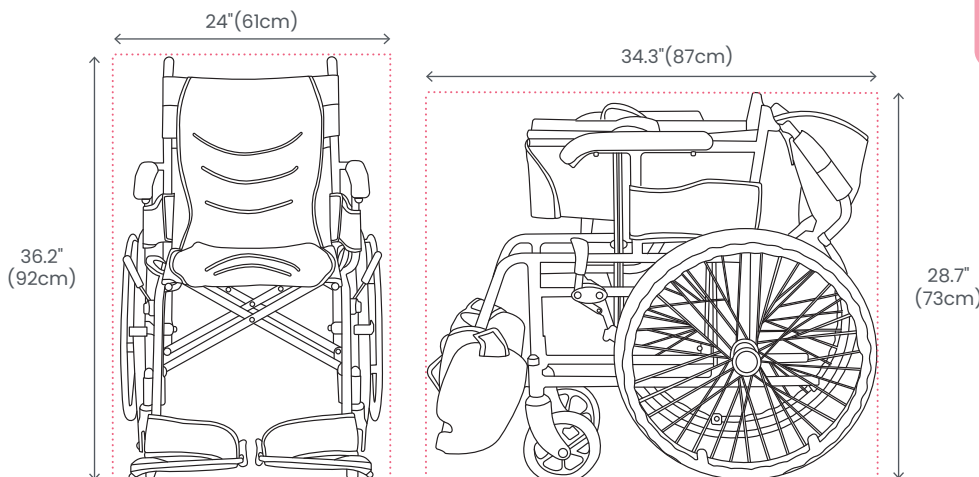
Bion iLight Wheelchair is part of our general purpose iLight Series. Layered with cushion seats and backrest, and ankle straps, the pushchair has ample comfort for prolonged usage. The model can be easily folded and stored when not in use.



Specifications:

Seat Width	15.7" / 40cm
Seat Depth	16.1" / 41cm
Seat Height	18.9" / 48cm
Backrest Height (From Seat)	16.5" / 42cm
Distance between Armrest	17.7" / 45cm
Overall Width (Open)	24" / 61cm
Overall Height	36.2" / 92cm
Overall Length (Open)	39.4" / 100cm
Net Weight	12.0kg
Weight Capacity	100kg
Front Wheel Size	6"
Rear Wheel Size	20" X 1 3/8" Solid Tyres, Spokes Rim
Frame Material	Aluminium
Armrests	Half-Length, PU, Fixed
Footrests	Composite Footplate, Fixed
Foldable Backrest	✓
Removable Backrest Cover	✓
Removable Seat Cover	✓
User Brakes	✓
Attendant Brakes	✓
Safety Belt	✓
Anti-Tipper	X

Dimensions:



Warranty Coverage

- 1 Year off-site warranty on manufacturing defects
- Wear & tear parts are not covered under warranty