



Bion iLight Detachable Pushchair 18"

Item code: 01224



Lightweight, Full-Featured

Bion iLight Detachable Pushchair is part of our Full-Featured Series; designed for patients. Flip-up armrests and removable legrests allow easy patient transfer from bed to wheelchair.

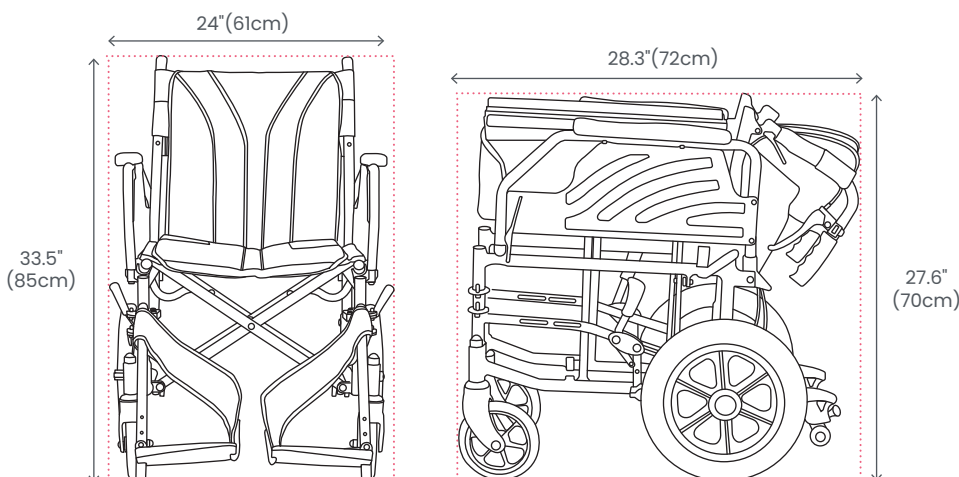
Removable cushions are easy to change and machine wash. Anti-tippers prevent the pushchair to tip backward when travelling up-slope.



Specifications:

Seat Width	18.1" / 46cm
Seat Depth	16.9" / 43cm
Seat Height	18.1" / 46cm
Backrest Height (From Seat)	16.5" / 42cm
Distance between Armrest	18.5" / 47cm
Overall Width (Open)	24" / 61cm
Overall Height	33.5" / 85cm
Overall Length (Open)	40.6" / 103cm
Net Weight	13kg
Weight Capacity	100kg
Front Wheel Size	6"
Rear Wheel Size	12" Solid Tyres, Mag Rim
Frame Material	Aluminium
Armrests	Half-Length, PU, Flip-Up
Footrests	Composite Footplate, Detachable
Foldable Backrest	✓
Removable Backrest Cover	✓
Removable Seat Cover	✓
User Brakes	✓
Attendant Brakes	✓
Safety Belt	✓
Anti-Tipper	✓

Dimensions:



Warranty Coverage

- 1 Year off-site warranty on manufacturing defects
- Wear & tear parts are not covered under warranty