

bion

Bion iLight Detachable Wheelchair 18"

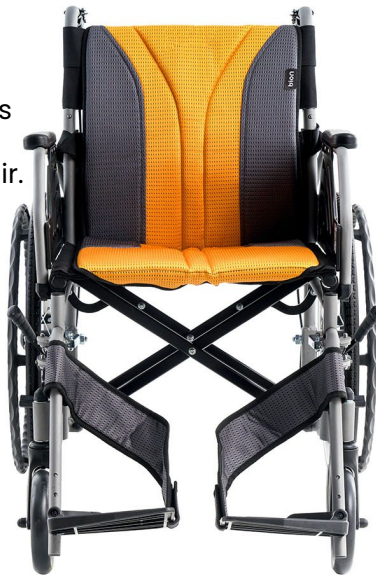
Item code: 00789



Lightweight, Full-Featured

Bion iLight Detachable Wheelchair is part of our Full-Featured Series; designed for patients. Flip-up armrests and removable leg rests allow easy patient transfer from bed to wheelchair.

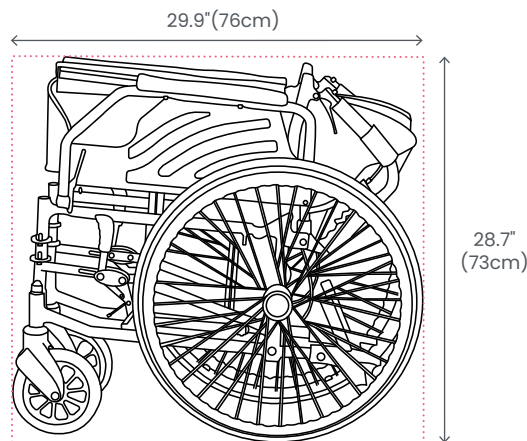
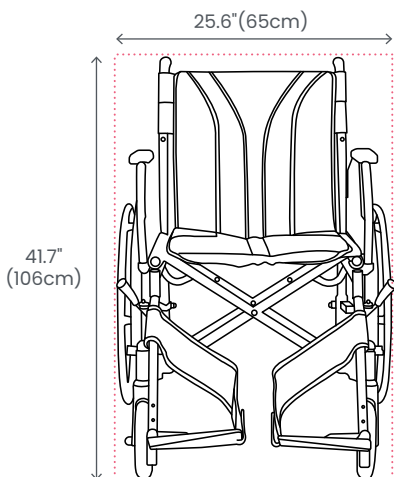
Removable cushions are easy to change and machine wash. Anti-tippers prevent the wheelchair to tip backward when travelling up-slope.



Specifications:

Seat Width	18.1" / 46cm
Seat Depth	16.9" / 43cm
Seat Height	19.3" / 49cm
Backrest Height (From Seat)	16.1" / 41cm
Distance between Armrest	18.5" / 47cm
Overall Width (Open)	25.6" / 65cm
Overall Height	35" / 89cm
Overall Length (Open)	41.7" / 106cm
Net Weight	15.4kg
Weight Capacity	100kg
Front Wheel Size	7"
Rear Wheel Size	22" X 1 1/8" Solid Tyres, Spokes Rim
Frame Material	Aluminium
Armrests	Half-Length, PU, Fixed
Footrests	Composite Footplate, Detachable
Foldable Backrest	✓
Removable Backrest Cover	✓
Removable Seat Cover	✓
User Brakes	✓
Attendant Brakes	✓
Safety Belt	✓
Anti-Tipper	✓

Dimensions:



Warranty Coverage

- 1 Year off-site warranty on manufacturing defects
- Wear & tear parts are not covered under warranty