

bion

Bion iLight Detachable Wheelchair 18" with Tension Back (Quick Release Ver.)

Item code: 00789-T



Greater Flexibility

Bion iLight Wheelchair Detachable Quick Release Ver. is part of our Full-Featured Series; designed for patients and frequent travellers. Flip-up armrests and removable leg rests allow easy patient transfer from bed to wheelchair.

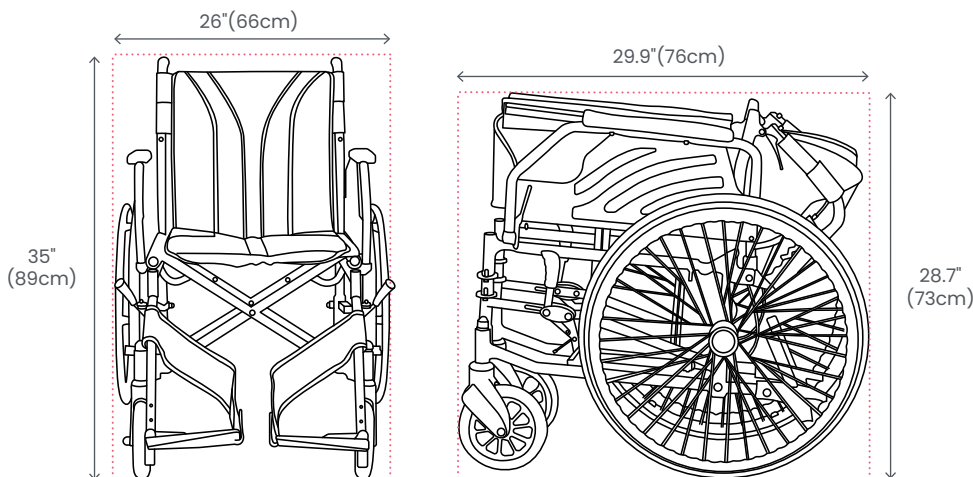
Removable cushion are easy to change and machine wash. Anti-tippers prevent the pushchair to tip backward when travelling up-slope. The quick-release wheels make it easy for wheels to be detached for easy transportation.



Specifications:

Seat Width	18.1" / 46cm
Seat Depth	16.9" / 43cm
Seat Height	19.3" / 49cm
Backrest Height (From Seat)	16.1" / 41cm
Distance between Armrest	18.5" / 47cm
Overall Width (Open)	26" / 66cm
Overall Height	35" / 89cm
Overall Length (Open)	40.9" / 104cm
Net Weight	15.3kg
Weight Capacity	100kg
Front Wheel Size	7"
Rear Wheel Size	22" X 1 1/8" Solid Tyres, Spokes Rim
Frame Material	Aluminium
Armrests	Half-Length, PU, Fixed
Footrests	Composite Footplate, Detachable
Foldable Backrest	✓
Removable Backrest Cover	✓
Removable Seat Cover	✓
User Brakes	✓
Attendant Brakes	✓
Safety Belt	✓
Anti-Tipper	✓
Tension Backrest	✓
Quick Release Wheels	✓

Dimensions:



Warranty Coverage

- 1 Year off-site warranty on manufacturing defects
- Wear & tear parts are not covered under warranty