



BBUX: MSRP Price List

71410-##

Features

- Exclusive World Wide Patented Pop Down® Closure
- Elegant Profile: Stopper Sits Flush in Open Position
- Use for Sinks WITH or WITHOUT Overflow. See Page 2
- Solid Brass Construction
- 1-1/4" Connection for Most All 1-1/4 or 1-1/2" Sink Openings
- Fits Virtually ANY Sink Hole's Thickness (height)
 - Fits Up to 1-3/4" Basin Thickness without extension
 - Stackable extension available (see PN 29356) to suit virtually any basin thickness †

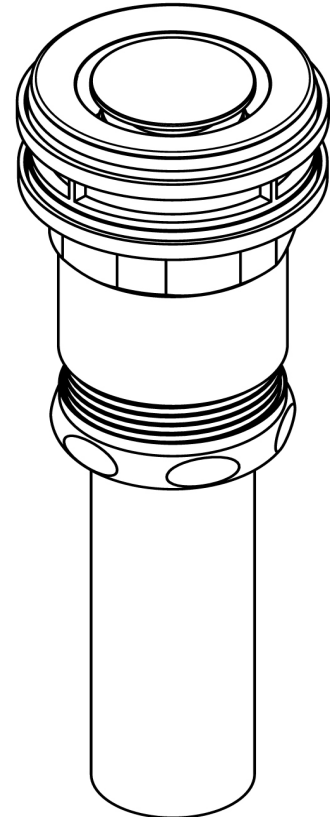
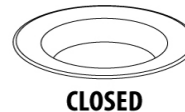
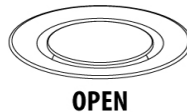
Drawings not to scale (formerly 71310)

Compliance



- ASME A112.18.2-2011 / CSA B125.2-11
- Uniform Plumbing Code UPC®
- National Plumbing Code of Canada

Operation

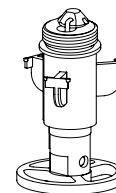


Finishes / Colors "71410-##"

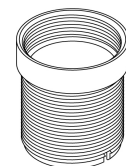
- -PC, Polished Chrome, Standard Finish
- -AB, Antique Brass, Artisan Finish
- -BN, Brusehd Nickel, Natural Finish (retired-SN)
- -BTB, Dark Bronze, Artisan Finish
- -GRP, Graphite, Satin Enduro® PVD
- -LSG, Satin Gold Enduro® PVD
- -MBLK, Matte Black, Artisan Finish
- -MOB, Mocha Bronze Satin Enduro® PVD
- -ORB, Oil Rubbed Bronze, Natural Finish
- -PVD, Polished Brass Enduro® PVD Finish
- -PN, Polished Nickel PVD Finish
- -SB, Satin Brass Enduro® PVD
- -SBZ, Champagne Bronze Enduro® PVD
- -SS, Satin Nickel Enduro® PVD

71410-##	add finish code -## or -##-FULL	*Standard Finish -##	**Fully Finished -##-FULL
● Standard Finish -PC		\$119.50	PC is always "Fully Finished"
● Enduro® PVD -PN, -PVD		\$169.50	\$219.50
● Enduro® PVD, Satin & Matte -GRP, LSG, -MOB, -SB, -SBZ, -SS		\$194.50	\$259.50
● Natural -BN, -ORB		\$164.50	\$215.50
● Artisan -AB, BTB, MBLK		\$164.50	\$215.50
● Unfinished Brass -UB, for custom finishing by others		\$134.50	\$144.50
*Part number 71410 has replaced 71310			
† 29356			
● Extension			\$29.00
92041			
● Pop Down® Mechanism (ONLY) + o-ring seal			\$19.00

- * Standard Finish
Top visible portion is finished
Top Stopper & Flange in your finish choice
Lower Body, Tail Piece Nut, Tail Piece will be Polished Chrome -PC
- ** Fully Finished: Stopper, Flange, Lower Body
Tail Piece Nut, Tail Piece



Pop Down® Mechanism
10 Year Warranty on Mechanism



† EXTENSION 29356 adds about 1-1/4" per extension
Multiple extensions OK, Stack to suit depth

U.S. Patent 9151027