



BOUNTYBRASSWARE
Designer Bathroom Fittings



The Pop Down® Sink Drain

WWW.BOUNTYBRASSWARE.US

BBUX: Assembly & Dimensions

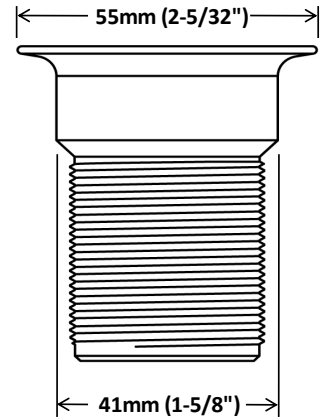
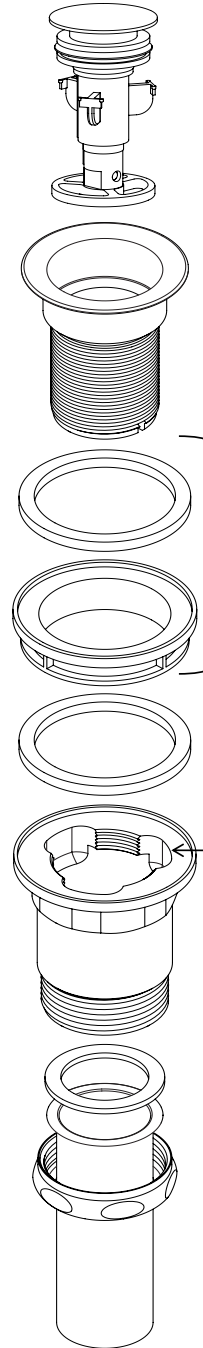
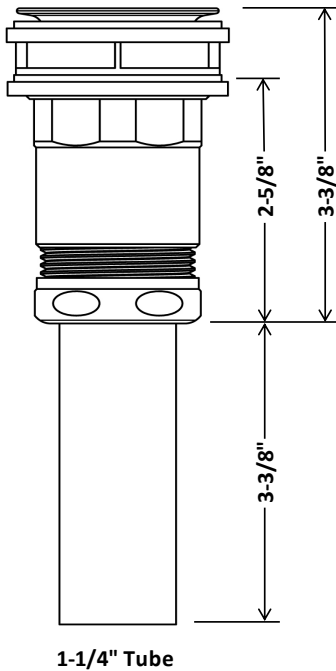
71410-##

Nominal dimensions, shown to nearest 1/16"

Drawings not to scale

PLEASE NOTE:

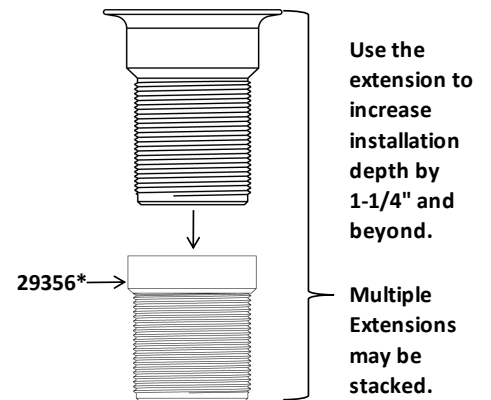
The Pop Down® installs on sinks WITH or WITHOUT overflow
One drain will suit EITHER application
See overflow ports in exploded view for clarification*



Only install these two for thin-sink applications
(e.g. metal sinks or sink thickness $\leq 1/2"$)

***Over-flow Ports (3)**

Our Pop Down® Drain fits sinks
WITH or WITHOUT over-flow capability



*Extension 29356 Sold Separately

U.S. Patent 9151027

REVISED: 12-Jul-23

©2016 BOUNTY BRASSWARE AMERICAS, LLC



BBUX: Specifications

71410-##, Standard Finish

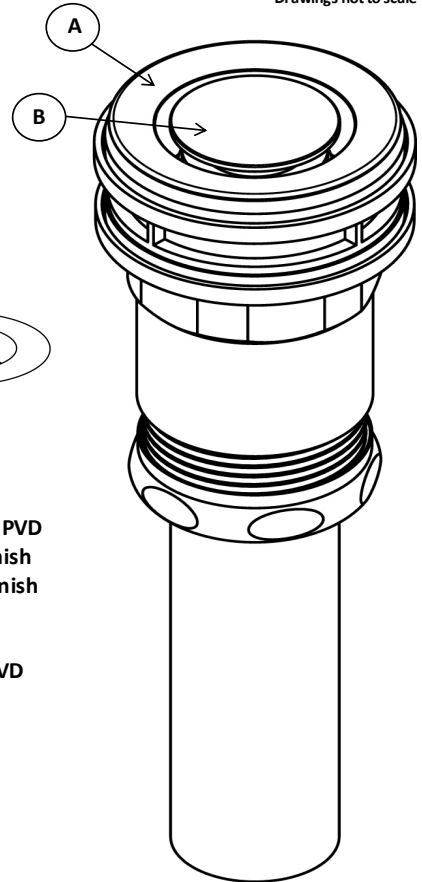
Features

- Exclusive World Wide Patented Pop Down® Closure
- Elegant Profile: Stopper Sits Flush in Open Position
- Use for Sinks WITH or WITHOUT Overflow. See Page 2
- Solid Brass Construction
- 1-1/4" Connection for Most All 1-1/4 or 1-1/2" Sink Openings
- Fits Virtually ANY Sink Hole's Thickness (height)
 - Fits Up to 1-3/4" Basin Thickness
 - † ○ Stackable extension available (see PN 29356) to suit virtually any basin thickness

This Model is Best Used When "Below the Sink" is NOT Exposed

Drawings not to scale

This model is finished on the exposed top-surfaces only, Flange and Stopper, shown at A & B

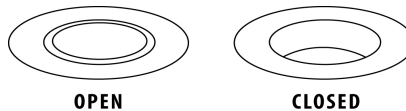


Compliance



- ASME A112.18.2-2011 / CSA B125.2-11
- Uniform Plumbing Code UPC®
- National Plumbing Code of Canada

Operation



Finishes / Colors "71410-##"

- -PC, Polished Chrome, Standard Finish
- -AB, Antique Brass, Artisan Finish
- -BN, Brusehd Nickel, Natural Finish (retired-SN)
- -BTB, Dark Bronze, Artisan Finish
- -GRP, Graphite, Satin Enduro® PVD
- -LSG, Satin Gold Enduro® PVD
- -MBLK, Matte Black, Atrtisan Finish
- -MOB, Mocha Bronze Satin Enduro® PVD
- -ORB, Oil Rubbed Bronze, Natural Finish
- -PVD, Polished Brass Enduro® PVD Finish
- -PN, Polished Nickel PVD Finish
- -SB, Satin Brass Enduro® PVD
- -SBZ, Champagne Bronze Enduro® PVD
- -SS, Satin Nickel Enduro® PVD

Product Specification	Add Finish/Color Suffix "-##" to Below Model Number
The sink drain shall be made of solid brass and ancillary durable material construction. The drain shall be furnished with 1-1/4" OD connection. The Drain shall have a Pop Down® stopper. The drain shall be Bounty Brassware® Pop Down® 71310-____	

Special Installation Considerations

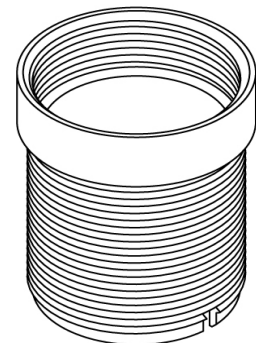
29356

† Extension

- Use this extension when sink thickness exceeds 1-3/4" thick (this extension is rarely required)
- Extensions may be "stacked" to achieve desired working height
- Each extension adds about 1-1/4" depth to the effective installation height
- See Installation Instructions

Drawings not to scale

Additional Product Specification
The Pop Down® Drain (71410-##) shall be furnished with solid brass extension(s) for sink thicknesses exceeding the standard 1-3/4" maximum. One extension shall be furnished for each additional 1-1/4" of sink thickness required above and beyond the standard 1-3/4" maximum thickness. The extension shall be 29356.





BBUX: Specifications

71410-##-FULL, Fully Finished

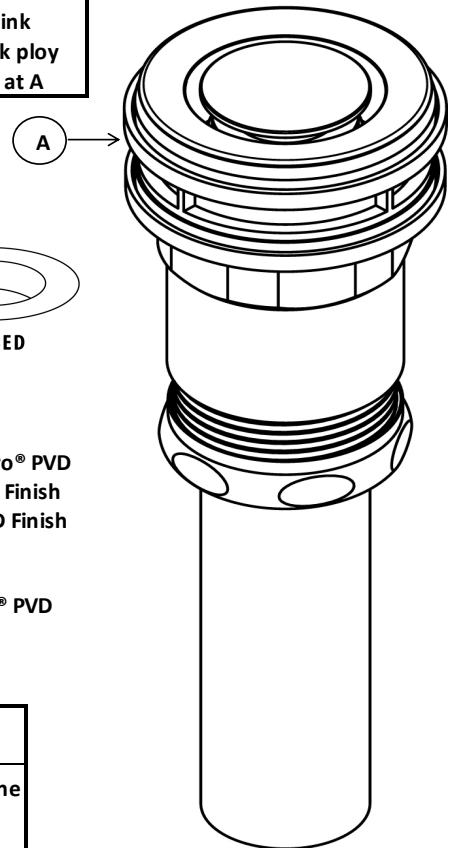
This Model is Best Used When "Below the Sink" in an Exposed Installation

Drawings not to scale

Features

- Exclusive World Wide Patented Pop Down® Closure
- Elegant Profile: Stopper Sits Flush in Open Position
- Use for Sinks WITH or WITHOUT Overflow. See Page 2
- Solid Brass Construction
- 1-1/4" Connection for Most All 1-1/4 or 1-1/2" Sink Openings
- Fits Virtually ANY Sink Hole's Thickness (height)
 - Fits Up to 1-3/4" Basin Thickness
- † ○ Stackable extension available (see 29356) to suit virtually any basin thickness

This model is finished on all exposed surfaces except thin-sink application black ploy spacer shown at A

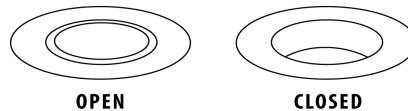


Compliance



- ASME A112.18.2-2011 / CSA B125.2-11
- Uniform Plumbing Code UPC®
- National Plumbing Code of Canada

Operation



Finishes / Colors "71310-##-FULL"

- -PC, Polished Chrome, Standard Finish
- -AB, Antique Brass, Artisan Finish
- -BN, Brusehd Nickel, Natural Finish (retired-SN)
- -BTB, Dark Bronze, Artisan Finish
- -GRP, Graphite, Satin Enduro® PVD
- -LSG, Satin Gold Enduro® PVD
- -MBLK, Matte Black, Atrtisan Finish
- -MOB, Mocha Bronze Satin Enduro® PVD
- -ORB, Oil Rubbed Bronze, Natural Finish
- -PVD, Polished Brass Enduro® PVD Finish
- -PN, Polished Nickel PVD Finish
- -SB, Satin Brass Enduro® PVD
- -SBZ, Champagne Bronze Enduro® PVD
- -SS, Satin Nickel Enduro® PVD

Product Specification	Add Finish/Color Suffix "-##-FULL" to Below Model Number
The sink drain shall be made of solid brass and ancillary durable material construction. The drain shall be furnished with 1-1/4" OD connection. The Drain shall have a Pop Down® stopper. The drain shall be Bounty Brassware® Pop Down® 71410-____-FULL	

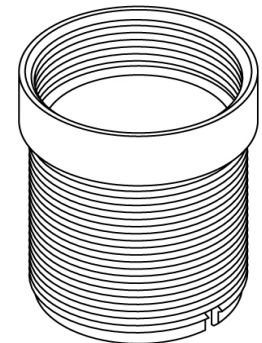
Special Installation Considerations

29356

† Extension

Drawings not to scale

- Use this extension when sink thickness exceeds 1-3/4" thick (this extension is rarely required)
- Extensions may be "stacked" to achieve desired working height
- Each extension adds about 1-1/4" depth to the effective installation height
- See Installation Instructions



Additional Product Specification
The Pop Down® Drain (71410-##) shall be furnished with solid brass extension(s) for sink thicknesses exceeding standard 1-3/4" maximum. One extension shall be furnished for each additional 1-1/4" of sink thickness required above and beyond the standard 1-3/4" maximum thickness. The extension shall be 29356.