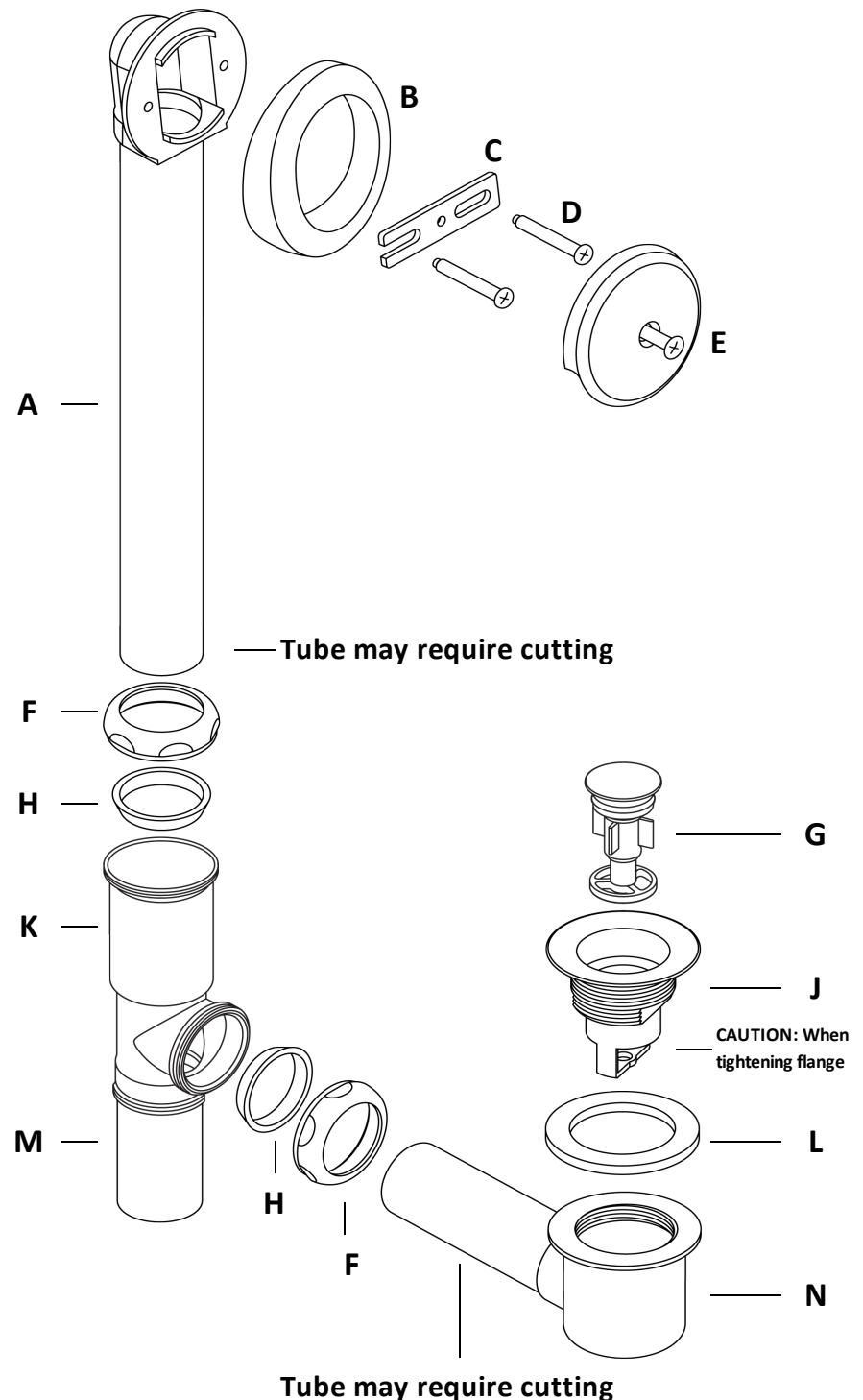
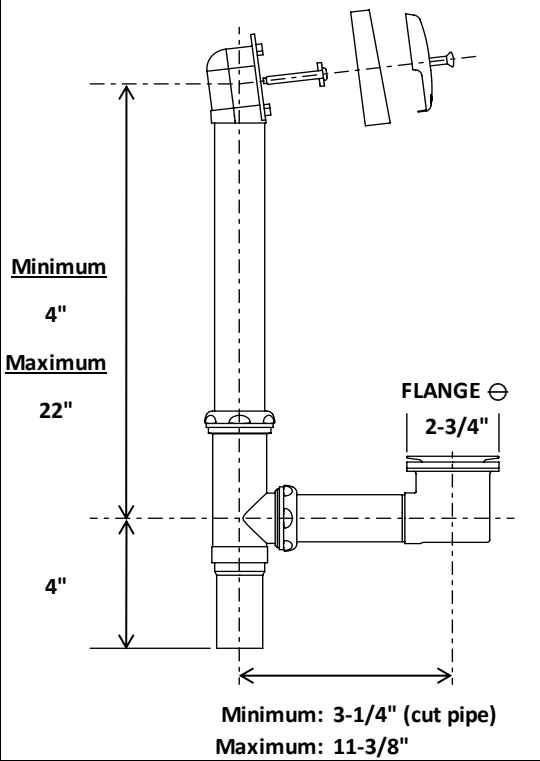




BBUX: INSTALLATION

71233-##

Rough-in Dimensions



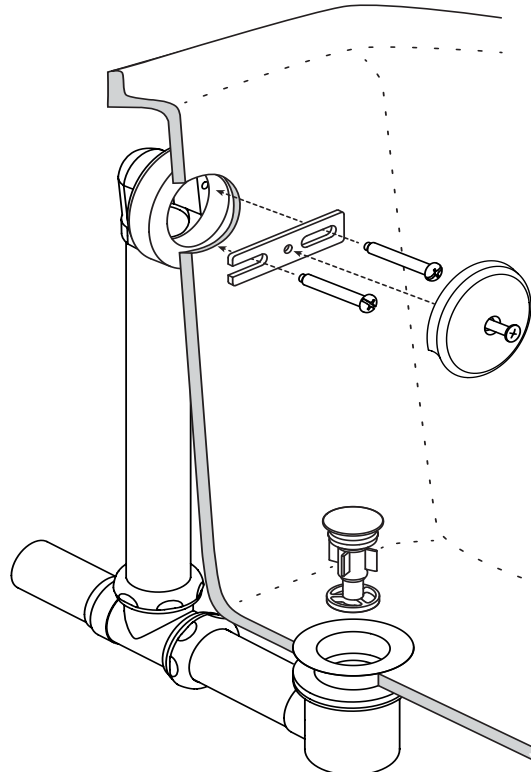
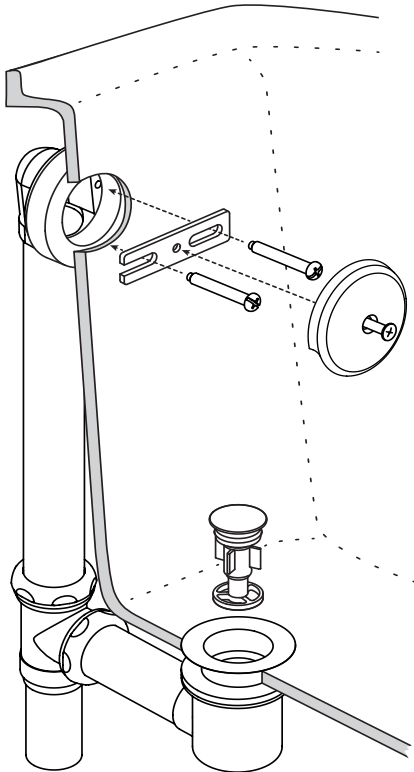
PART DESCRIPTION	
A	Overflow Tube Assembly
B	Overflow Gasket
C	Overflow Retaining Plate
D	Overflow Screws
E	Overflow Cover and Screw
F	Slip Joint Nut
G	Pop Down® Stopper
H	Slip Joint Seal
J	Pop Down® Flange
K	Drain Tee
L	Rubber Washer
M	1-1/2" OD Tail Piece
N	Shoe Ell & Tube Assembly





BBUX: INSTALLATION (continued)

71233-##



Vertical Sanitary Sewer Configuration

Horizontal Sanitary Sewer Configuration

INSTALLATION: Bounty Brassware recommends installation by qualified technician as required in your local jurisdiction

- ⇒ Study parts on Page 1 and install per your required configuration shown above
- ⇒ Test-fit entire assembly prior to final installation to verify correct tube length on SHOE ELL TUBE and OVERFLOW TUBE assemblies
- ⇒ Cut tubes as necessary for performing a "test-fit"
- ⇒ Once test-fit is correct, proceed with final installation

- Apply non-staining sealant to underside of FLANGE (caution: some plumbers putty may void finish warranty)
- Seat FLANGE into tub drain opening from within tub. Assure an adequate seal is achieved with sealant
- From underside of tub place RUBBER WASHER on to FLANGE
- Screw SHOE ELL ASSEMBLY on to FLANGE
- Tighten FLANGE from within tub ***DO NOT OVER TIGHTEN***
- Install Overflow Assembly as per test-fit. Be sure to apply teflon tape to threads of over-flow screws
- Test entire unit for water tight integrity with the use of a test-ball or similar. Fill tub to a point above the overflow and check for leaks

