



BOUNTYBRASSWARE
Designer Bathroom Fittings



The Pop Down® for Integral Overflow Tubs

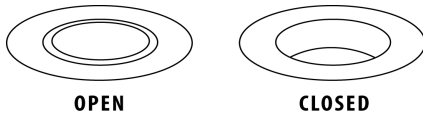
WWW.BOUNTYBRASSWARE.US

BUX: Specifications 71232-##

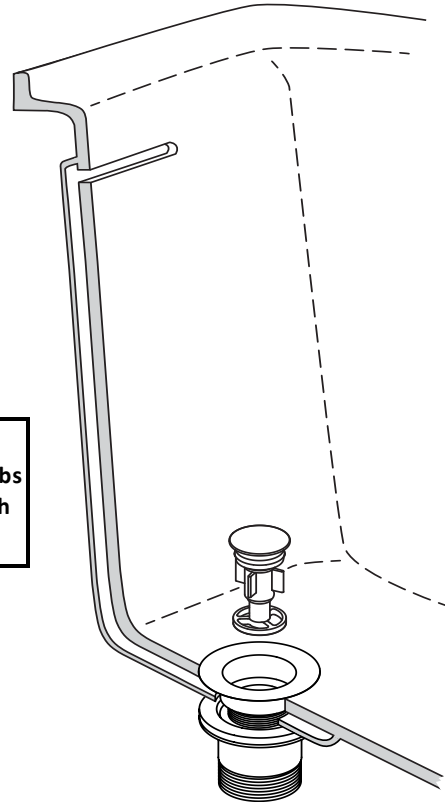
Features

- Exclusive World Wide Patented Pop Down® Closure
- No Protruding Stopper for Bathing Comfort
- Solid Brass Construction
- Elegant Profile: Stopper Sits Flush in Open Position
- HIGH SPEED MODE: Simply Lift Out the Stopper for Even Faster Draining
- No Inadvertent Draining by Kicking Stopper
- Works for Standard Tubs, too

Operation



PLEASE NOTE:
The Pop Down® for integral overflow tubs may be installed on standard tubs with contractor-built overflows, too.



Compliance



- ASME A112.18.2-2011 / CSA B125.2-11
- Uniform Plumbing Code UPC®
- National Plumbing Code of Canada

Finishes / Colors "-##"

- -PC Polished Chrome, Standard Finish
- -AB Antique Brass, Artisan Finish
- -BN Brushed Nickel, Natural Finish
- -BTB Bella Terra Bronze, Artisan Finish
- -LSG Satin Gold, Satin PVD
- -MBLK Matte Black
- -PVD Polished Brass, PVD Finish
- -PN Polished Nickel, PVD Finish
- -SS Satin Nickel PVD, (Stainless Steel Look)

Product Specification: Waste	Add Finish/Color Suffix "-xx" to Below Model Number
The tub drain shall be made of solid brass and ancillary durable material construction. The drain shall be furnished with 1-1/2" NPSM connection. The Drain shall have a Pop Down® stopper. The drain shall be Bounty Brassware® Pop Down® BBUX71232-_____	
Product Specification: Extension	
The Pop Down® Drain (71232-##) shall be furnished with solid brass extension(s) for tub thicknesses exceeding about 1-13/16". One extension shall be furnished for each additional 1-1/4" of tub thickness required above and beyond 1-3/4" thickness. The extension shall be 29356.	

Extension 29356 is not included. Each extension adds about 1 1/4" to effective depth of flange installation



BOUNTYBRASSWARE
Designer Bathroom Fittings



The Pop Down® for Integral Overflow Tubs

WWW.BOUNTYBRASSWARE.US

Assembly & Dimensions

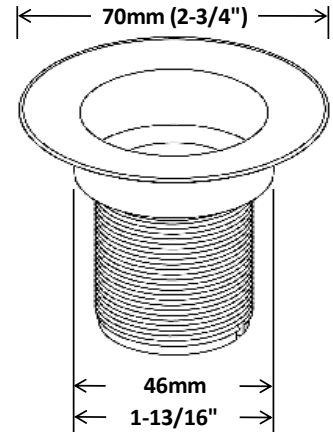
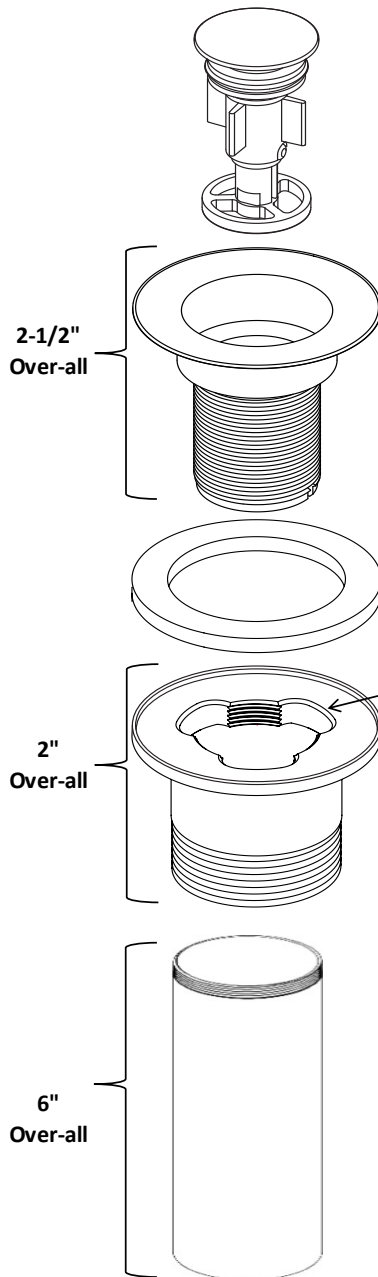
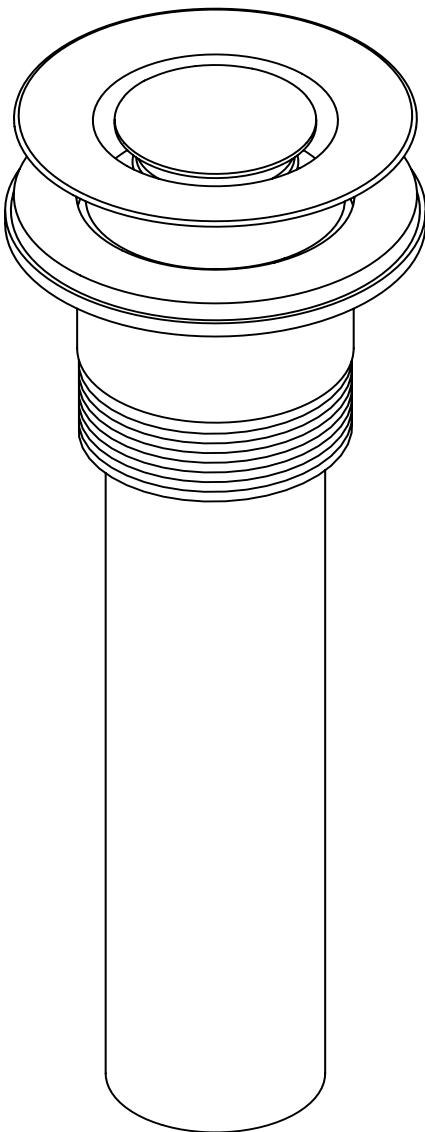
BBUX71232-xx

Nominal dimensions, shown to nearest 1/16"

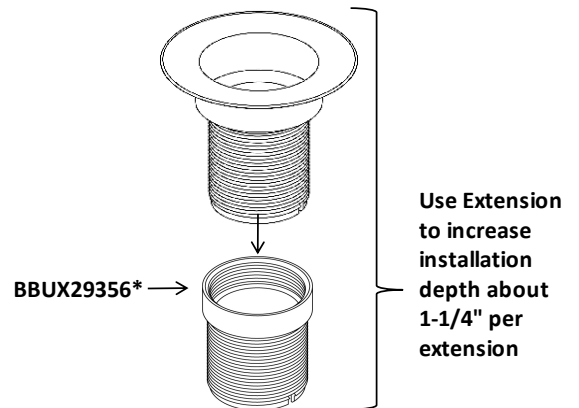
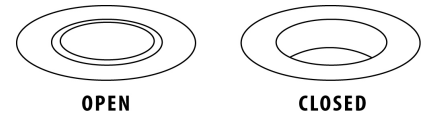
Drawings not to scale

PLEASE NOTE:

The Pop Down® for integral overflow tubs may be installed on standard tubs with contractor-built overflows, too.



Operation



*Extension BBUX29356 Sold Separately

U.S. Patent 9151027

REVISED: 1-Dec-20

BOUNTY BRASSWARE AMERICAS, LLC, THE AMERICA'S DISTRIBUTOR, IS A SOLE AND SEPARATE ENTITY AND IS NEITHER RELATED TO NOR OWNED BY BOUNTY BRASSWARE OF AUSTRALIA

©2020 BOUNTY BRASSWARE AMERICAS, LLC