

The Spare Part List is valid for the following articles:  
13626 ENA micro 1 UL 120V/60Hz [UL2]

For Jura parts & tech support, contact:

**Services Unlimited, Inc./ Parts Guru**

209 Walnut street, Lansdale PA 19446 email: [sales@partsguru.com](mailto:sales@partsguru.com)

Visit & subscribe "Do It Yourself" Video Guides on our

**You Tube channel Parts Guru USA link:**

<https://www.youtube.com/user/PartsGuruUSA>

Jura machines are made by Eugster/Frismag AG. in Switzerland, Portugal & in China. Jura as marketing Company does not share technical help or sell parts.

**We at Parts Guru sell parts, repair or trade in Jura machines.**

CLICK HERE to subscribe & watch the 'Do It Yourself' instructional videos for opening the Jura C, E, F, J, S, Z, & ENA series & Saeco machines. Video guides show how to open-close machine, replace grinder, Brew group, tune up the machine & more!

Jura Water filters are Expensive & Ineffective. Calcium deposits are seen in every Jura machine opened for repairs.

**Calcium deposits inside the machine cause the following problems:**

1- Reduces flow of water with partial or total clogging; 2- Generate back pressure; 3- reduce pump pressure; 4- reduce flow of coffee in the cup; 5- Re-direct water for coffee into the drain tray; 6- Display error sign "Fill water tank"; 7- Errors paralyze the machine for expensive repairs.

Descaling is best done manually every two or three months, without waiting for pre-programmed **electronic reminders**, based on number of coffees served and not based on Calcium contents in water in different locations. **CLICK HERE** to Order Best descaler (#DSC-6) & descale manually every three months.

**Jura does not sell parts. Majority of Jura owners are upset all over the World. The feedback below describes it well:**

**I am writing from Australia, as I own a Jura Impressa J5 machine that has split the reinforced silicone hose joining the check valve down the bottom of the machine to the thermoblock up the top right hand side of the machine. As you would know Jura won't help me at all (they helped empty AU \$2000 from my bank account when I purchased the machine), and won't even discuss alternate options other than sending the machine to them with \$500 so they can replace a \$20 hose for me. Can you advise an alternate way of fixing it, as I can access silicone hose the same size, but cant find reinforced silicone that size anywhere in Australia. Look forward to your reply Regards, Graham.**

We provide technical information via e-mails, over the phone & when possible with Video guides posted on our You tube channel - "Parts Guru USA". When repair option is not possible due to unavailable parts or prohibitive cost of repairs, we offer Trade-in option from our two exclusive models Gamea Revo or Saeco Royal One Touch automatic espresso machines, 10 times better than any Jura machine, & priced 3 to 5 times lower.

# Gamea Revo

**Guru's Choice Fully Automatic Espresso maker.**  
**Commercial internal components inside a Home model frame**

- 1- Touch screen with App-like Icons program & operate functions. Get used to convenience
- 2- **Plug the machine & use Screen. No Knobs, No buttons, No Switches & No problems.**
- 3- Solenoid valves dispense water & steam: **Water & Steam valve malfunction eliminated.**
- 4- Easy access Brew group inside door for cleaning & maintenance: **Unlike Jura machines.**
- 5- Brew group water intake direct from Heat exchanger: **No Boiler valve or its problems**
- 6- Conical burr grinder feeds grinds directly into brew group: **Dosing device eliminated**
- 7- Coffee extraction with 9 Bar pressure control valve & dispensed via simple spout.
- 8- 1.75 Minute warming up & rinse cycle. **10 Minute non-use turns screen to display icon.**
- 9- 30 minutes non-use shuts off Power control board & boilers. **Prevents internal damage.**
- 10- Auto frother with air-intake control knob. **Frother is removable for manual steaming.**
- 11- Adjustable features: **Coffee temperature** from 160F to 180F - **Coffee size** 1-Oz. to 8 Oz. **Cup height** 2.0" to 4.25" tall coffee mug. **Pre-ground Option-Yes. Coffee strength** 3 to 5.

**ESC icon displays with each function to stop or interrupt it.**



Click picture Gamea Black for details

**Gamea  
Revo  
changed  
the way  
Classic  
espresso  
is made**



Click picture Gamea Revo Silver

**Exclusive selection from - Gamea Revo & Royal One Touch 120V**

Super automatic espresso machine. **Click Picture for details**

- 1- Easy access Brew group - to clean & maintain -**Unlike Jura**
- 2- Easy to clean Removable Auto frother for steaming milk.
- 3- Display screen for Status & Programming functions.
- 4- Programmed drinks for One-step delivery: Espresso, Americana, Cappuccino, Latte Macchiato at the push of button. Unlike **Jura machines**, Tech support & parts available.



**As Good As it Gets - Best use of your Money**

**Order one** or **Trade-in** your old & expensive to repair Jura, Breville, Gaggia

**Feel intrigued by Gamea? Call us to discuss**

**Have questions? E-mail inquiries to sales@partsguru.com**

# A New Star is Born.

## **Aulika Top - One Touch High speed**

**Original Saeco lineage - Unrivalled performance - Plumb option**

**Large waste receptacles for use in Offices, Catering & Rentals**

The perfect combination of aesthetics & Professional performance. It has a clean, rational design & unparalleled technology: double hydraulic circuit with two pumps, two Flowmeters & two boilers. Grinder with conical blades - (far better than flat disc burrs), & 4-Liter water tank & One Kilo coffee beans container. All these characteristics make this machine **perfect for families, Offices, Catering, Rentals for Weddings, Graduation & other celebrations, Corporate Dining, Hotel Conference event, Hotel Lobbies, Meeting rooms, & food service, Cafeterias, Restaurants, Pizza stores, or other locations.**

(UL listed. Not NSF listed for Commercial use in USA).

**Be the First proud Owner of an AuLika Top - One Touch High Speed**



**AuLika Top - One Touch High Speed model delivers a wide range of coffee & fresh-milk-based beverages, as well as hot water & steam. The wide graphic display can manage both icons & text message in several languages.**

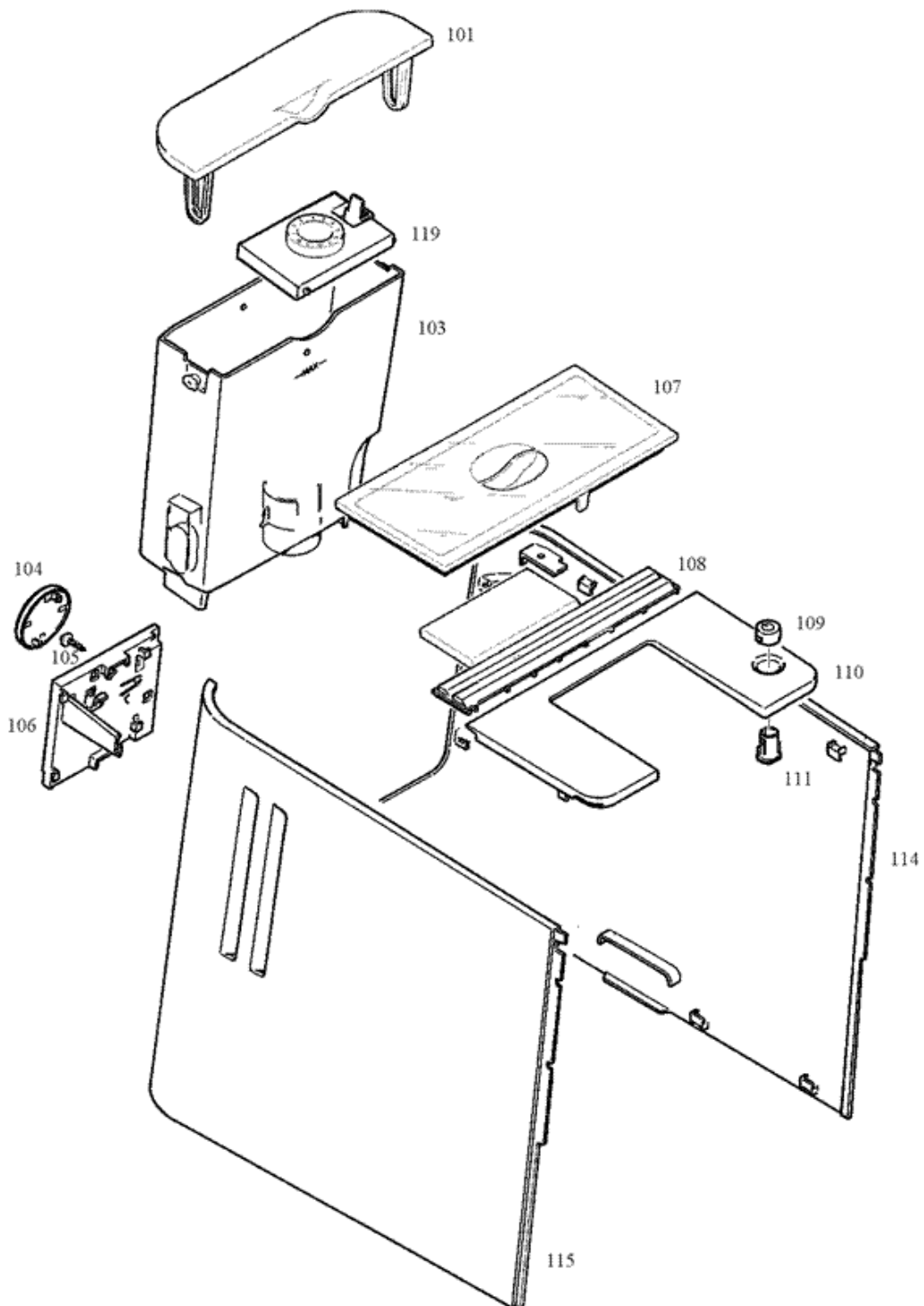


**The interface is equipped with 8 direct selection keys that make the machine easy to use and program.**

**For more information email us: [sales@partsguru.com](mailto:sales@partsguru.com)**

(1) Case components and water tank

S13626\_01

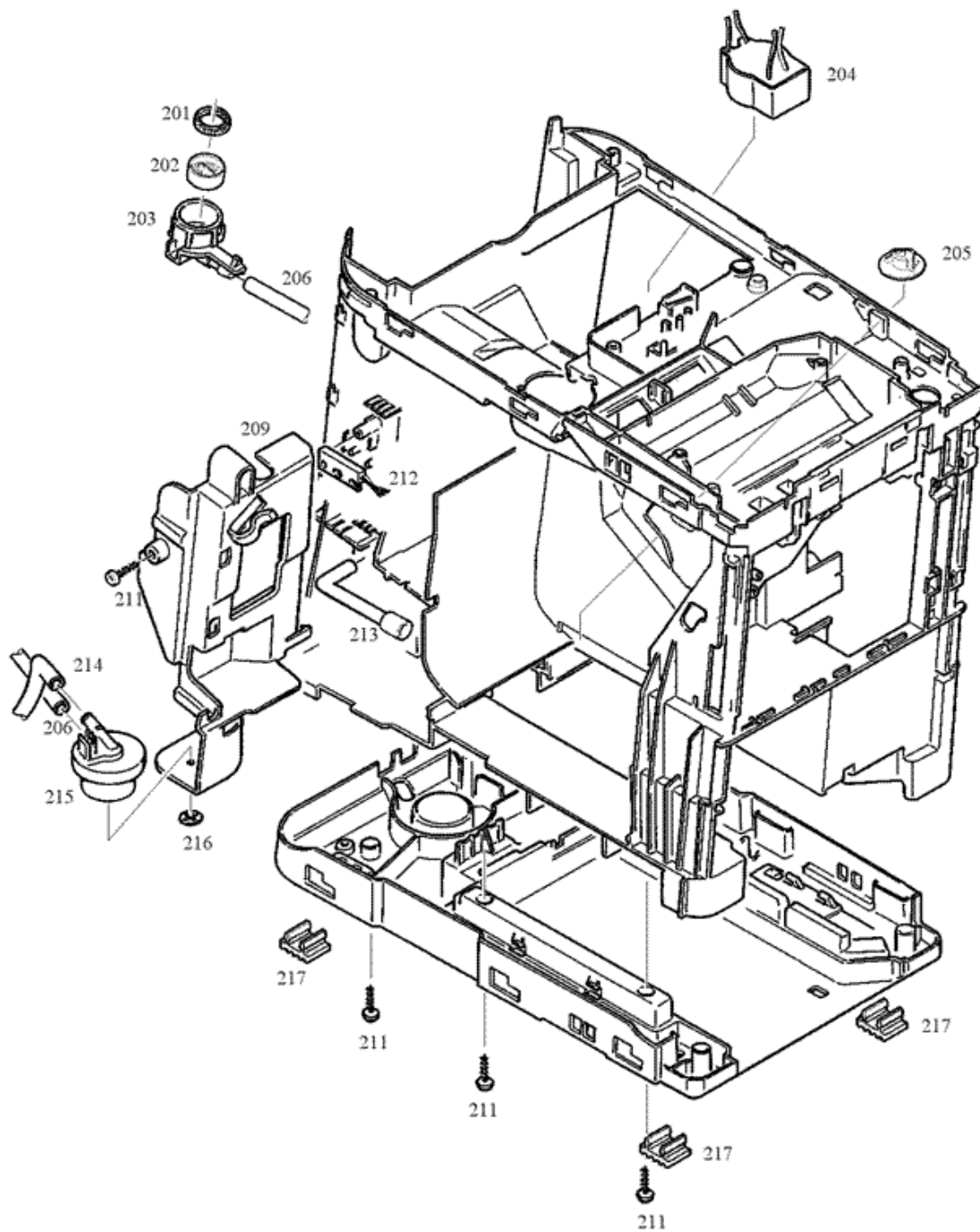


Pos	Designation	
0101	Tank lid black	X
0103	Watertank BLUE UL	X
0104	Emblem Jura cpl	X
0105	Screw KST/PT 3x12 vz-sw RoHS	X
0106	Bolt back black	X
0107	Bean container cover	X
0108	Ventilation cover	X
0109	Switch	X
0110	Cover at the front	X
0111	Support	X
0114	Right side section black V2	Barcode 01062012 X
0114	Right side section black	X
0115	Left side section black V2	Barcode 01062012 X
0115	Left side section black	
0119	Bracket BLUE UL	X

For parts, repairs & tech support, contact:  
**Services Unlimited, Inc./ Parts Guru**  
209 Walnut street, Lansdale, PA 19446  
215-361-7000 - email: [sales@partsguru.com](mailto:sales@partsguru.com) Online  
store: [www.shop.partsguru.com](http://www.shop.partsguru.com)

## (2) Case components

S13626\_02



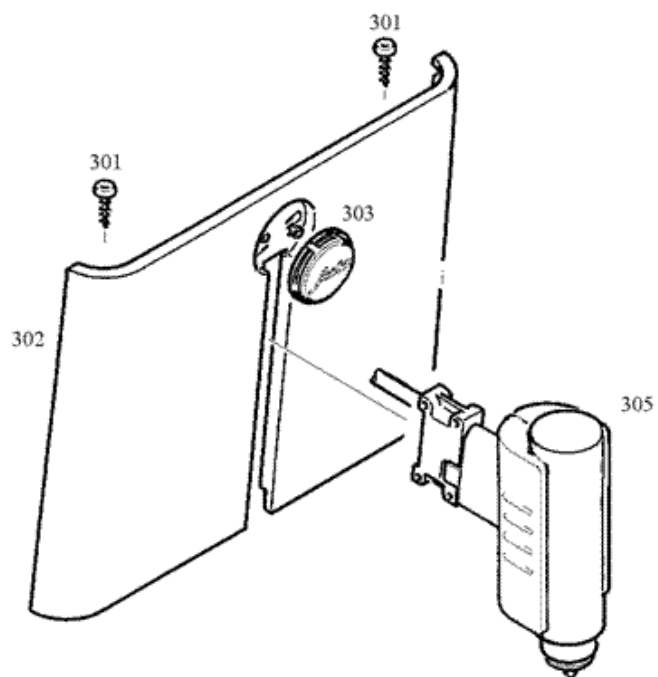
Pos	Designation	
0201	O-ring 100pcs (sep. 59456)	X
0201	Inner distributing collar	X
0202	Sieve	X
0203	Bottom	X
0204	Interference eliminator UL	X
0205	Cap black	X
0206	Silicone hose 05.0x2.00x315	X
0209	Flowmeter adapter	X
0211	Fillister head screw 3.5x12	X
0212	Reed sensor MS-324/244F	X
0213	Silicone hose 5x2x80mm 60sh	X
0214	Silicone hose 05.0x2.00x215	X
0215	Flowmeter fhksc 12r 0-degree	X
0216	Retaining ring starlock d=3	X
0217	Elastic pad	X

For parts, repairs & tech support, contact:  
**Services Unlimited, Inc./ Parts Guru**  
209 Walnut street, Lansdale, PA 19446  
215-361-7000 - email: [sales@partsguru.com](mailto:sales@partsguru.com) Online  
store: [www.shop.partsguru.com](http://www.shop.partsguru.com)



### (3) Front cover

S13626\_03



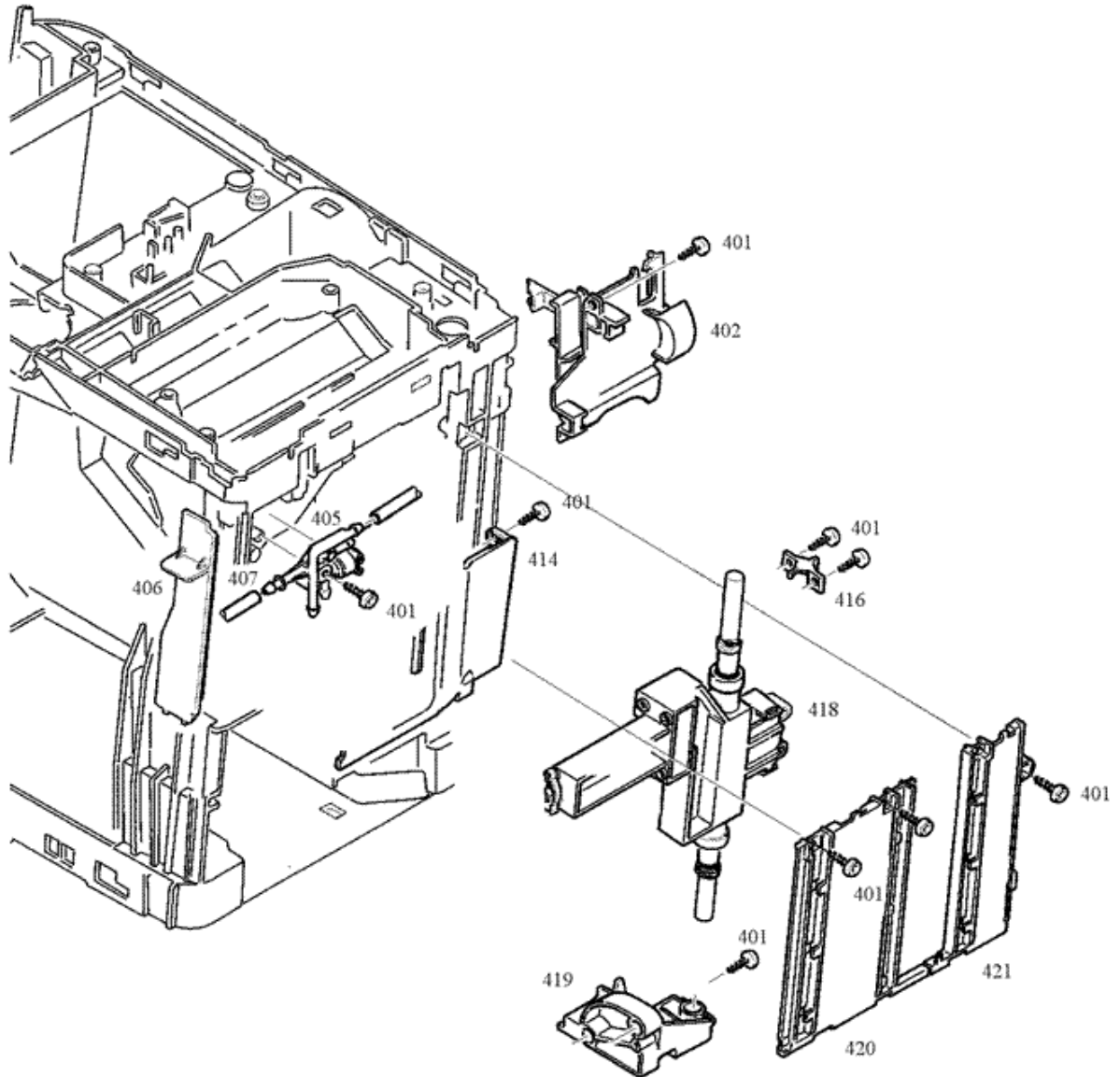
S13626 ENA micro 1 UL 120V/60Hz [UL2] 681  
Edition: 13/02/13

Art.-Nr.	Pos	Designation	
62942	0301	Fillister head screw 3.5x12	X
70789	0302	Front shield black	X
70790	0303	Emblem Jura cpl	X
70788	0305	Outlet ass. Coffee	X

For parts, repairs & tech support, contact:  
**Services Unlimited, Inc./ Parts Guru**  
209 Walnut street, Lansdale, PA 19446  
215-361-7000 - email: [sales@partsguru.com](mailto:sales@partsguru.com) Online  
store: [www.shop.partsguru.com](http://www.shop.partsguru.com)

#### (4) Support plate and spout

S13626\_04

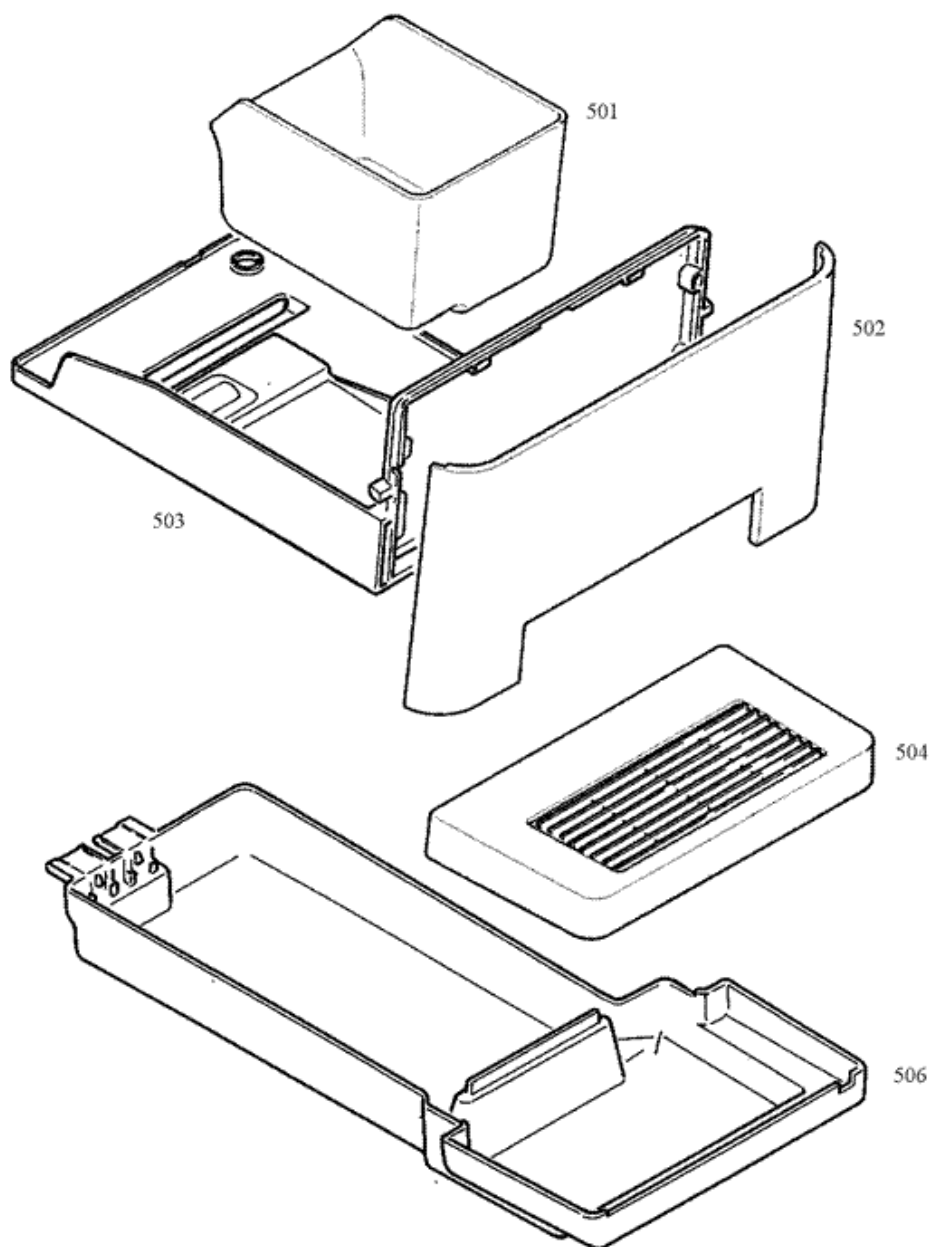


Pos	Designation	
0401	Fillister head screw 3.5x12	X
0402	Bracket	X
0405	Valve body	X
0406	Safety element	X
0407	Silicone hose 03.0x1.50x080	X
0414	Cover	X
0416	Bracket	X
0418	Guide for outlet gate	X
0419	Support	X
0420	Support front cover left	X
0421	Support front cover right	X

For parts, repairs & tech support, contact:  
**Services Unlimited, Inc./ Parts Guru**  
209 Walnut street, Lansdale, PA 19446  
215-361-7000 - email: [sales@partsguru.com](mailto:sales@partsguru.com) Online  
store: [www.shop.partsguru.com](http://www.shop.partsguru.com)

(5) Pan

S13626\_05

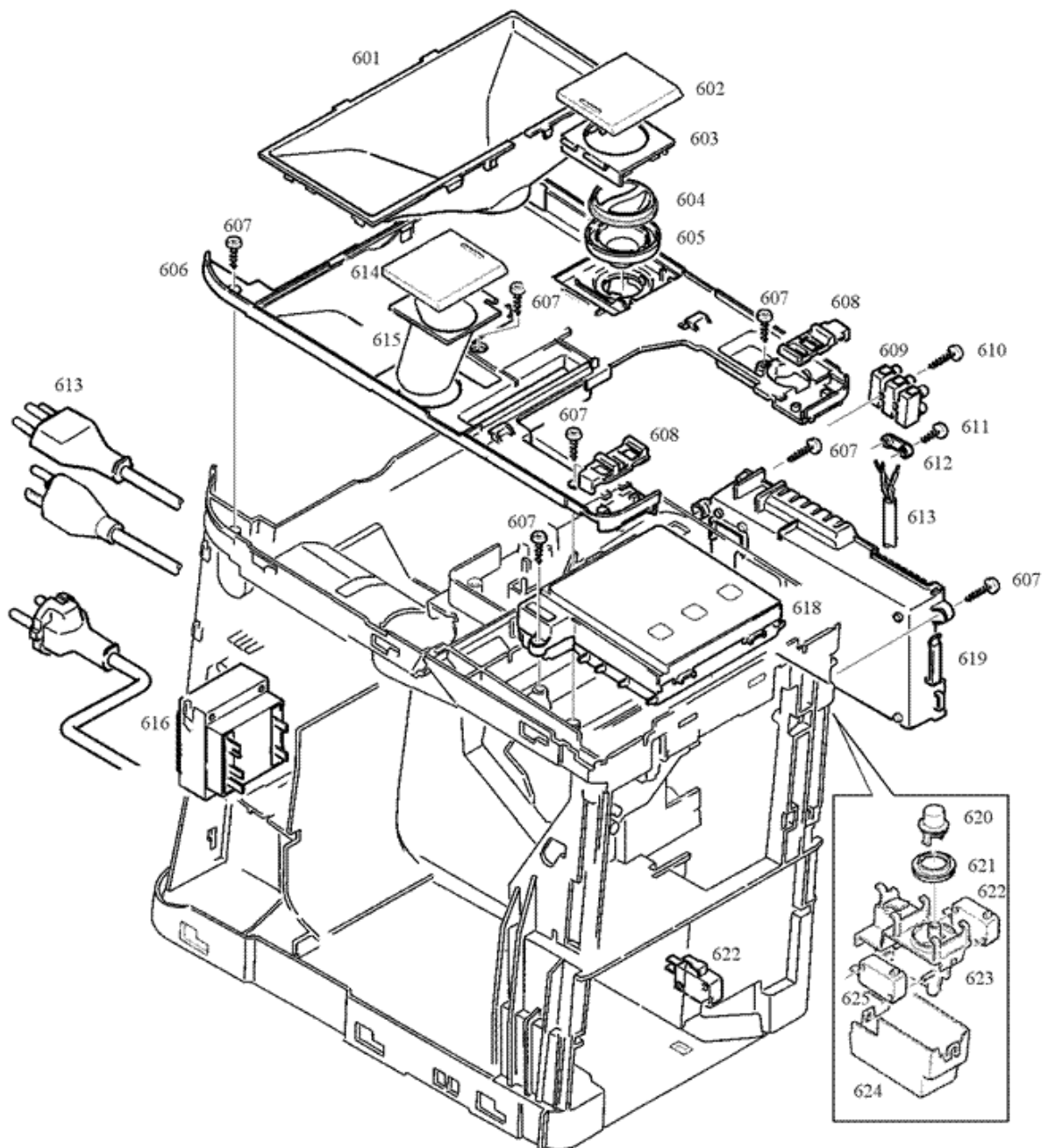


Pos	Designation	
0501	Used ground container black	X
0502	Used ground pan shield black	X
0503	Used ground pan	X
0504	cup grille cpl.	X
0506	Drain pan black	X

For parts, repairs & tech support, contact:  
**Services Unlimited, Inc./ Parts Guru**  
209 Walnut street, Lansdale, PA 19446  
215-361-7000 - email: [sales@partsguru.com](mailto:sales@partsguru.com) Online  
store: [www.shop.partsguru.com](http://www.shop.partsguru.com)

### (6) Printed power circuit board

S13626\_06



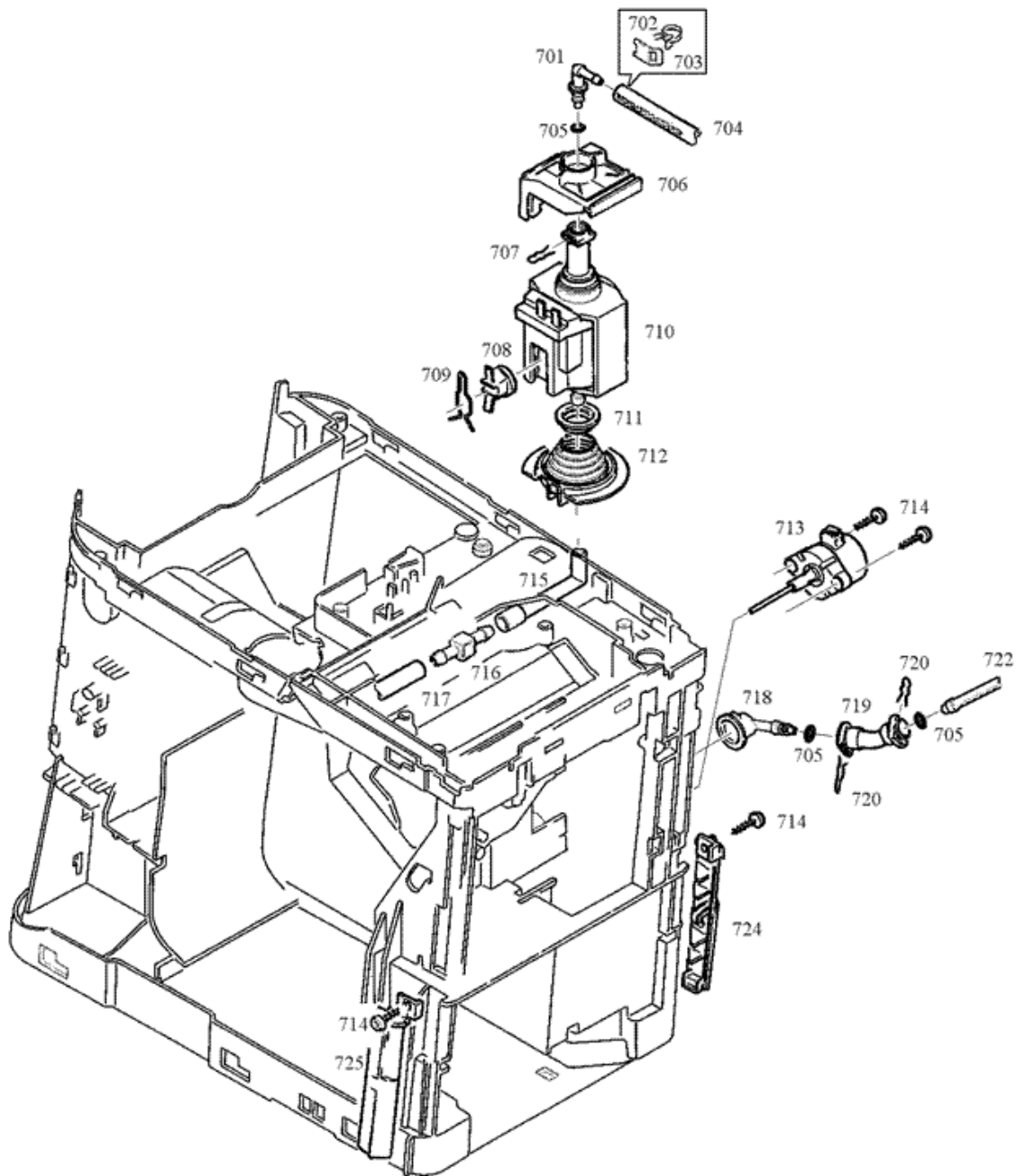
Pos	Designation	
0601	Bean container black	X
0602	Cover	X
0603	Hinge	X
0604	Turn knob grinding adjustment	X
0605	Turn knob grinding adjustment	X
0606	Housing lid black	X
0606	Housing lid black V2	Barcode 01062012 X
0607	Fillister head screw 3.5x12	X
0608	Bolt	X
0608	Bolt V2	Barcode 01062012 X
0609	Terminal 3-terminals	X
0610	Screw kst/PT	X
0611	Fillister head screw 3x12	X
0612	Cable retaining clip	X
0613	Incoming feeder UL TA-3A V2	X
0614	Powder funnel lid	X
0615	Powder funnel black	X
0616	Transformer 120V V2	X
0618	Displaymodul Micro 1	X
0619	Power pcb Micro 1 120V	X
0620	Knob black	X
0621	Seal	X
0622	Microswitch 125-250VAC	X
0623	Switch support	X
0624	Switch cover	X
0625	Microswitch	X

For parts, repairs & tech support, contact:  
**Services Unlimited, Inc./ Parts Guru**  
 209 Walnut street, Lansdale, PA 19446  
 215-361-7000 - email: [sales@partsguru.com](mailto:sales@partsguru.com) Online  
 store: [www.shop.partsguru.com](http://www.shop.partsguru.com)



### (7) Fluid system

S13626\_07

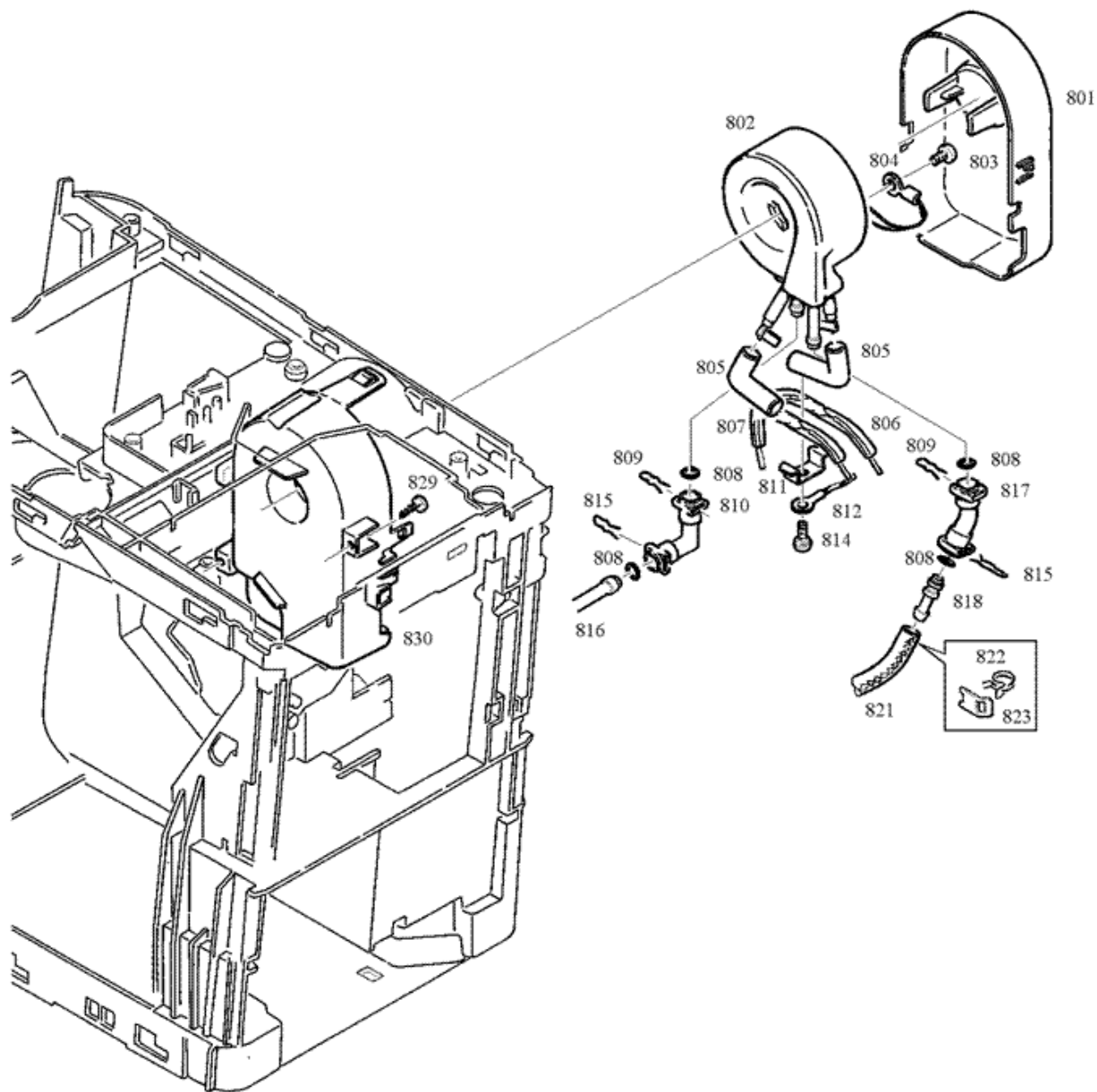


Pos	Designation	
0701	Connection s L-Form 90°	X
0702	Clamping spring D=1.3mm V2	X
0703	Holder	X
0704	Silicone tissue hose D 4.2	X
0705	O-ring 100pcs (sep. 58775)	X
0706	Pump carrier Sysko	X
0707	Clamp D=5mm	X
0708	Thermostat 115C/10A 1NT01L	X
0709	Clamp to thermostat	X
0710	Pump SAP.HP4.V03 120V/60Hz	X
0711	Pump support	X
0712	Absorber set	X
0713	Motor UCL13N04B2KZ26	X
0714	Fillister head screw 3.5x12	X
0715	Angled hose	X
0716	Connection I-forme 7.5mm	X
0717	Silicone hose 05.0x2.00x215	X
0718	Connection	X
0719	Connection s V-Form 55°	X
0720	Clamp	X
0722	Pressure hose 4x2.5x150mm	X
0724	Cover black righth	X
0725	Cover black left	X

For parts, repairs & tech support, contact:  
**Services Unlimited, Inc./ Parts Guru**  
209 Walnut street, Lansdale, PA 19446  
215-361-7000 - email: [sales@partsguru.com](mailto:sales@partsguru.com) Online  
store: [www.shop.partsguru.com](http://www.shop.partsguru.com)

**(8) Heater**

S13626\_08

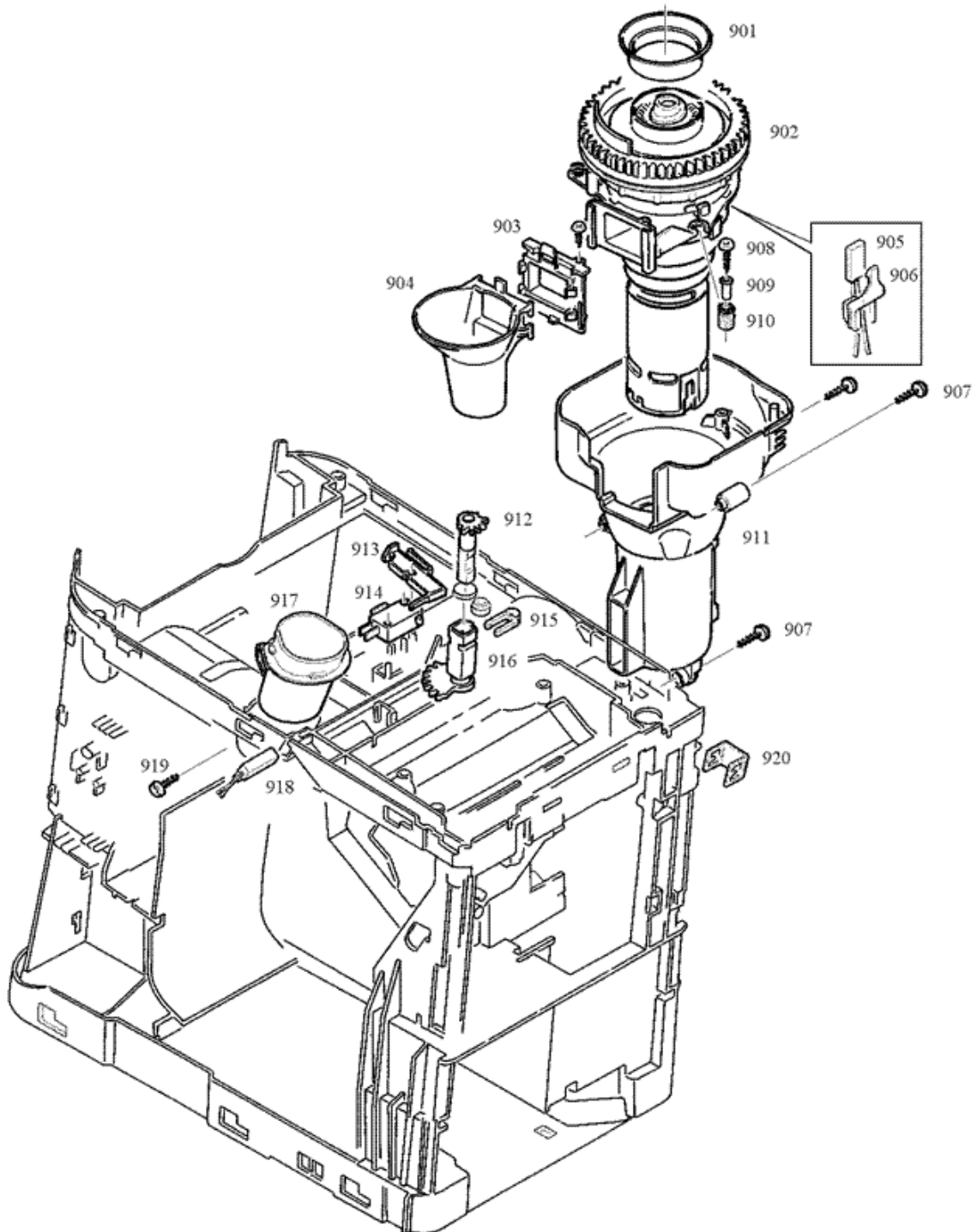


Pos	Designation	
0801	Lid TB2010	X
0802	Thermoblock 2010/L 120V/1400W	X
0803	Oval-headed screw M5x8 RoHS	X
0804	Sensor thermoblock complete	X
0805	Insulation	X
0806	Fused-cord UL 192C (1xE5)	X
0807	Fused-cord UL 192C (1xE5)	X
0808	O-ring 100pcs (sep. 63444)	X
0809	Clamp D=5mm	X
0810	Connection s L-Form 90°	X
0811	Clamp STB TB2010	X
0812	Silicone cord yellow/green 360	X
0814	Screw M4x8	X
0815	Clamp	X
0816	Pressure hose 4x2.5x150mm	X
0817	Connection s V-Form 55°	X
0818	Nipple 1-time black	X
0821	Silicone tissue hose D 4.2	X
0822	Clamping spring D=1.3mm V2	X
0823	Holder	X
0829	Fillister head screw 3.5x12	X
0830	Support TB2010	X

For parts, repairs & tech support, contact:  
**Services Unlimited, Inc./ Parts Guru**  
209 Walnut street, Lansdale, PA 19446  
215-361-7000 - email: [sales@partsguru.com](mailto:sales@partsguru.com) Online  
store: [www.shop.partsguru.com](http://www.shop.partsguru.com)

**(9) Grinder**

S13626\_09

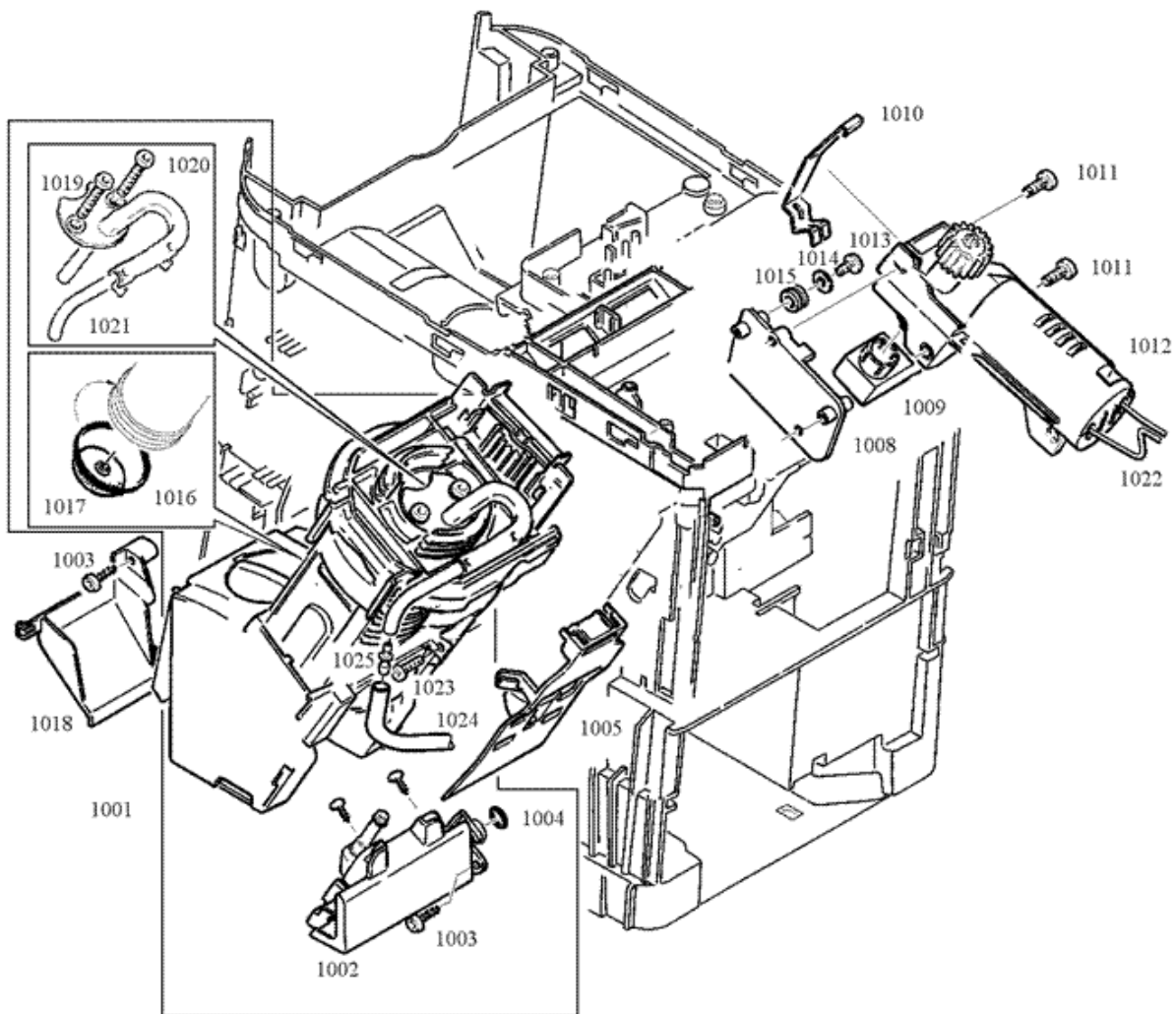


Pos	Designation	
0901	Collar	X
0902	Grinder unit 120V	X
0903	Flange	X
0904	Funnel	X
0905	Thermostat UL	X
0906	Temp.-feeler support	X
0907	Fillister head screw 3.5x12	X
0908	Screw kst/PT	X
0909	Tubular rivet 4x0.4x10 ms blan	X
0910	Rubber buffer	X
0911	Grinder support	X
0912	Bar	X
0913	Switch lever	X
0914	Microswitch 125-250VAC	X
0915	Clamp	X
0916	Bar	X
0917	Guide channel	X
0918	Reed sensor MS-324/244D	X
0919	Screw KST/PT 3.5x12 inox	X
0920	Support	X

For parts, repairs & tech support, contact:  
**Services Unlimited, Inc./ Parts Guru**  
209 Walnut street, Lansdale, PA 19446  
215-361-7000 - email: [sales@partsguru.com](mailto:sales@partsguru.com) Online  
store: [www.shop.partsguru.com](http://www.shop.partsguru.com)

**(10) Brew unit**

S13626\_10



Pos	Designation		
1001	Brew unit assembled		X
1002	Drainage valve ready assembled		X
1003	Screw KST/PT 3.5x12 inox		X
1004	O-ring 5.0x3.0 EPDM		X
1005	Used ground blade V2		X
1008	Console motor V2		X
1009	Encoder V2 RoHS		X
1010	Clamp to encoder		X
1011	Screw M5x12 vz-blau Li-K		X
1012	Geared motor		X
1013	Fillister head screw M4x8		X
1014	Washer M4 4.3x12.0x1.0		X
1015	Elastic pad		X
1016	O-ring 029.75x3.53		X
1017	Sieve V3		X
1018	Powder funnel		X
1019	Clamping black		X
1020	Screw M4x35 vz-blau Li-K.		X
1021	Silicone hose 02.0x1.50x135	Barcode 11062012	X
1022	Jumper cable 2col. Micro		X
1023	Screw M4x10 vz-blau Li-K.		X
1024	Silicone hose 03.0x1.50x080	Barcode 11062012	X
1025	Nipple	Barcode 11062012	X

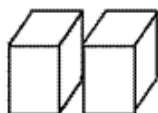
For parts, repairs & tech support, contact:  
**Services Unlimited, Inc./ Parts Guru**  
 209 Walnut street, Lansdale, PA 19446  
 215-361-7000 - email: [sales@partsguru.com](mailto:sales@partsguru.com) Online  
 store: [www.shop.partsguru.com](http://www.shop.partsguru.com)



## (11) Supplement

S13626\_11

1101



Verpackung/  
Packing

1110

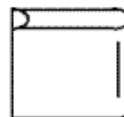


Betriebsmittel/  
Operational funds



Hinweise/  
References

1140

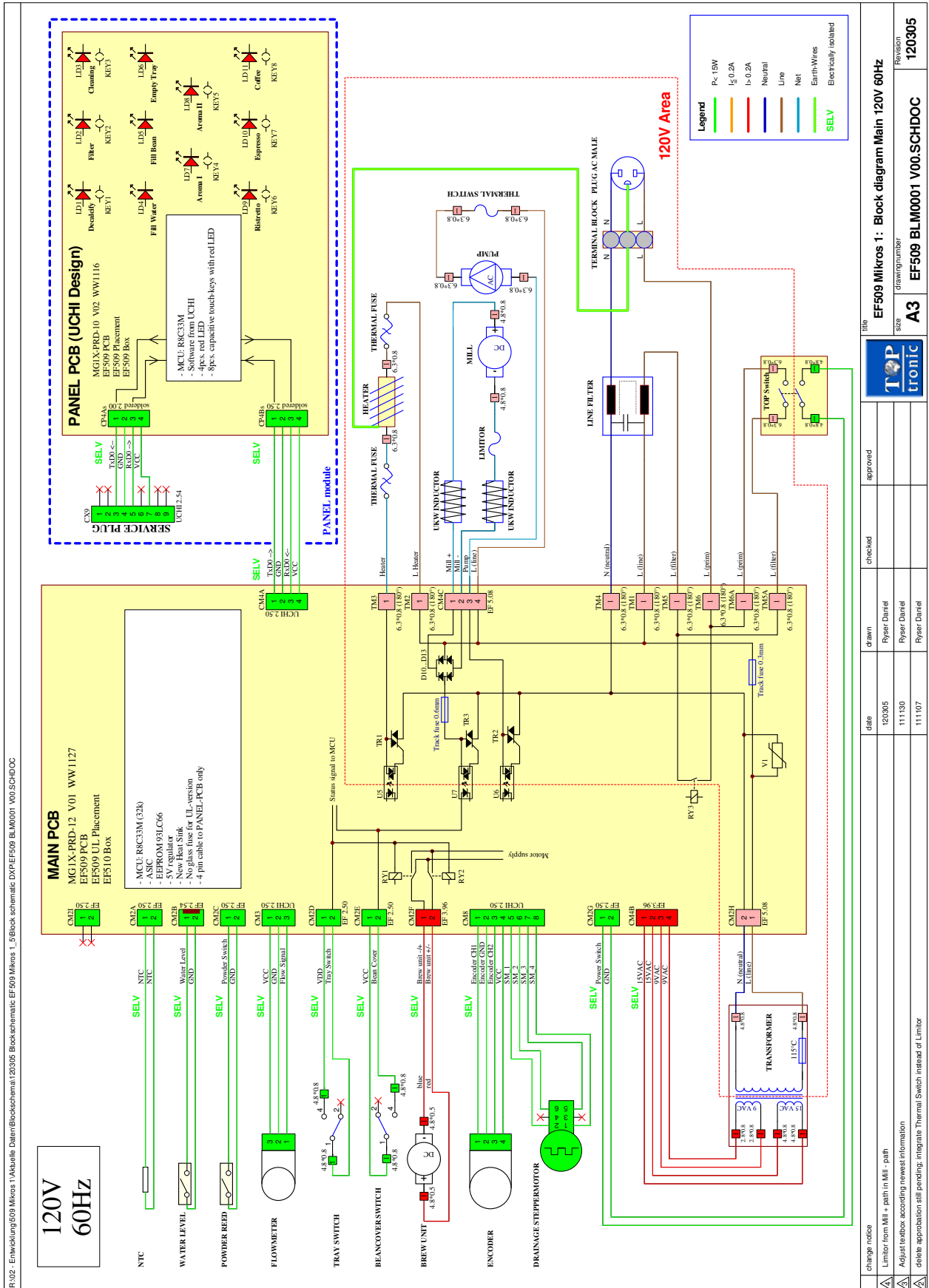


Bedienungsanleitung/  
Operating instructions

Pos	Designation	
1101	Packaging	go SVPMICRO
1110	Quantimeter black	X
1110	Funnel tube	X
1140	Instructions ENA micro 1 US	X

For parts, repairs & tech support, contact:  
**Services Unlimited, Inc./ Parts Guru**  
209 Walnut street, Lansdale, PA 19446  
215-361-7000 - email: [sales@partsguru.com](mailto:sales@partsguru.com) Online  
store: [www.shop.partsguru.com](http://www.shop.partsguru.com)

(1) Scheme power/logic



For parts, repairs & tech support, contact:  
**Services Unlimited, Inc./ Parts Guru**

209 Walnut street, Lansdale, PA 19446  
215-361-7000 - email: sales@partsguru.com Online  
store: www.shop.partsguru.com

For parts, repairs & tech support, contact:  
**Services Unlimited, Inc./ Parts Guru**

209 Walnut street, Lansdale, PA 19446  
 215-361-7000 - email: sales@partsguru.com Online  
 store: www.shop.partsguru.com

**(2) Fluid System**

