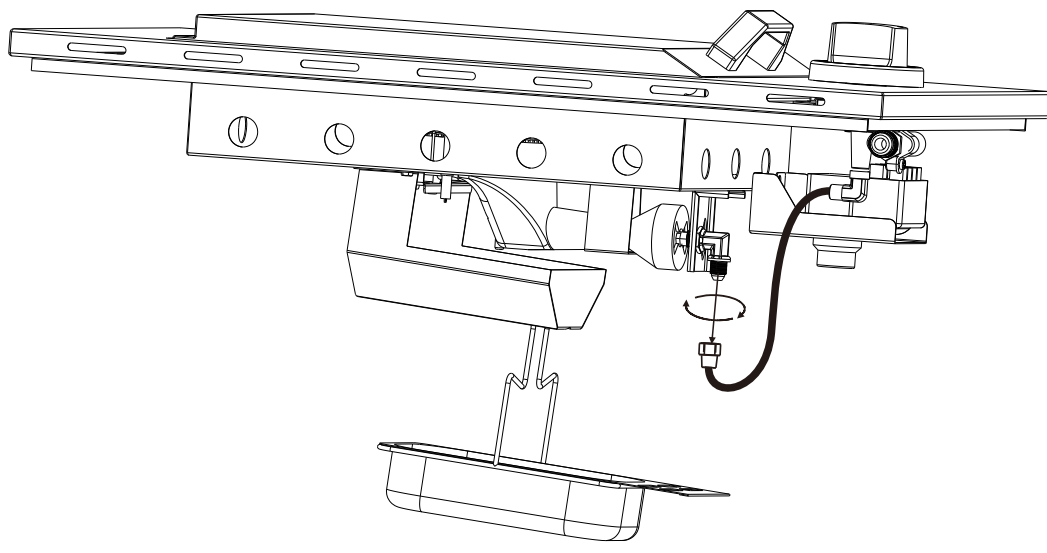
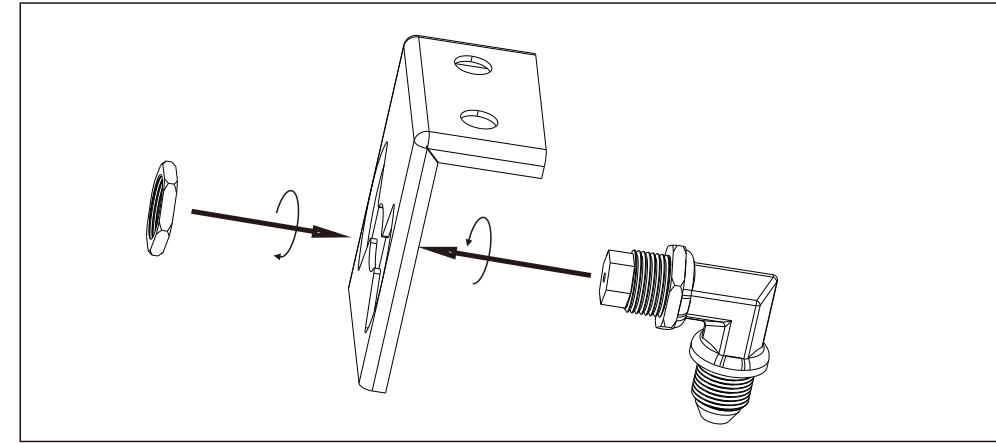


Instruction for LPG/NG gas interchange

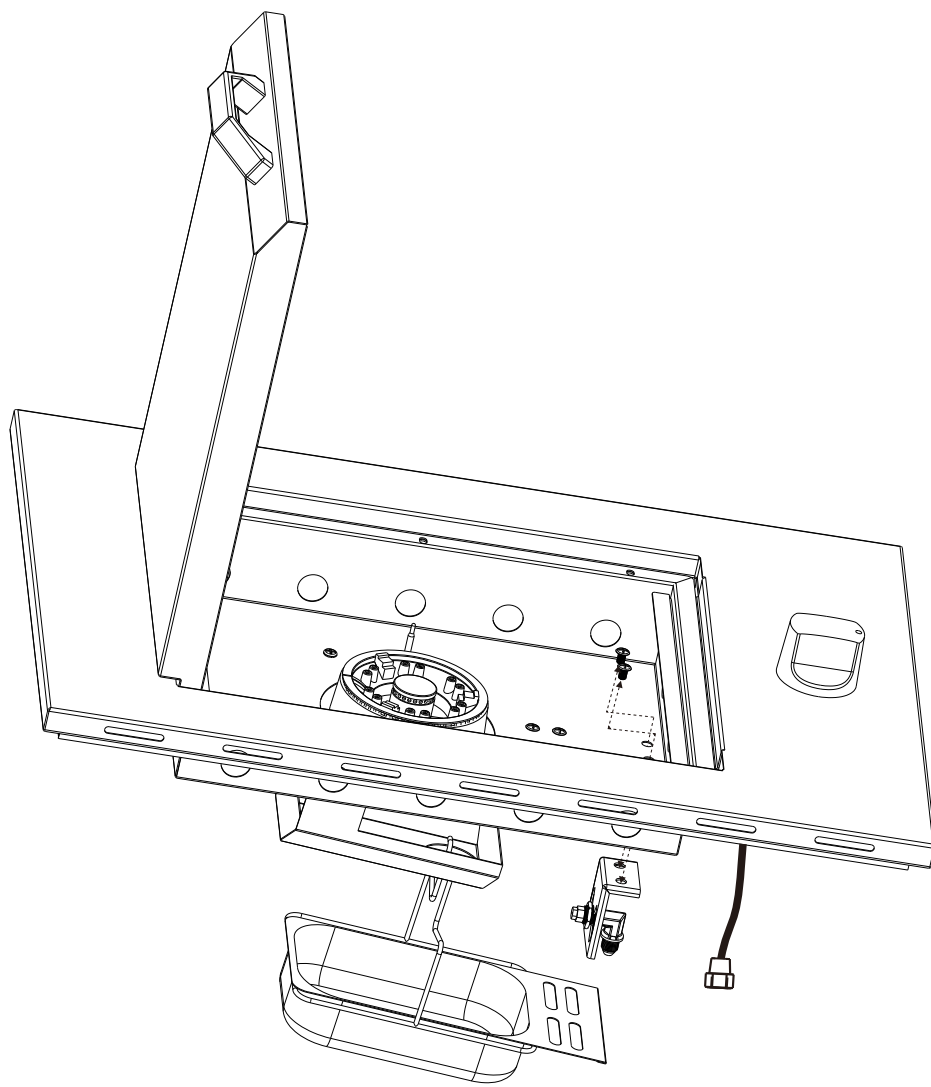
1、 Remove the hose



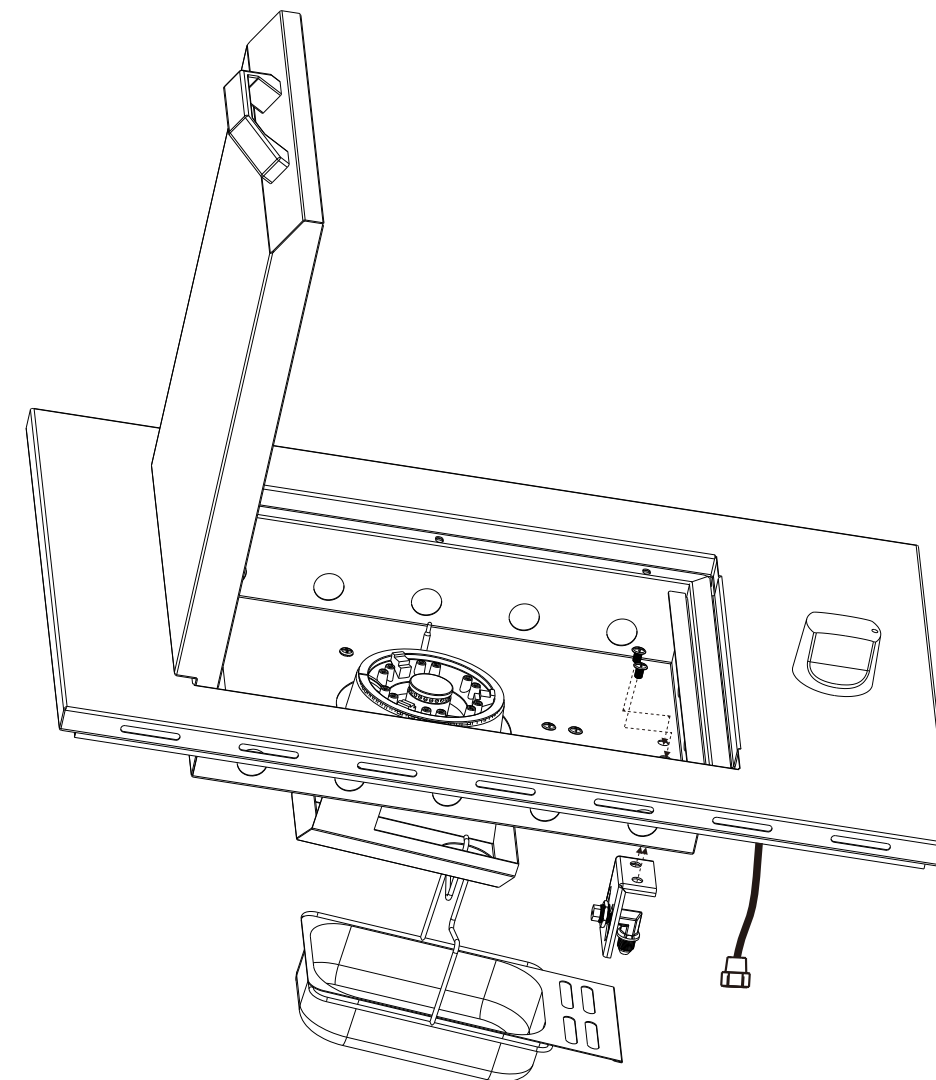
5、 Assembly back the connector



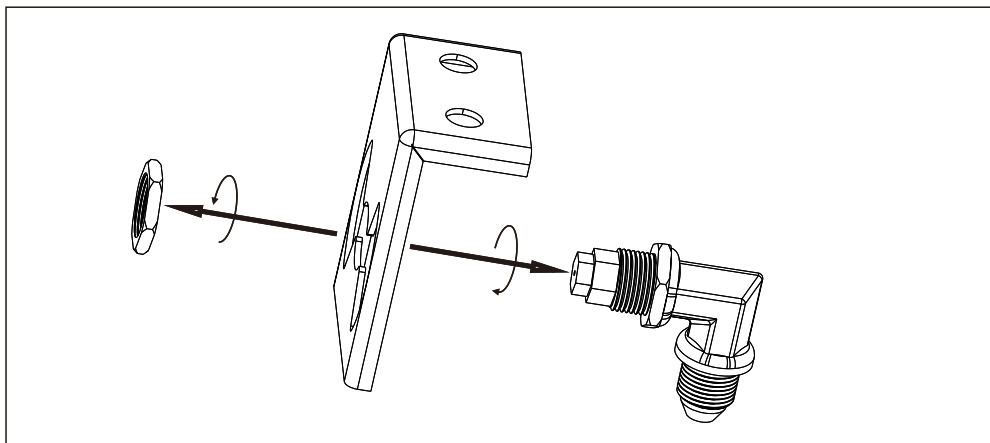
2、 Remove the front supporter from cast iron



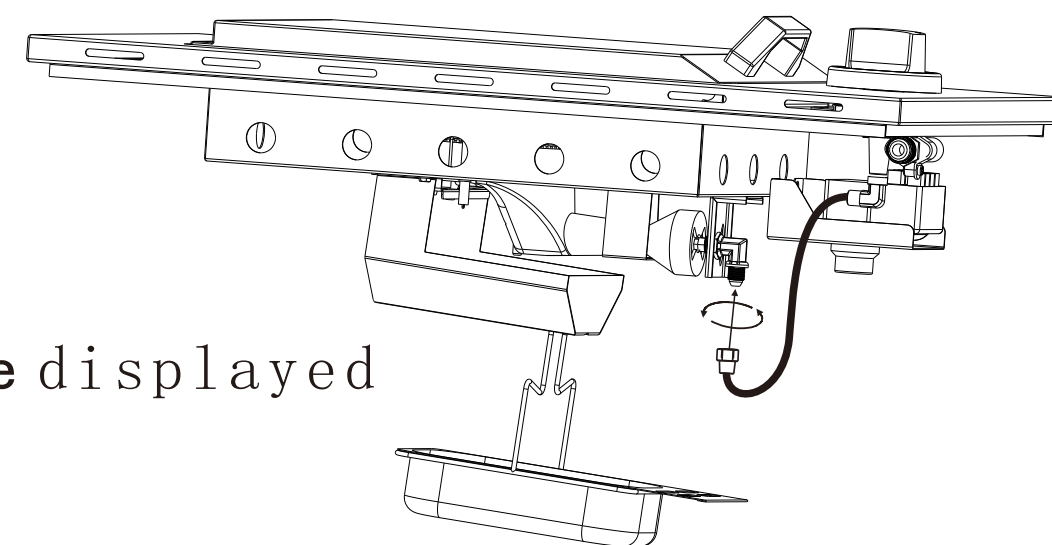
6、 Assembly back the front supporter



3、 Remove the connector (With LPG & NG injector)



7、 Assembly back the hose



4、 Remove the LPG injector, the NG injector will be displayed

