



*Regency Gemfire<sup>®</sup> HZO42 outdoor gas fireplace shown with ceramic garden stones.*

Create an outdoor space you can use all year round with the Regency Gemfire<sup>®</sup> HZO42 outdoor gas fireplace. All of the sophisticated, contemporary styling and quality workmanship of the Regency gas fire range is mirrored in this dramatic outdoor fireplace. This fireplace delivers beautiful wide angle flames amplified by a reflective stainless steel body with the choice of ceramic garden stones, reflective crystals or logs. Quality, style and durable outdoor function make this fireplace a perfect outdoor option.

## STANDARD FEATURES

- Natural gas or propane
- Stainless steel burner (47MJ) covered with copper crystals
- Stainless steel faceplate & firebox
- Tempered glass wind shield
- Stainless steel heat deflector
- Easy access on/off switch
- Electronic ignition
- Seasonal weather cover
- Approved for outdoor installation only
- No venting required

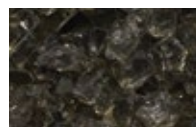
## OPTIONS

- Ceramic garden stones, crystals in various colors,
- ceramic driftwood log set
- Steel framing kit

## FIREBED OPTIONS



Copper crystals



Black reflective crystals



Starfire crystals

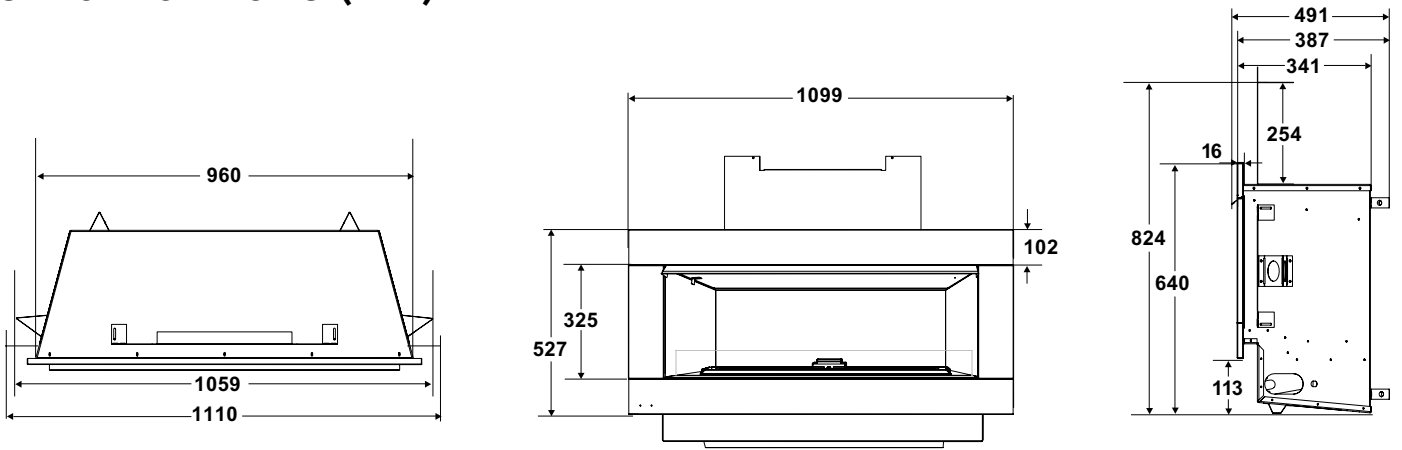


Ceramic garden stones

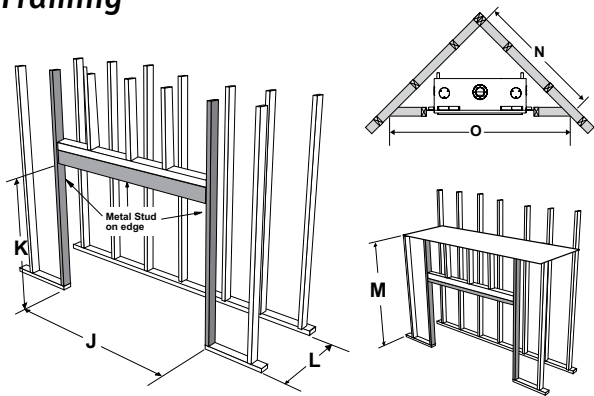


Ceramic log set

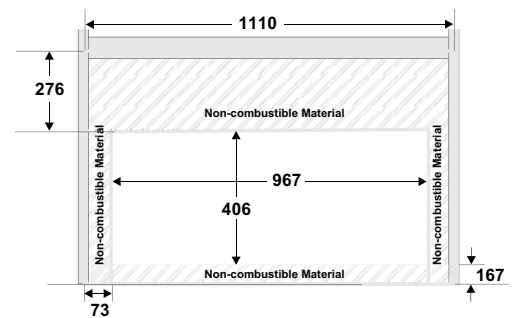
# SPECIFICATIONS (MM)



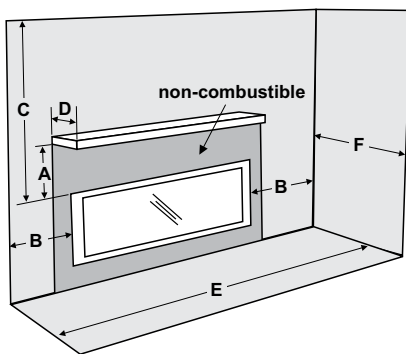
## Framing



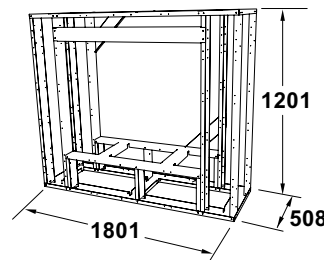
Framing	HZO42
J	1072
K	830
L	508
M	1334
N	1027
O	1376



## Clearances



Clearances	HZO42
A	457
B	280
C	914
D	304
E	1148
F	914



### HZO42 steel framing kit

Now you can order a steel framing kit allowing you to finish this fireplace similar to the featured photo with any outdoor material.

These are guidelines only, subject to change without notice. Always refer to the actual product manual that comes with your unit for specific, current dimensions and clearances.

for your nearest dealer visit:  
**[regency-fire.com.au](http://regency-fire.com.au)**  
 or call 1800 081 978

**Fireplace Products Australia Pty Ltd.**  
 1 Conquest Way,  
 Hallam VIC 3803  
 Australia  
**Phone:** 1 800 081 978  
**Email:** sales@regency-fire.com.au

**Distributor WA**  
**Air Group Australia**  
 28 Division St.  
 Welshpool WA 6106  
 Australia  
**Phone:** 08 9350 2200

**Distributor NZ**  
**Aber Holdings Ltd**  
 17 Mainstreet Place,  
 PO Box 10095, Te Rapa  
 Hamilton 3241  
 New Zealand  
**Phone:** 64 7849 7585

*your Regency dealer*

**Disclaimer: Not all products are available in all territories.**

© 2018 FPI Fireplace Products International Ltd. Regency Plateau™ and Gemfire® are the registered and/or proprietary trademarks of FPI Fireplace Products International Ltd. All rights reserved. (03/18)