

60CM BUILT-IN BARBECUE

MODEL ABBQM3



MADE
IN ITALY



24 MONTH
WARRANTY



60CM



2
GAS
BURNERS



FLAME FAILURE
DEVICE



INTEGRATED
IGNITION



INDOOR/
OUTDOOR



PRODUCT INFORMATION

FINISH

- Meticulous design with seamless finish
- AS316 stainless steel (suitable for outdoor and ocean-front environments)

FEATURES

- Approved for use in enclosed entertaining & dining spaces when installed with the flat BBQ lid
- Automatic Piezo battery ignition with concealed D cell battery compartment
- 1 x removable grease container for oil and residue within the cooking area
- 1 x removable main catcher at the front of the grills with a drain system
- Side control knobs
- Oil/fat reservoir
- Available in natural gas or LPG pre-set

HOTPLATE

- 2 x solid cast iron removable grill plates
- Grills include self locking notches
- Anti-warp engineered hotplate

BURNERS

- x 2 Stainless steel gas burners with flame failure
- Total burner power output 7.2kW / 26 MJ/h (European tested)

AVAILABLE COMPANION PRODUCTS

- ABBQMH3 - Roasting dome BBQ with thermostat
- ABBQMF3 - Slimline flat lid



Pictured: ABBQMH3 hooded lid



Pictured: ABBQM3 with
ABBQMF3 - Slimline flat lid



ABBQM3: EAN 9347777003935

ABBQMH3: EAN 9347777003959

ABBQMF3: EAN 9347777004635

PAGE 1 OF 3
AR28022022

DISCLAIMER

Eurolinx PTY LTD, is continually seeking ways to improve the design specifications, aesthetics and production techniques of its products. As a result alterations to our products and designs take place continually. Whilst every effort is made to produce information and literature that is up to date, this brochure should not be regarded as an infallible guide to the current specifications, nor does it constitute an offer for the sale of any particular product. Product dimensions indicated in our literature is indicative only. Actual product only should be used to define dimension cut outs. Distributors, and retailers are not agents of Eurolinx and are not authorized to bind Eurolinx by any express or implied undertaking or representation.

FOLLOW US ON:  [instagram.com/artusi_appliances](https://www.instagram.com/artusi_appliances)

 www.linkedin.com/company/eurolinx-pty-ltd-t-a-llve/

Australia National Telephone Number 1300 (694 583) New Zealand Telephone Number 64 3 344 5913
Artusi showroom hours: Tuesday to Friday - 9am-5pm, Saturday - 10am-4pm, Sunday and Monday - closed
* Melbourne showroom hours: Tuesday to Saturday - 10am-4pm

[artusi.com.au](https://www.artusi.com.au)

NSW & ACT (Head Office)
48-50 Moore Street
Leichhardt
F 02 8569 4699

QLD
1/42 Cavendish Road
Coorparoo
F 07 3397 0850

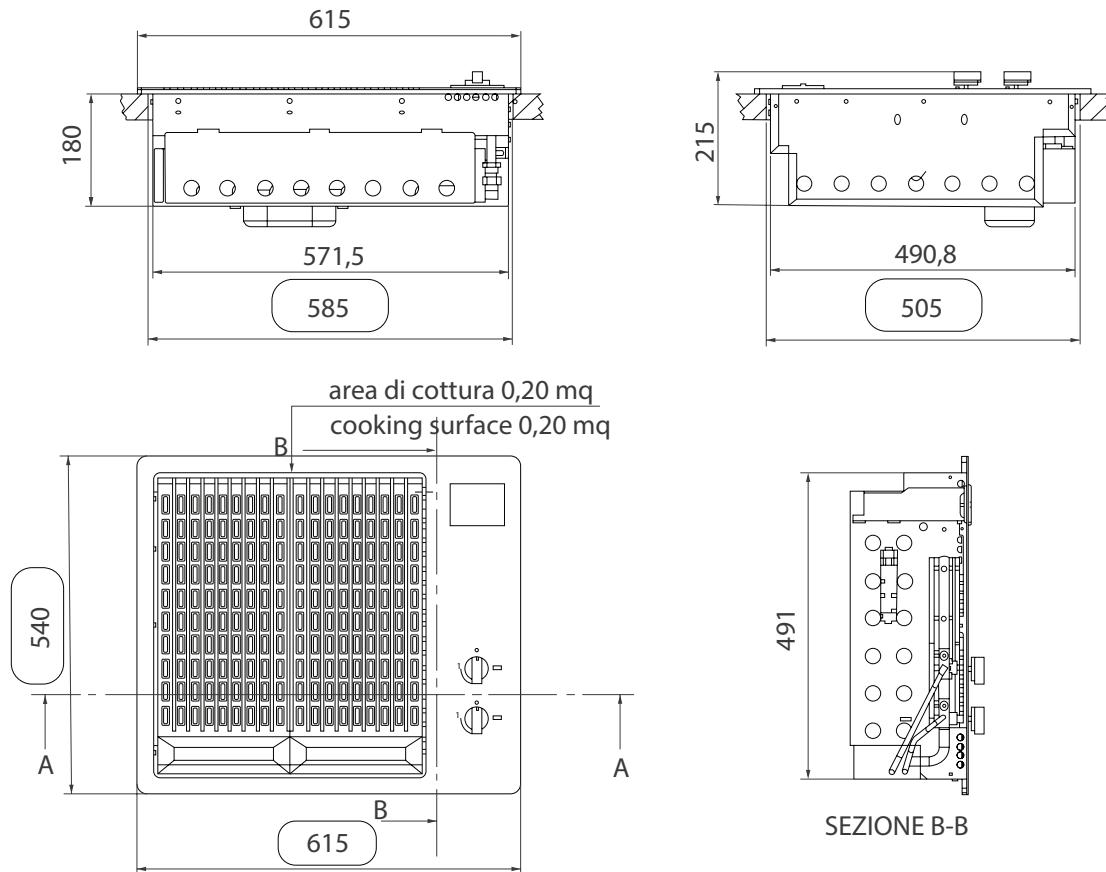
WA & NT
Unit 10/55 Howe Street
Osborne Park
F 08 9201 9188

New Zealand
PO Box 11,160
Sockburn Christchurch
F 03 344 5906

60CM BUILT-IN BARBECUE

MODEL ABBQM3

TECHNICAL DIAGRAM



NB: drawings are not to scale — they are to be used for detailed installation instructions, please refer to user guide.

ABBQM3: EAN 9347777003935

ABBQMH3: EAN 9347777003959

ABBQMF3: EAN 9347777004635

AR28022022 PAGE 2 OF 3

ABBQM3 Stainless Steel Built-in BBQ

DISCLAIMER

Eurolinx PTY LTD, is continually seeking ways to improve the design specifications, aesthetics and production techniques of its products. As a result alterations to our products and designs take place continually. Whilst every effort is made to produce information and literature that is up to date, this brochure should not be regarded as an infallible guide to the current specifications, nor does it constitute an offer for the sale of any particular product. Product dimensions indicated in our literature is indicative only. Actual product only should be used to define dimension cut outs. Distributors, and retailers are not agents of Eurolinx and are not authorized to bind Eurolinx by any express or implied undertaking or representation.

FOLLOW US ON:  [instagram.com/artusi_appliances](https://www.instagram.com/artusi_appliances)

 www.linkedin.com/company/eurolinx-pty-ltd-t-a-lve/

Australia National Telephone Number 1300 (694 583) New Zealand Telephone Number 64 3 344 5913
Artusi showroom hours: Tuesday to Friday - 9am-5pm, Saturday - 10am-4pm, Sunday and Monday - closed
* Melbourne showroom hours: Tuesday to Saturday - 10am-4pm

[artusi.com.au](https://www.artusi.com.au)

NSW & ACT (Head Office)
48-50 Moore Street
Leichhardt
F 02 8569 4699

QLD
1/42 Cavendish Road
Coorparoo
F 07 3397 0850

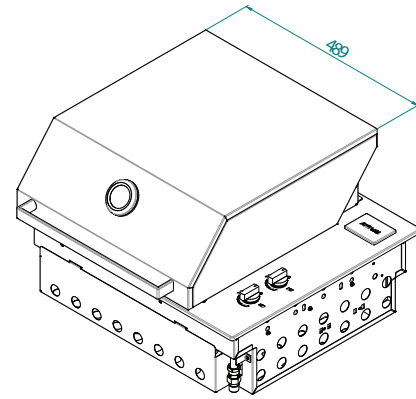
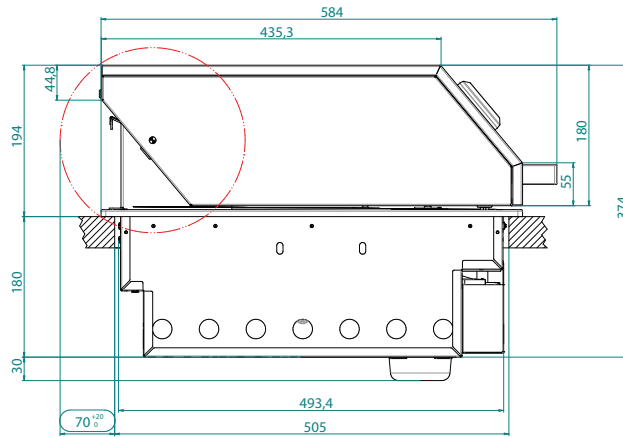
WA & NT
Unit 10/55 Howe Street
Osborne Park
F 08 9201 9188

New Zealand
PO Box 11,160
Sockburn Christchurch
F 03 344 5906

MODEL ABBQM3

TECHNICAL DIAGRAM

ABBQMH3 Dimensions



ABBQMF3 Dimensions

NB: drawings are not to scale — they are to be used for detailed installation instructions, please refer to user guide.

ABBQM3: EAN 9347777003935

ABBQMH3: EAN 9347777003959

ABBQMF3: EAN 9347777004635

AR28022022 PAGE 3 OF 3

ABBQM3 Stainless Steel Built-in BBQ

DISCLAIMER

Eurolinx PTY LTD, is continually seeking ways to improve the design specifications, aesthetics and production techniques of its products. As a result alterations to our products and designs take place continually. Whilst every effort is made to produce information and literature that is up to date, this brochure should not be regarded as an infallible guide to the current specifications, nor does it constitute an offer for the sale of any particular product. Product dimensions indicated in our literature is indicative only. Actual product only should be used to define dimension cut outs. Distributors, and retailers are not agents of Eurolinx and are not authorized to bind Eurolinx by any express or implied undertaking or representation.

FOLLOW US ON:  [instagram.com/artusi_appliances](https://www.instagram.com/artusi_appliances)

 www.linkedin.com/company/eurolinx-pty-ltd-t-a-llve/

Australia National Telephone Number 1300 (694 583) New Zealand Telephone Number 64 3 344 5913
Artusi showroom hours: Tuesday to Friday - 9am-5pm, Saturday - 10am-4pm, Sunday and Monday - closed
* Melbourne showroom hours: Tuesday to Saturday - 10am-4pm

[artusi.com.au](https://www.artusi.com.au)

NSW & ACT (Head Office)
48-50 Moore Street
Leichhardt
F 02 8569 4699

QLD
1/42 Cavendish Road
Coorparoo
F 07 3397 0850

WA & NT
Unit 10/55 Howe Street
Osborne Park
F 08 9201 9188

New Zealand
PO Box 11,160
Sockburn Christchurch
F 03 344 5906