

Masport®

OUTDOOR BBQ

ORIGIN DELUXE

Part Number

553225 (Aus)

553226 (N-Z)

BBQ Dimensions:

Width 1600mm

Depth 670mm

Height 1200mm

Month and Year of Manufacture: July 2021



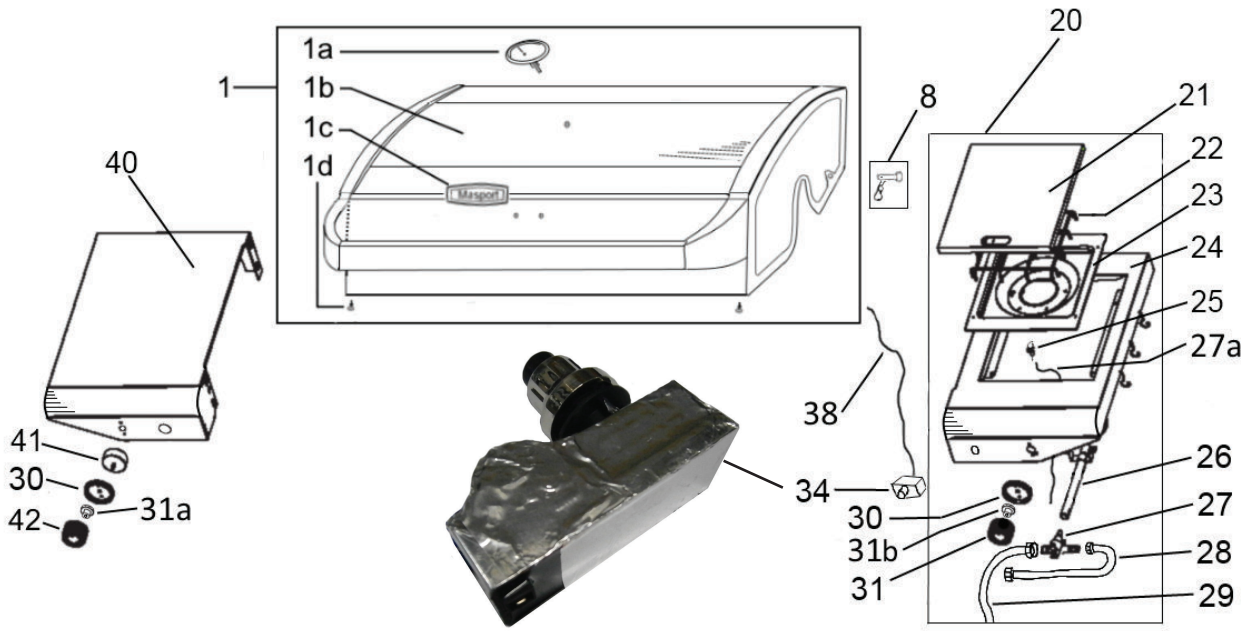
Issue A.0
May 2021 PB
ECN # 12800
IPL Ref # 753225



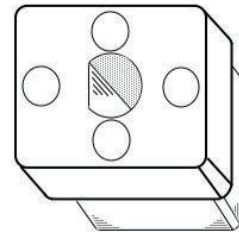
553225 & 553226
BBQ - ORIGIN DELUXE

Masport®

Issue A.0
May 2021 PB
ECN # 12800
IPL Ref # 753225



Item	Part No	Description	Qty	Item	Part No	Description	Qty
1	546914	Hood Assy Full-Window, 2021 SS/SS	1	31a	559778	Insert- Knob, 6.3mm	1
1a	546925	*Temperature Gauge, 2021	1	31b	548705	Insert- Knob, 8.0mm	1
1b	546924	*Glass- Window, Hood 2021	1				
1c	549767	*Badge- MASPORT BBQ 17 Large	1				
1d	547664	*Rubber Stopper, 15dia x 6mm	2				
8	559638	Pin- Hinge & "R" Clip	2				
20	548879	Table-Side, RH Assy MK2 Wok SS	1				
21	559238	*Lid- S/B, 280x346	SS 1				
22	548869	*Trivet- WOK Burner	1				
23	559360	*Insert- Side Burner	1				
24	547233	*Table- Side, RH (S/B+RBM)HN	SS 1				
25	559290	*Electrode- Ignition,	S/B 1				
26	559237	*Burner-Side	1				
27	9152765	*Valve-Side, WOK, 0.92 8mm I/IGN	1				
27a	547099	*Wire- Ignition, Side Burner	1				
28	559791	*Hose-Side Burner, 500mm	1				
29	559332	*Regulator & Hose POL (Aus)	1				
29	9154655	*Regulator & Hose QCC (N-Z)	1				
30	559339	*Bezel- Control Knob	1				
31	548703	*Knob-BBQ, 8.0 S/Grip Zinc	1				
31a	548705	**Insert- Knob, 8.0mm	1				
33	547115	*Jet- Side Burner 0.92	1				
34	547105	Module- Ignition, RB	1				
38	548000	Wire- Ignition, R/B, 1255mm	1				
40	548724	Table- Side, LH (Timer) USB	SS 1				
41	559342	Timer- Unit Only	1				
30	559339	Bezel- Control Knob	1				
31	559341	Knob- BBQ, 6.3mm S/Grip Zinc	1				
31a	559778	*Insert- Knob, 6.3mm	1				
		LH Table- USB is shown on page 4					



Spares Note

Insert 548705 can be used in knobs 548701
Correct rotation is important prior to the assembly.

Spares Note 2

547650 Bush- Aligning,S/Table is only required when a RH Table that has an Ele' Module option and when that Ele' Module is only for the Rear Burner, is being replaced. (Reduces the hole dia by 2mm)



Not Illustrated

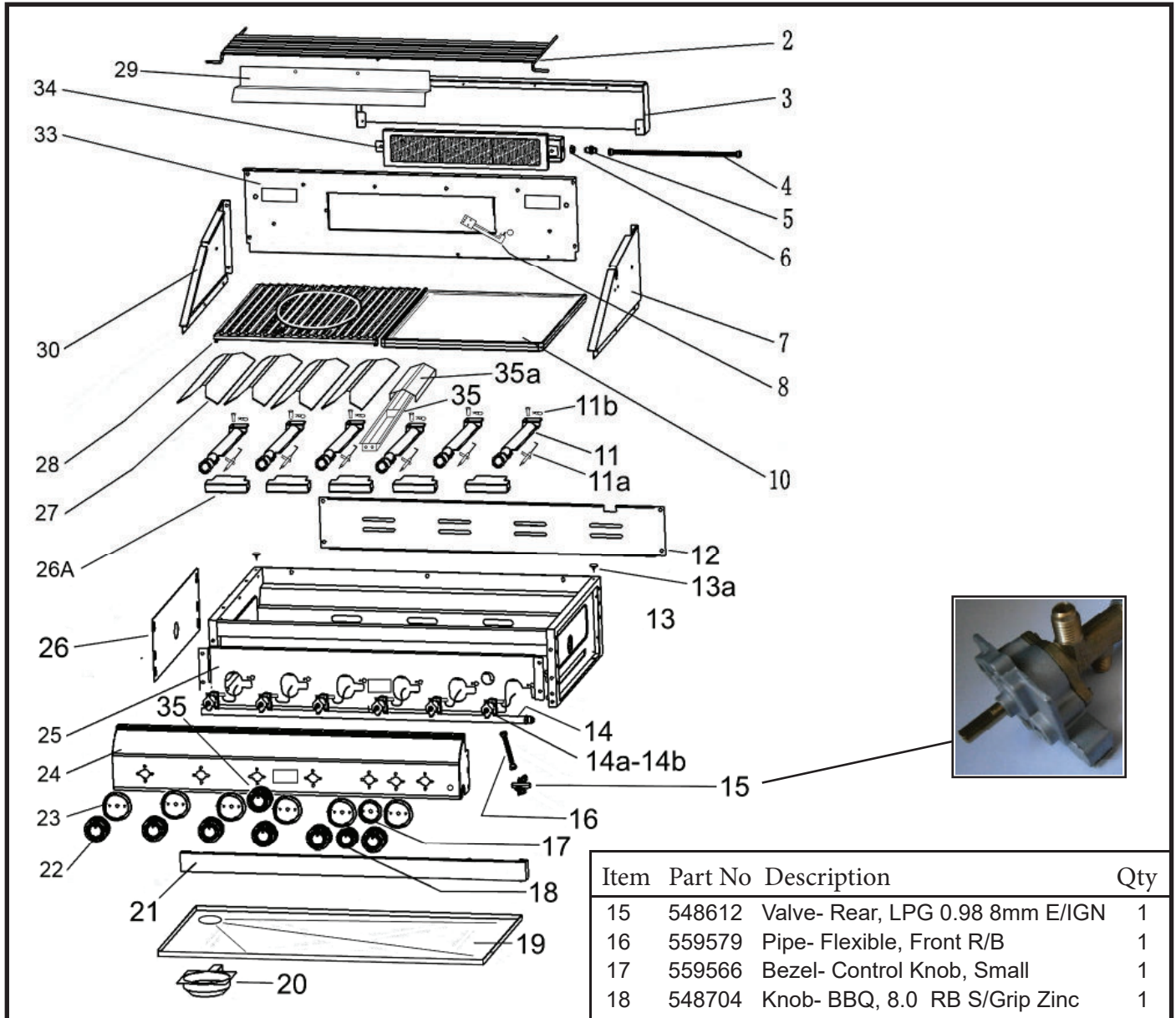
558782	BBQ Cookery Book	1
559496	Bolt Pack- S/S	1
559745	BBQ Cover- Home Design UV	1
546948	Owner Manual	1
559779	Seal- Valve, Silicon	1



553225 & 553226
BBQ - ORIGIN DELUXE

Masport®

Issue A.0
May 2021 PB
ECN # 12800
IPL Ref # 753225



Item	Part No	Description	Qty
2	559564	Rack- Warming, RB	1
3	559581	Panel- Rear Cover, RB	SS 1
4	559573	Pipe- Flexible, RB	1
5	549761	Jet, RB 0.98mm	1
6	559575	Nut- Jet Retainer, RB	1
7	546922	Panel- Side, RH G/Bdy	SS 1
8	549835	Ignitor- RB	1
10	547140	Plate- P/E Gloss FAD 395x485	1
11	759345	Burner- Tube (two pack)	3
11a	559289	Electrode- Ignition, Main Burner	6
11b	559015	Pin & Clip (Burner), 4.8dia x 10	6
12	559582	Panel- Rear, Vented	SS 1
13	548787	Grill-Body, Smkr 6B+RB	PE 1
13a	558826	Rubber Stopper- 9 dia x 3	2
14	548865	Manifold- Assy(INT) MK2 6+ RB	1
14a	548611	*Valve- Main,LPG 0.92 8mm I/IGN	6
14b	549763	*Jet, 6B Main 0.92 8mm dia LPG	6

Item	Part No	Description	Qty
15	548612	Valve- Rear, LPG 0.98 8mm E/IGN	1
16	559579	Pipe- Flexible, Front R/B	1
17	559566	Bezel- Control Knob, Small	1
18	548704	Knob- BBQ, 8.0 RB S/Grip Zinc	1
19	547239	Tray- Drip, 795 x 435 SS FAD 210	1
20	559242	Cup- Grease	1
21	559336	Panel- Front, Grill	SS 1
22	548703	Knob- BBQ, 8.0 S/Grip Zinc	6
23	559339	Bezel- Control Knob	6
24	546928	Dashboard- BBQ Origin Deluxe	1
25	548783	Panel- H/Shield, Frnt(Smoke)6B+RB	1
26	559353	Panel- Heatshield, Side	ZP 1
26a	559583	Cross Light - 6 Burner	SS 5
27	548641	Flame Tamer, 100 x 410 6B	SS 4
28	547137	Interchangeable Cooking System (Refer to page 7 for contents)	1
29	559570	Deflector- Front, R/B	SS 1
30	546921	Panel- Side, LH (25mm) G/Bdy	SS 1
33	546923	Panel- Rear, RB+Light	SS-G/BDY 1
34	559508	Burner- Rear	1
35	548679	Smoker Drawer (with Handle)	1
35a	549766	Lid- Smoker Box	1

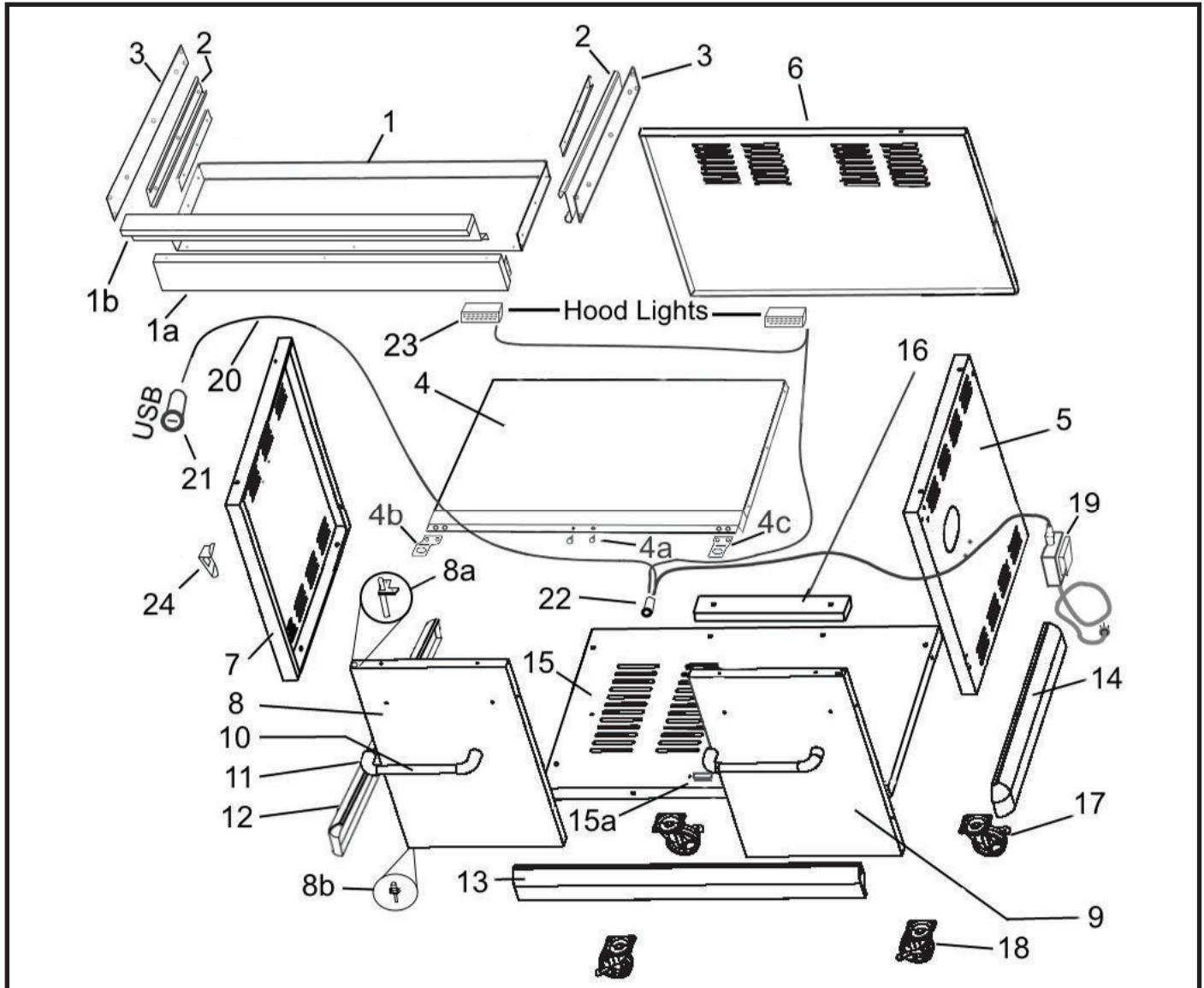
When ordering spares: PLEASE QUOTE PART NUMBER & DESCRIPTION, NOT illustrated number. Item Qty = 1 per part unless stated differently.
BOLD TEXT = Assemblies. Descriptions starting with * = items included in the assemblies & may not be available as a spares item.
 Determine the left or right hand sides by standing in the operating position (standing at the handle).



553225 & 553226
BBQ - ORIGIN DELUXE

Masport®

Issue A.0
May 2021 PB
ECN # 12800
IPL Ref # 753225



Item	Part No	Description	Qty	Item	Part No	Description	Qty
1	548600	Drawer	SS 1	12	559321	Apron- LH	SS 1
1a	549787	Drawer- Fascia Panel	SS 1	13	559320	Apron- Front,	SS 1
1b	548603	Drawer- Handle	SS 1	14	559322	Apron- RH,	SS 1
2	548631	Slider- Drawer	SS 2	15	559324	Panel- Bottom, Trolley	SS 1
3	548632	Bracket- Slider	SS 2	15a	548239	*Magnet- Door	2
4	549777	Panel- Top, Trolley	SS 1	16	559571	Weight- Bottom Panel	1
4a	547664	Rubber Stopper, 15dia	2	17	559225	Castor- Locking, Plate Mount	2
4b	5211830	Bracket- Left Door	1	18	559225	Castor- Locking, Plate Mount	2
4c	5211832	Bracket- Right Door	1	19	548637	Transformer- USB	1
5	548623	Panel- Side, RH Trolley	SS 1	20	548718	Harness Only, Light Hood & USB	1
6	548624	Panel- Back,	SS 1	21	548636	USB Port	1
7	548622	Panel- Side, LH	SS 1	22	548634	Switch- LED Lights	1
8	548615	Door Assy LH	SS 1	23	548635	Light- Hood, Halogen	2
8a	547130	*Hinge- Top, Door	1		549828	*Bulb- Hood, Halogen	1
8b	547131	*Hinge- Bottom, Door	1	24	548638	Bottle Opener	1
9	548614	Door Assy RH	SS 1	Not Illustrated			
8a	547130	*Hinge- Top, Door	1	549789	Bolt Pack- S/S BBQ Drawer		1
8b	547131	*Hinge- Bottom, Door	1				
10	559334	Handle- Door, Tube insert	2				
11	559206	Bracket- Handle, Door	4				

When ordering spares: PLEASE QUOTE PART NUMBER & DESCRIPTION, NOT illustrated number. Item Qty = 1 per part unless stated differently.
BOLD TEXT = Assemblies. Descriptions starting with * = items included in the assemblies & may not be available as a spares item.
 Determine the left or right hand sides by standing in the operating position (standing at the handle).



553225 & 553226
BBQ - ORIGIN DELUXE

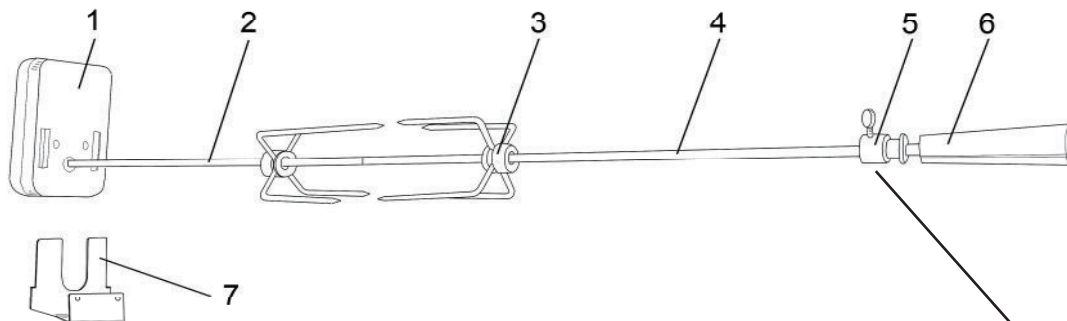


Issue A.0
May 2021 PB
ECN # 12800
IPL Ref # 753225

Data Plate 546943.b.0

Name	Model	IAPMO Approval	Injector (mm)	Pressure (kPa)	Inp/Burn (MJ/h)	Total (MJ/h)
BBQ MASP ORIGIN	BG6286BE-WS	GMK10178	ULPG: BBQ 0.93 S/B 0.92	2.75	6 x 11.70 1 x 10.99	81.19
			NG: BBQ 1.38 S/B 1.62	1.00	6 x 9.60 1 x 12.80	70.4
BBQ MASP ORIGIN PLUS	BG6286BS-WS-RRB	GMK10178	ULPG: BBQ 0.93 S/B 0.92 R/B 0.98	2.75	6 x 11.70 1 x 10.99 1 x 12.70	93.89
			NG: BBQ 1.38 S/B 1.62 R/B 1.68	1.00	6 x 9.60 1 x 12.80 1 x 12.70	83.10
BBQ MASP ORIGIN DELUXE	BG6286BS-WS-RRB	GMK10178	ULPG: BBQ 0.93 S/B 0.92 R/B 0.98	2.75	6 x 11.70 1 x 10.99 1 x 12.70	93.89
			NG: BBQ 1.38 S/B 1.62 R/B 1.68	1.00	6 x 9.60 1 x 12.80 1 x 12.70	83.10
BBQ MASP ELITE	BG6284BE-WS-RB	GMK10178	ULPG: BBQ 1.10 S/B 0.92 R/B 0.98	2.75	4 x 17.50 1 x 10.99 1 x 12.70	93.69
			NG: BBQ 1.60 S/B 1.62 R/B 1.68	1.00	4 x 13.00 1 x 12.80 1 x 12.70	77.50
BBQ MASP EQUIP 6	BG6286BE-WS	GMK10178	ULPG: BBQ 0.93 S/B 0.92	2.75	6 x 11.70 1 x 10.99	81.19
			NG: BBQ 1.38 S/B 1.62	1.00	6 x 9.60 1 x 12.80	70.4
BBQ MASP SUPREME	BG6286BS-WS-RB	GMK10178	ULPG: BBQ 0.93 S/B 0.92 R/B 0.98	2.75	6 x 11.70 1 x 10.99 1 x 12.70	93.89
			NG: BBQ 1.38 S/B 1.62 R/B 1.68	1.00	6 x 9.60 1 x 12.80 1 x 12.70	83.10
Gas Supply Pressure, ULPG Min: 2.70kPa; Max: 3.45kPa Gas Type: NZ: Universal LPG or NG AUS: ULPG or NG		Gas Supply Pressure, NG: 1.13 kPa Complies to: Standard AS/NZS 5263.1.7				
Minimum Clearance: From Top of BBQ: 1000mm, From Sides: 430mm, From Rear: 430mm						
Distributed by MASPORT LIMITED		Read the instructions before using the appliance USE OUTDOOR ONLY Do not install in, or connect to the consumer piping or gas supply system of a boat or caravan WARNING: Parts of this appliance may be very hot, keep young children away Made in P.R.C.				
MASPORT LIMITED 320 Ti Rakau Drive, East Tamaki, Auckland 2013, New Zealand						
MASPORT AUSTRALIA PTY LIMITED 27 Commercial Drive, Dandenong South, Victoria 3175, Australia						
For storage and cylinder exchange, disconnect hose at the cylinder only, do not disconnect hose from the appliance.						

559218 Rotisserie Set, 4/6 Burner 945mm



- | | | | |
|---|--------|-----------------------------|---|
| 1 | 559239 | Motor- Rotisserie | 1 |
| 2 | 556297 | Prongs (each) | 2 |
| 3 | 559223 | Rod Only-Motor Side(550mm) | 1 |
| 4 | 559224 | Rod Only-Handle Side(400mm) | 1 |
| 5 | 559497 | Alignment Collar & Screw | 1 |
| 6 | 559769 | Handle (6mm thread) | 1 |
| 7 | 559494 | Bracket- Rotisserie | 1 |





553225 & 553226
BBQ - ORIGIN DELUXE



Issue A.0
May 2021 PB
ECN # 12800
IPL Ref # 753225

Optional Extras Continued

547137	Interchangeable Cooking System P/E Gloss	1
555231	*Kebab Rack (each)	2
547136	*Grill, P/E Gloss (390 x 485)	1
559761	*Kebab Skewers 7mm x 400mm	8
559762	*Pizza Stone 290mm	1
547134	*Grill Insert, P/E Gloss Insert dia 290mm	1
547135	*Plate Insert, P/E Gloss Insert dia 290mm	1
547223	*Handle- Grill Insert, P/E Gloss	1



559761	Kebab Skewers (each)	1
555231	Kebab Rack (each)	1

Cooking Grills

559219	Grill- C/I Powder Coated Black 390 x 485	1
559640	Grill- C/I P/Enamel, Matt Black 390 x 485	1
559520	Grill- C/I P/Enamel GlossBlack 390 x 485	1
559765	Grill- C/I P/Enamel , Matt Black390 x 485 (K/Rack)	1
547141	Grill- P/Enamel, Gloss FAD 130 x 485 each (Three are required per set-up) (Kebab Rack ready)	1



Cooking Plates

559220	Plate- C/I Powder Coated Black 390 x 485	1
559641	Plate- C/I P/Enamel, Matt Black 390 x 485	1
559521	Plate- C/I P/Enamel GlossBlack 390 x 485	1



Natural Gas Conversion

548979	KIT- NG 210 6 Burner + RB 2017	1
--------	--------------------------------	---

Packaged Items

759345	Burner- 210 Series	2 Per Pack
759745	Cover- BBQ, Home Design UV Packaged	1 Per Pack
547598	Deluxe S/Steel 18 Piece Pack	1 Per Pack

