



TUCKER
BARBECUES

TUCKER HORIZON BARBECUES

Tucker Horizon 316 marine grade stainless steel barbecue for built in.



Tucker Horizon 316 marine grade stainless steel barbecues for built in.

TUCKER
BARBECUES



Product Details

Tucker Horizon 316 Marine Grade

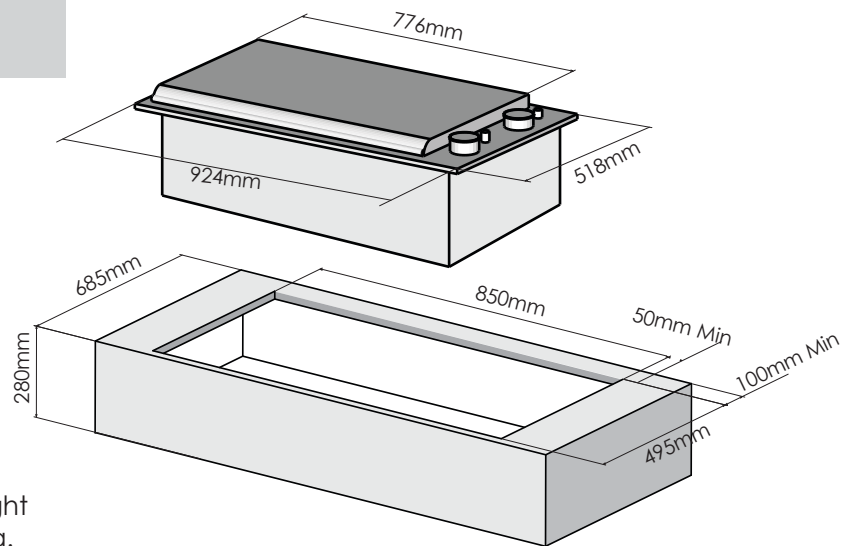
Dimensions

Sizes for cut out in brickwork is as follows:
Width 850mm, Depth 495mm.

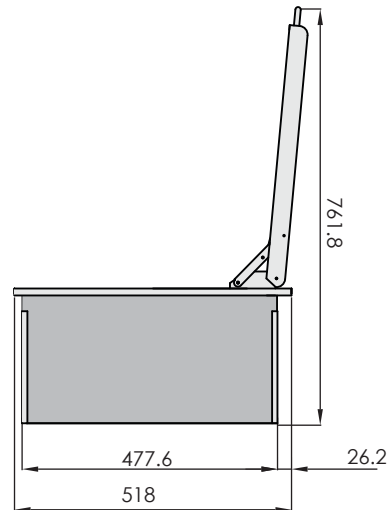
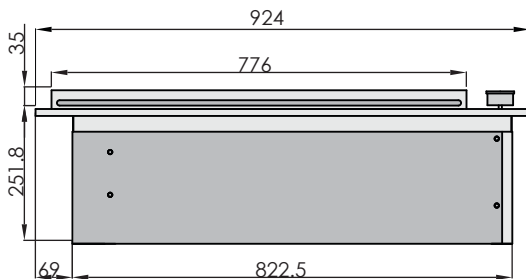
Clearances from combustibles:

Minimum Top Clearance: Allow 800mm
Minimum Side Clearance: Allow 50mm
Minimum Rear Clearance: Allow 100mm

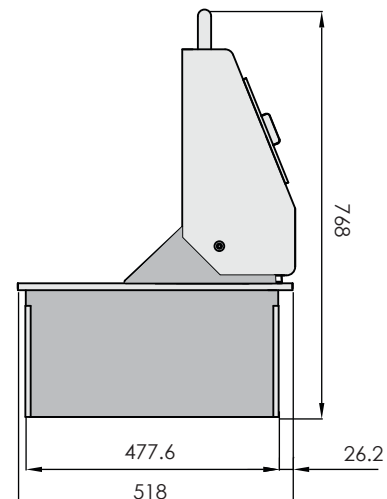
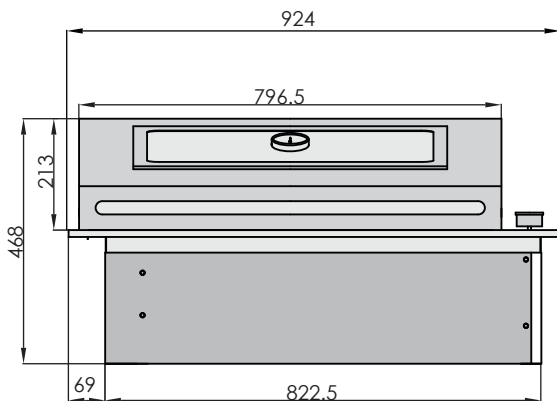
Do not Place Gas cylinder underneath the barbecue, Keep required clearance and ensure there is 'permanent separation', i.e. no line of sight between the gas cylinder and combustions area. if the gas cylinder is enclosed, ensure adequate high and low ventilation (200 square cm each) as required by AS/NZS 5601.1



Tucker Horizon Marine Grade Flat Lid



Tucker Horizon Marine Grade Roasting Hood



TUCKER
BARBECUES



Specification

Product Type

Type Of BBQ	Built In BBQ
Model	Tucker Horizon
Finish	Stainless Steel
Stainless Steel	316 Marine Grade for all exterior surfaces Commercial 304 Grade for all internals

Domestic Warranty Details

Stainless steel body	10 years
Gas manifold	Lifetime
Stainless steel burners	2 years
Cross lighting panel	2 years
Gas control valves	2 years
Heat diffuser	2 years
Grease collection tray	5 years
Ignitions	1 year
All other parts	1 year

Burners

Number Of Burners	2 x Tri Burners
Burner Material	304 Stainless Steel
Port Holes	422 Per Burner
Flare Guard	1 x Solid Stainless Flare Guard

Product Specifications

Laser Etched Graphics
Temperature Gauge
Warming rack with hood
Grease Collection Tray
Top Mounted Ergonomic Controls
Easy Start Ignition

Tucker BBQS are for outdoor use only.

Please Note: Dimensions to be used as a guide only. All Customers MUST refer to the user manual supplied with the product for detailed installation instructions.

Please allow sufficient clearance to combustibles; Please do not block any airways or vents.

Sizes correct at time of printing. Measurements are subject to change. BBQ Factory is not liable for any changes to sizes.

Cooking Surface Configuration

Grill	304 Commercial Grade Solid rod stainless steel Grill 23cm x 63cm
Plate	410 Commercial Grade 5mm Stainless steel Plate 23cm x 63cm
Primary Cooking Area	63cm x 46cm

Gas Consumption

Barbecue Gas Consumption in Mega joules per hour.

Natural Gas 48mj/h 2.4mm injector Pressure 1KPA

Propane Gas 52mj/h 1.5mm injector Pressure 2.75KPA

Type Of Ignition	2 x Piezo Ignition
Gas Type	LPG
Gas Conversion	YES

Options

Tucker 316 Marine grade Slim line Hood
Tucker Natural Gas Kit.
Tucker Heavy Duty weather cover
Tucker Cleaning Tools
Tucker Roast pan and rack

TUCKER
BARBECUES



Product Details

FEATURES

With an exterior surface finished in 316 marine grade stainless steel and an all interior stainless steel surface designed in commercial 304 grade. The Horizon barbecue is an Australian first designed for handling extreme weather conditions and heavy temperature demands.

Upright ergonomic solid stainless steel control knobs allow the Horizon barbecue to integrate seamlessly into bench tops or outdoor kitchens.

Optional low profile hood too accommodate roasting or a discreet flat stainless steel weather cover ensures the continuity of flowing lines for an architectural looking installation. A triple skinned insulated firebox is standard and makes installing easy.

With a solid stainless steel hotplate at the front of the cooking surface, it is a sheer pleasure to operate as heat is deflected away from the user through the rear grill at the back of the barbecue.

Heat distribution is amazingly even as the Horizon has two powerful stainless steel Tri Burners offering a distribution similar to that of up to 6 standard burners, punching out 52 megajules over a surface area of 630 x 450mm. With the clever design of the Tucker Tri Burners, cooking on the Horizon is a luxury with virtually no cold spots. Combine this with over 400 port holes per burner, no other Australian BBQ comes close to clean burning heat distribution that the Horizon offers.

Beneath the open grill, a solid stainless steel flare guard vanquishes flare and channels grease conveniently into a collector positioned on the left of the cooking area. The cooking surfaces and all internals can be easily removed for easy access, a feature that is unique to the Horizon BBQ.

The Horizon BBQ can be adapted to all cooking styles and methods.

