

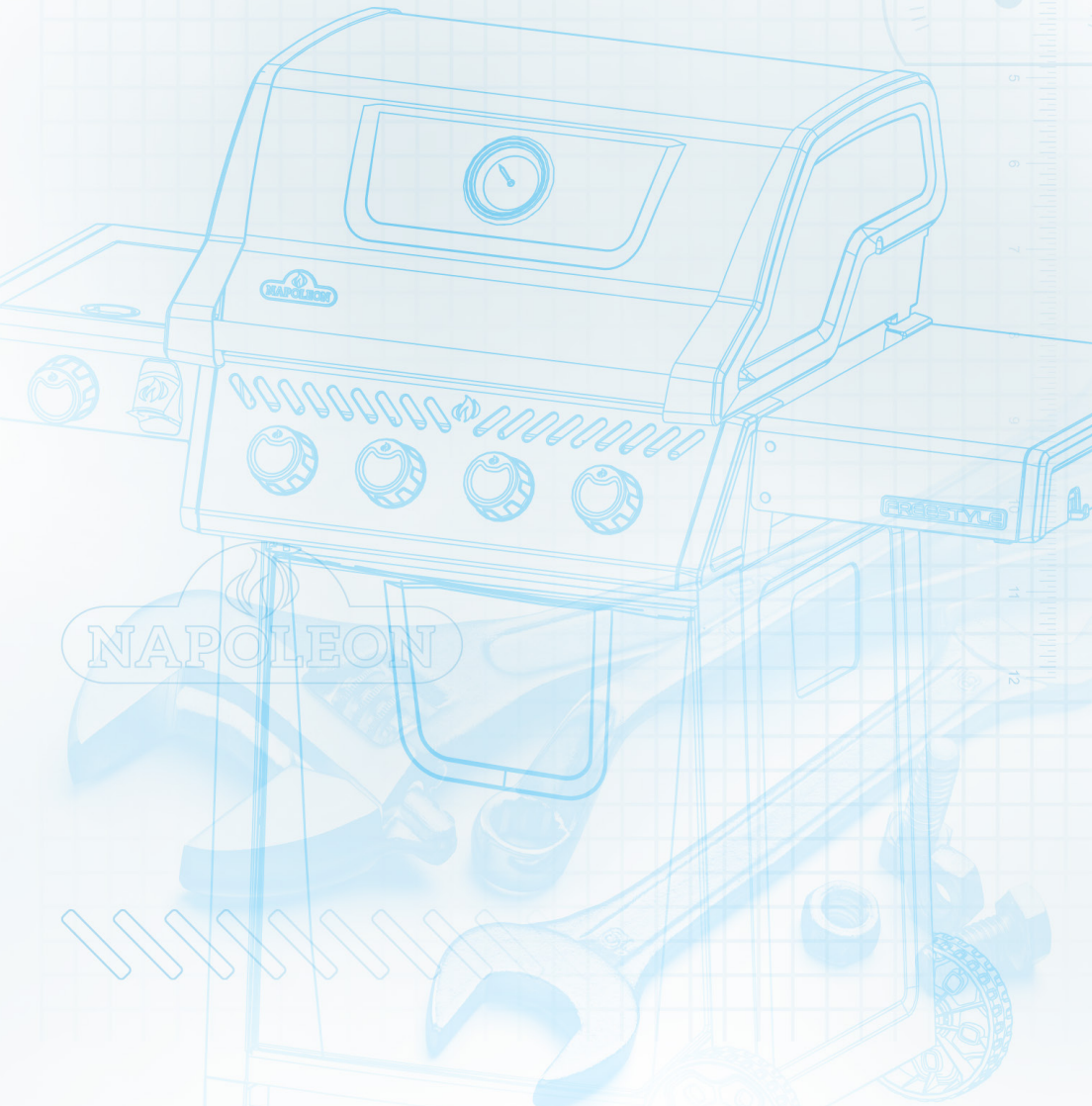


# FREESTYLE<sup>®</sup>

## Assembly Guide

F425D

F365D





# WELCOME TO NAPOLEON!

**Congratulations** on your Napoleon grill! You've just upgraded your grilling game.

## Ready to assemble your new grill?...



There may be visual differences between illustrations and model purchased. Remove all parts from packaging before assembling the barbeque. Set up this assembly on a solid, level and horizontal surface.

### Tools not included.



3/8 1/2  
(10mm) (13mm)

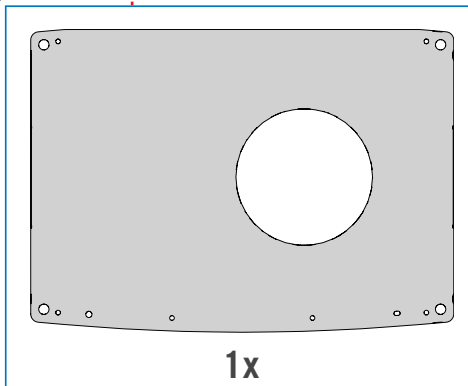
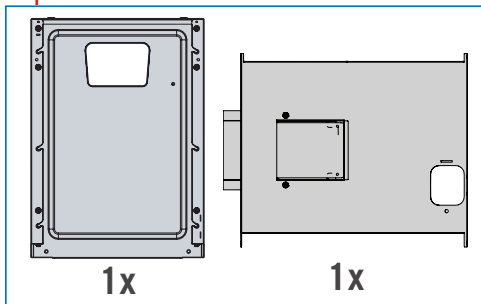
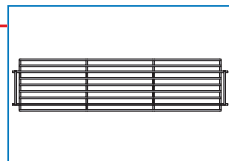
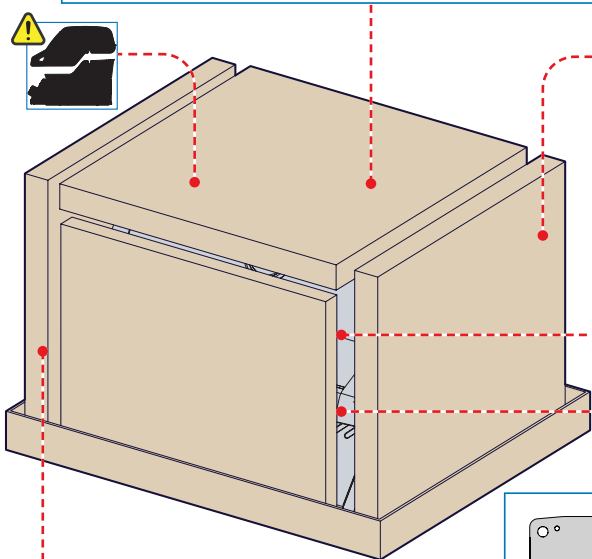
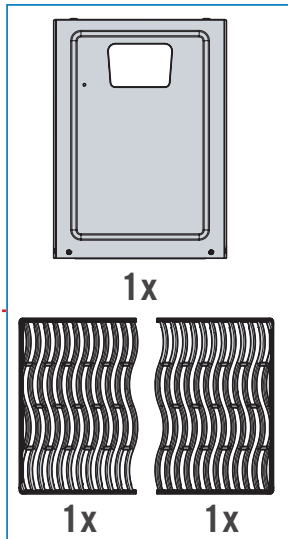
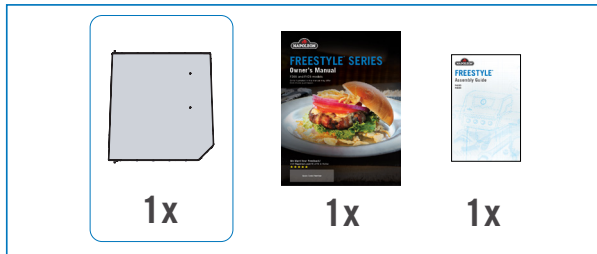
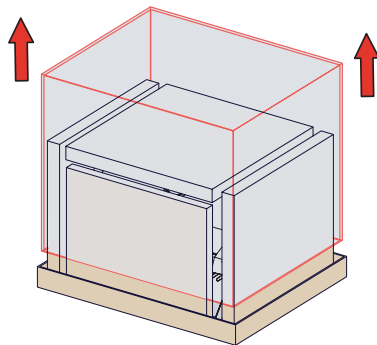


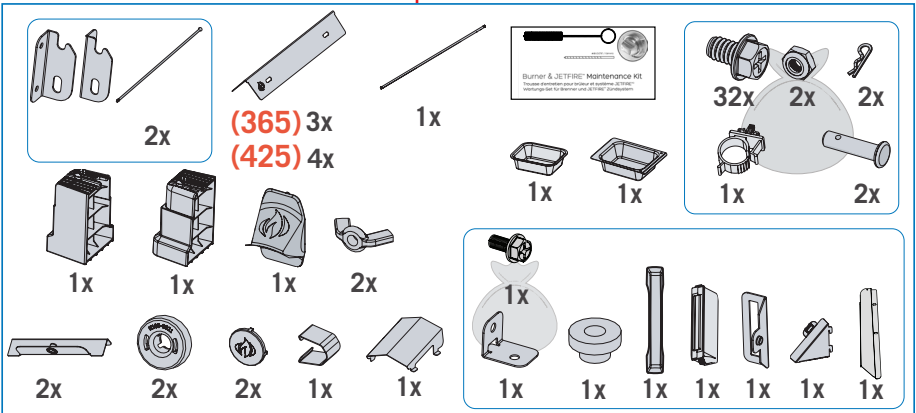
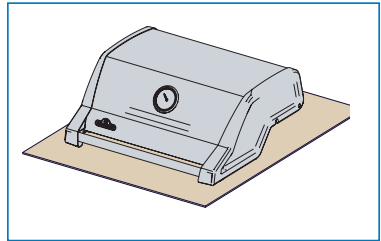
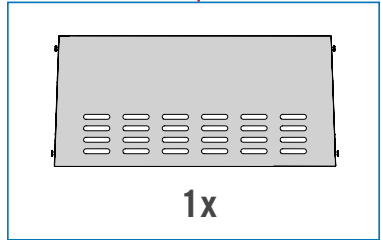
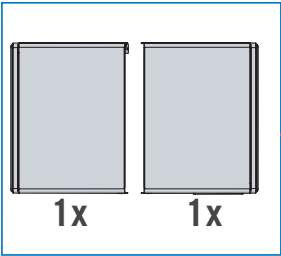
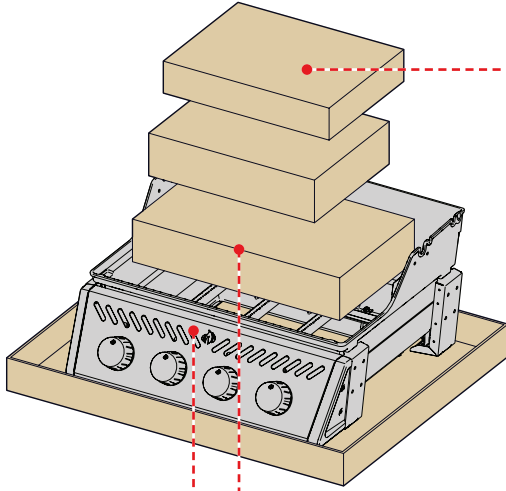
3/8 1/2  
(10mm) (13mm)  
5/8 3/4  
(16mm) (19mm)



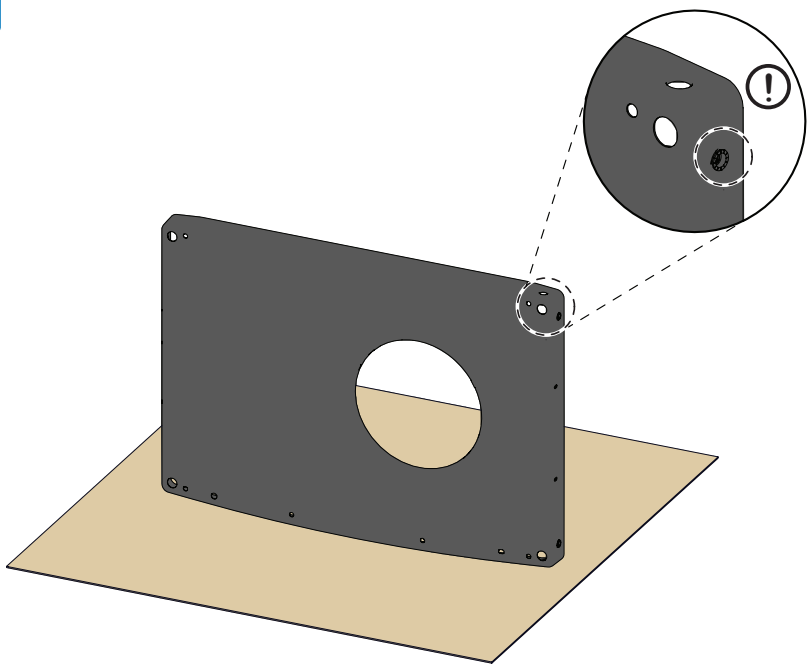
3/8 1/2  
(10mm) (13mm)





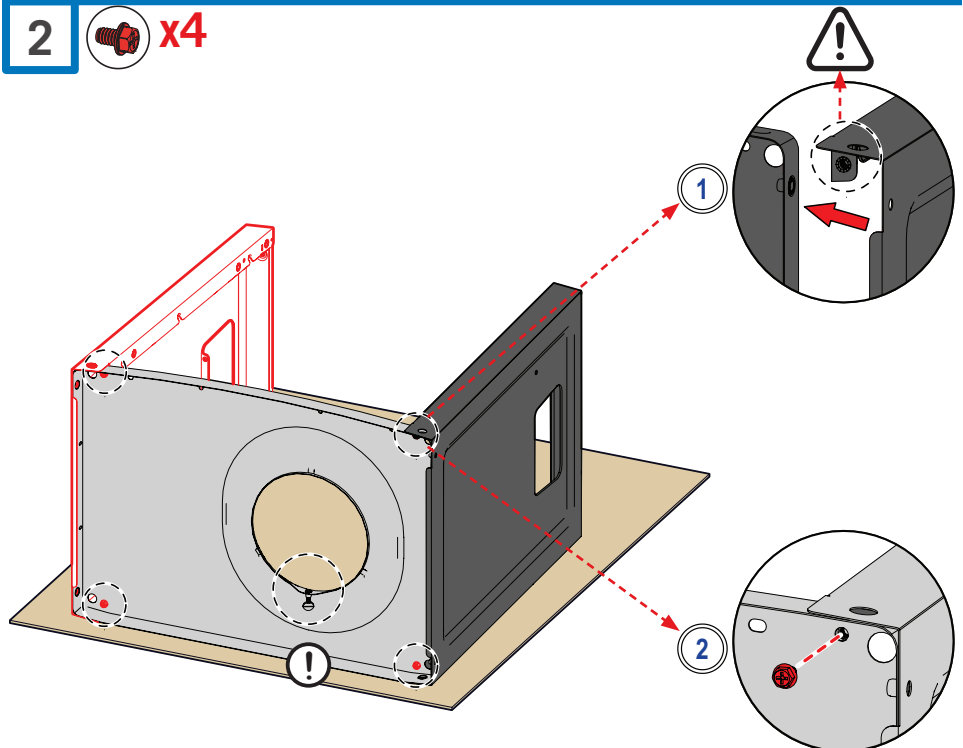


1



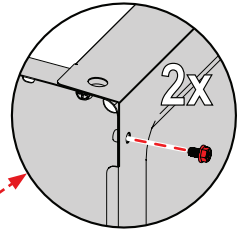
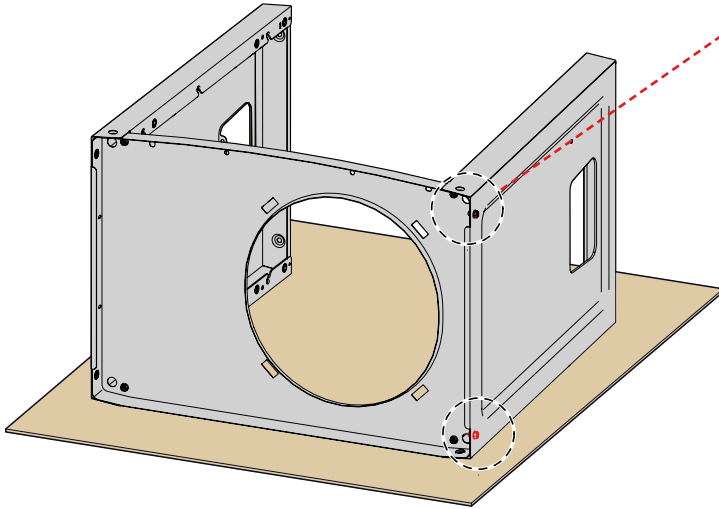
2

x4

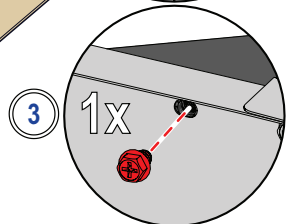
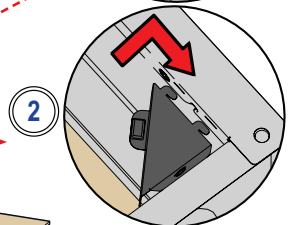
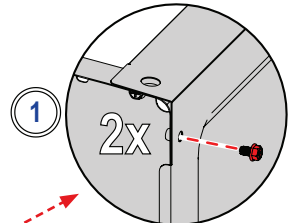
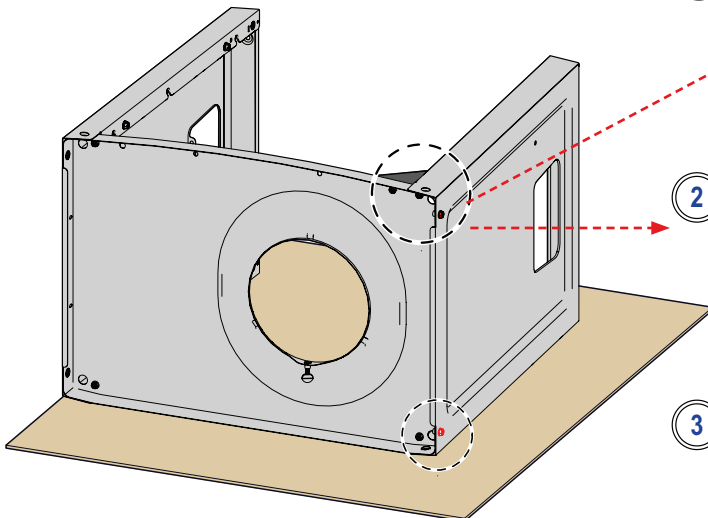


3

 x2



 x3  x1



4



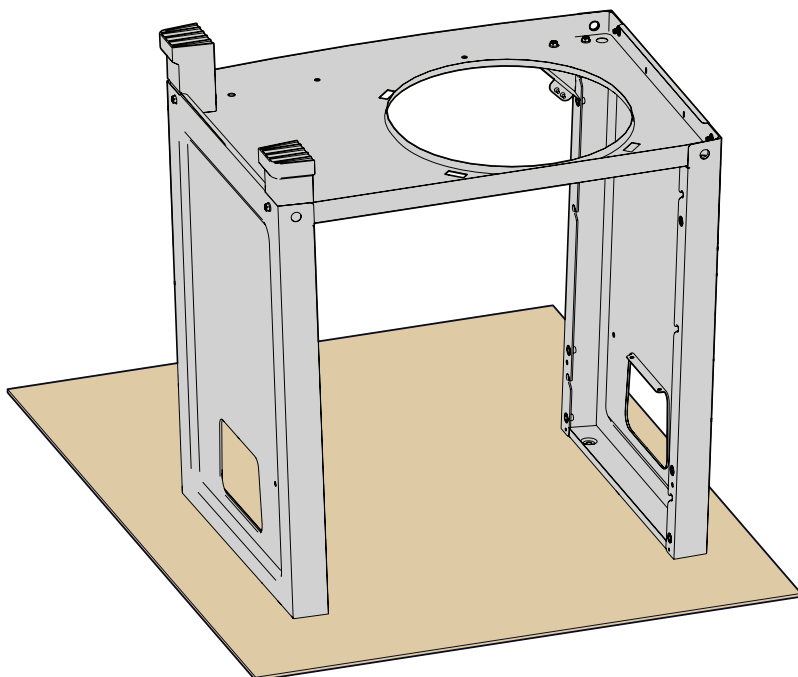
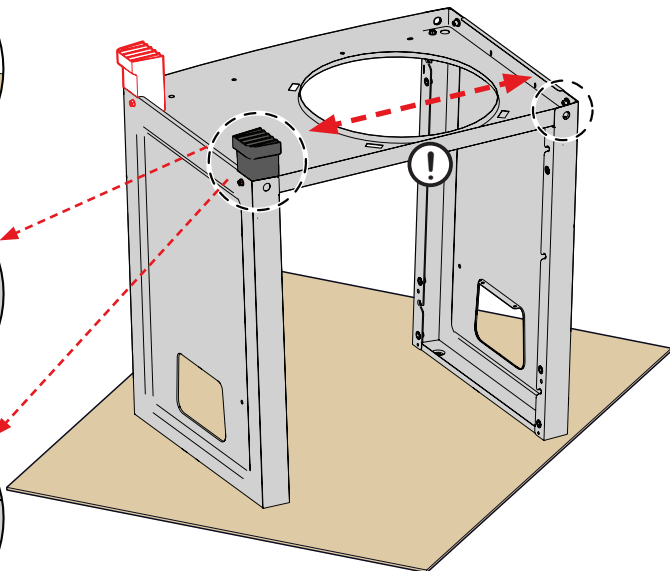
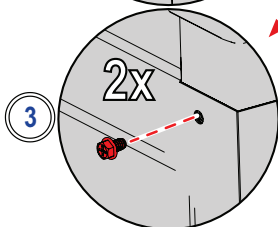
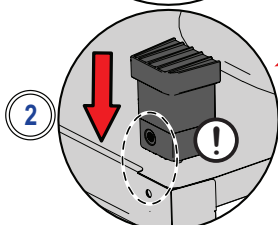
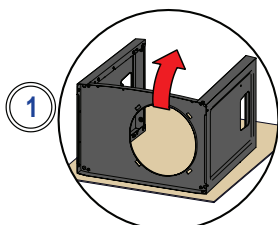
x2



x1



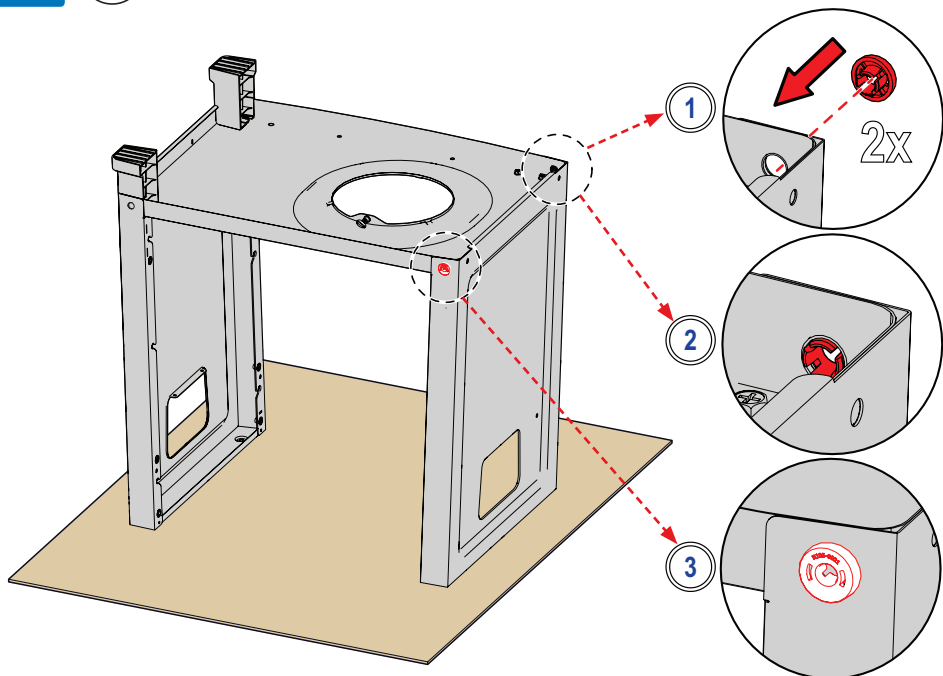
x1





5

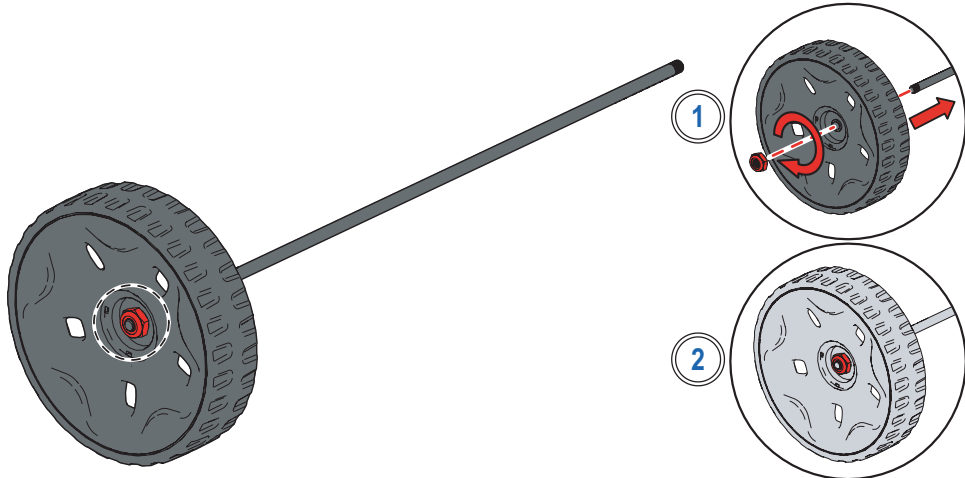
x2



6

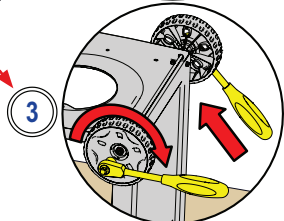
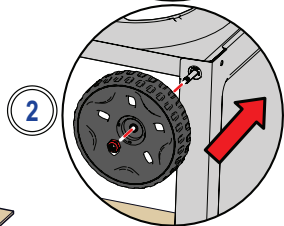
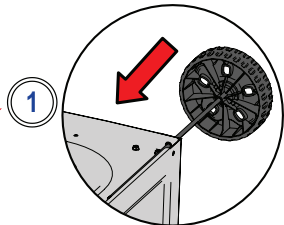
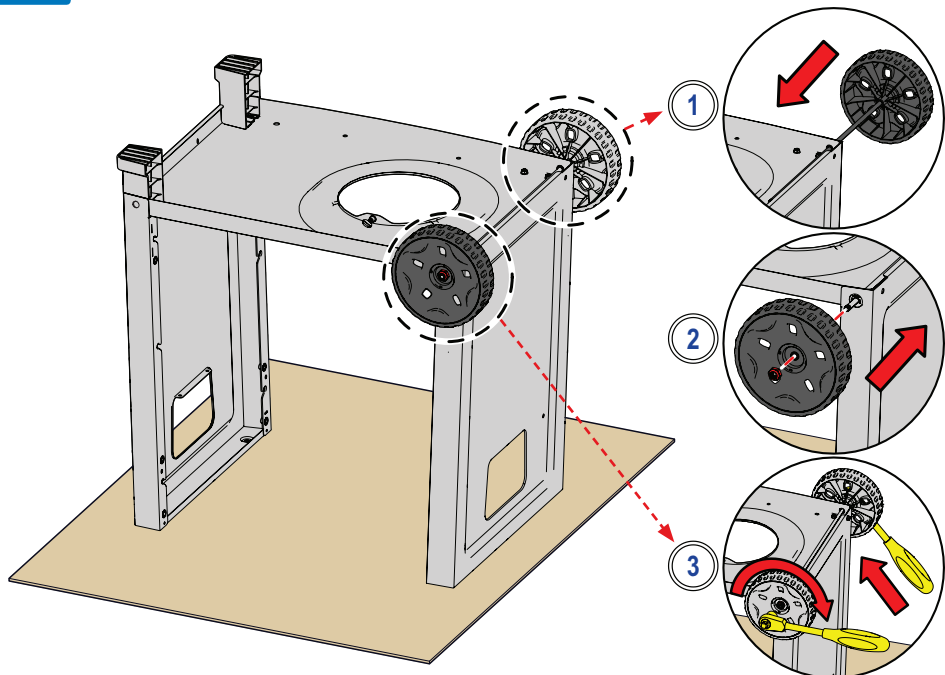
x1

1/2  
(13mm)

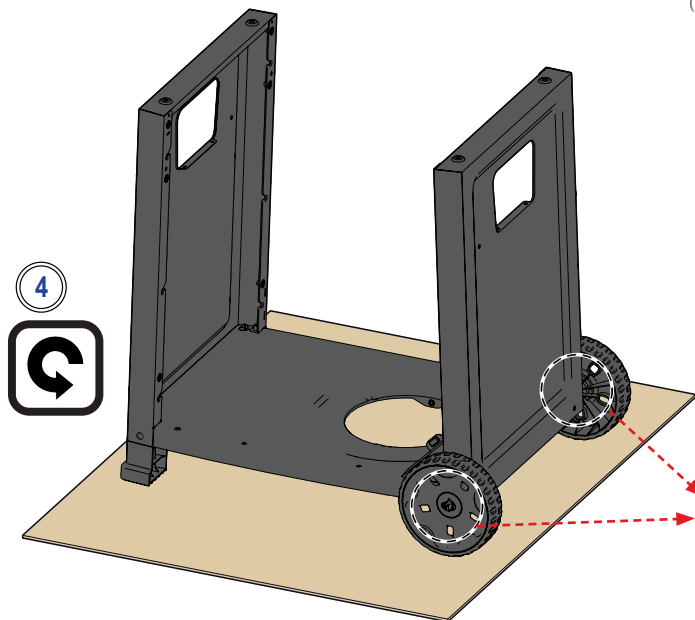


7

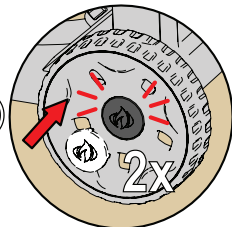
 x1  x2



1/2  
(13mm)

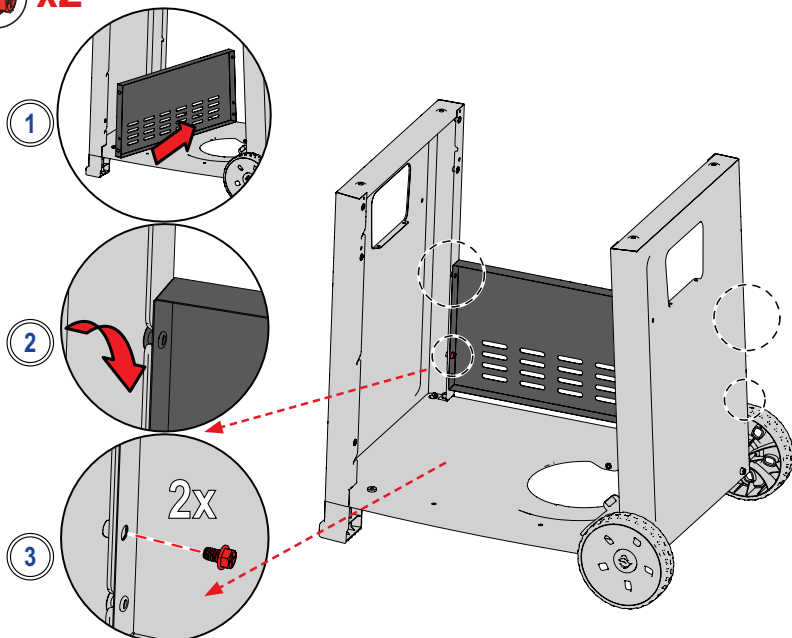


5



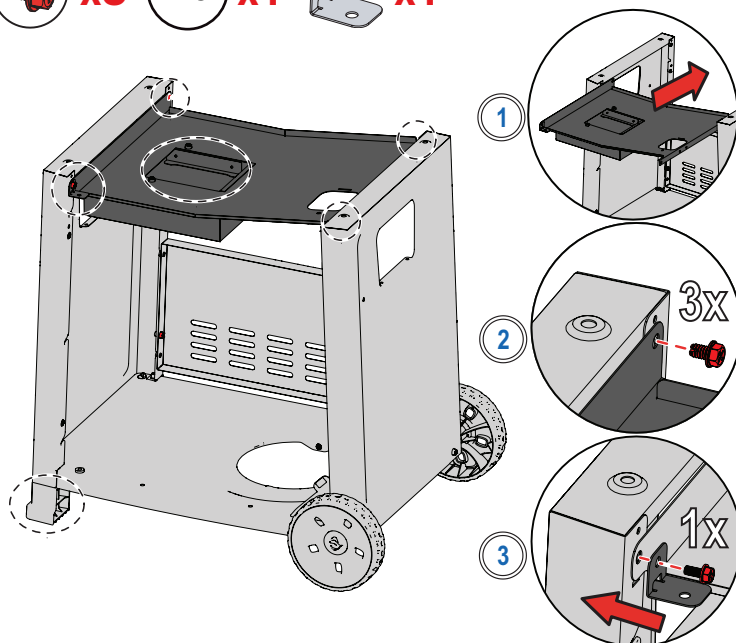
8

x2

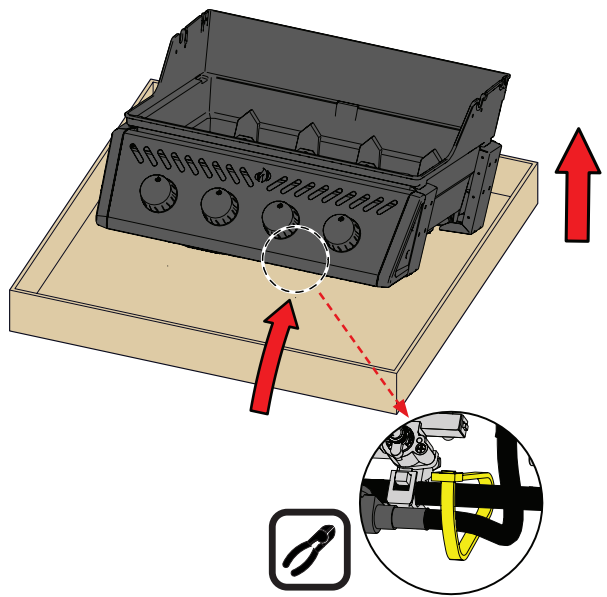


9

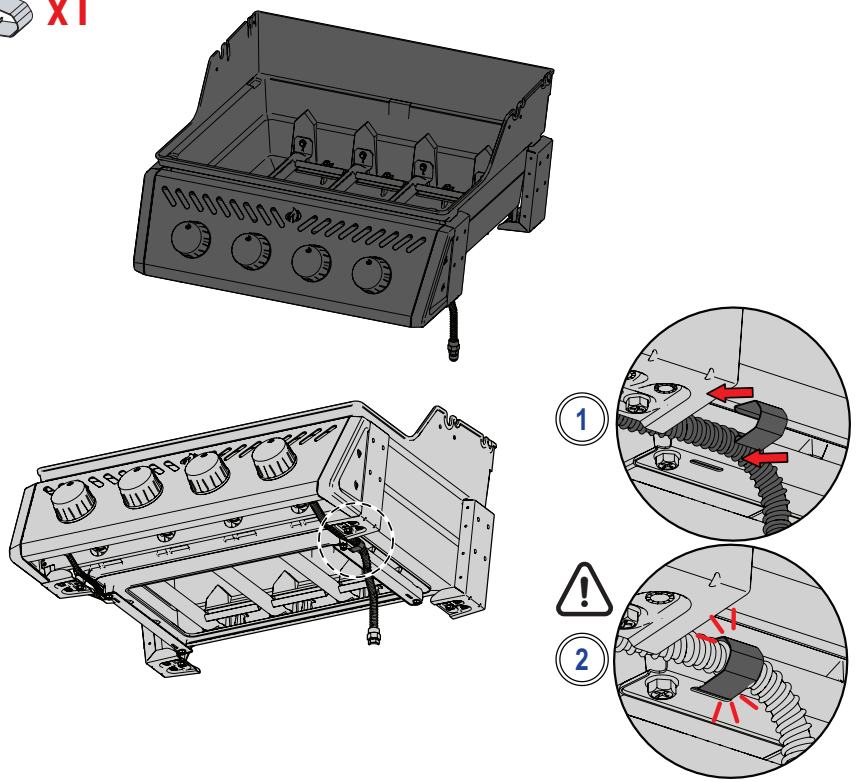
x3 x1 x1



10

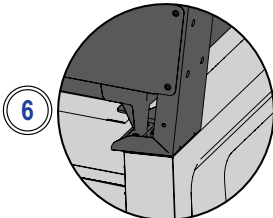
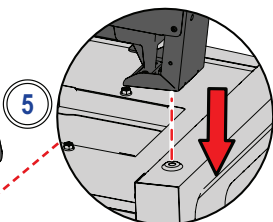
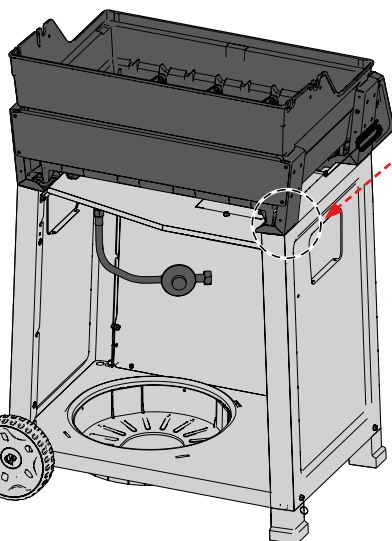
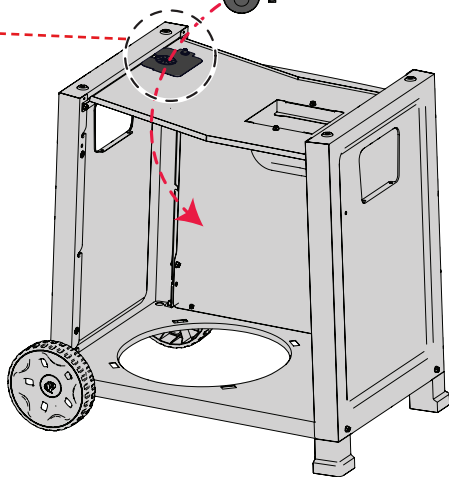
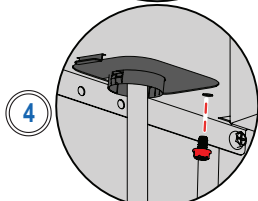
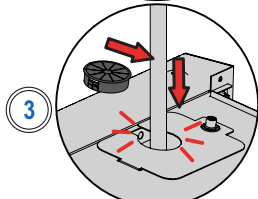
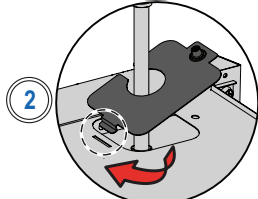
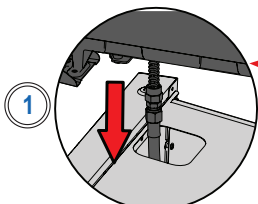
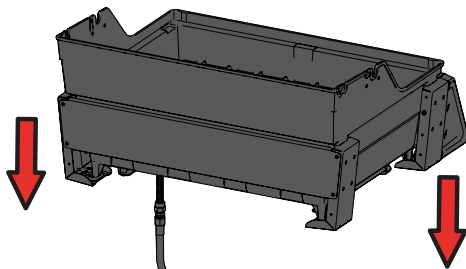


11  x1



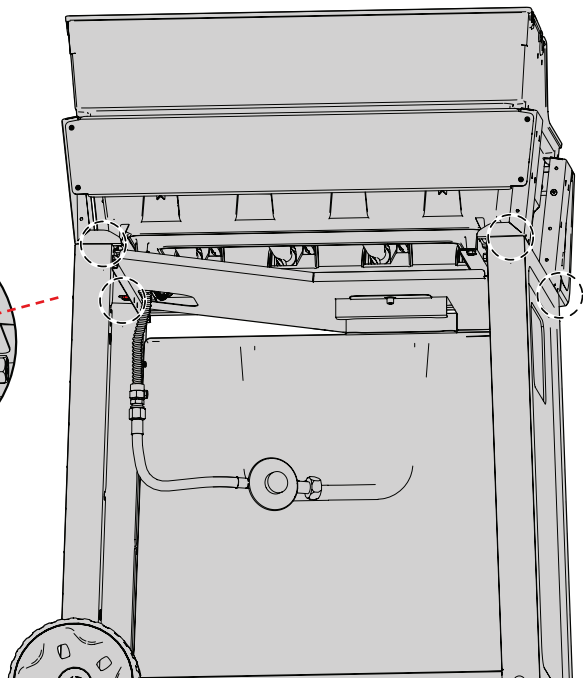
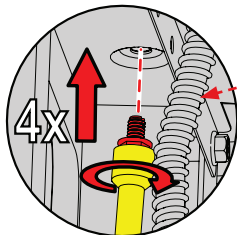
12

 x1  x1



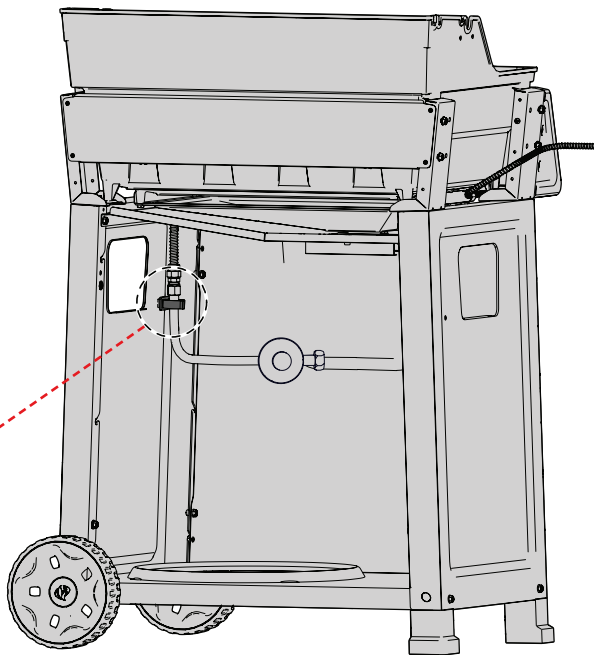
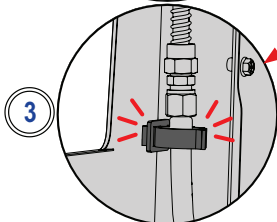
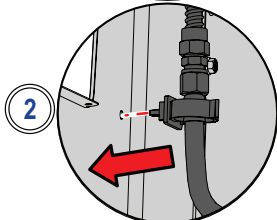
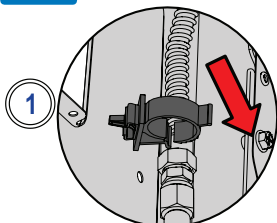
13

x4



14

x1



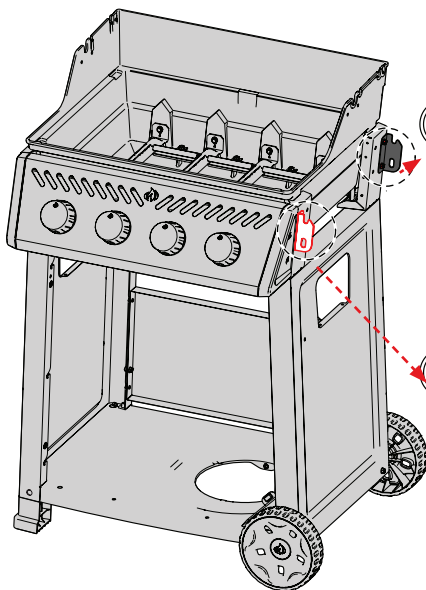
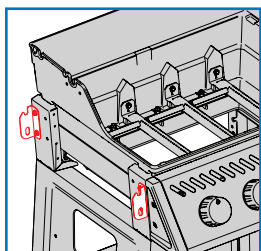
15



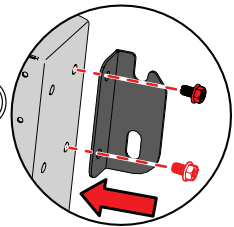
x4



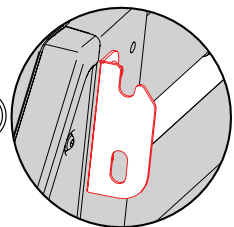
x8



1



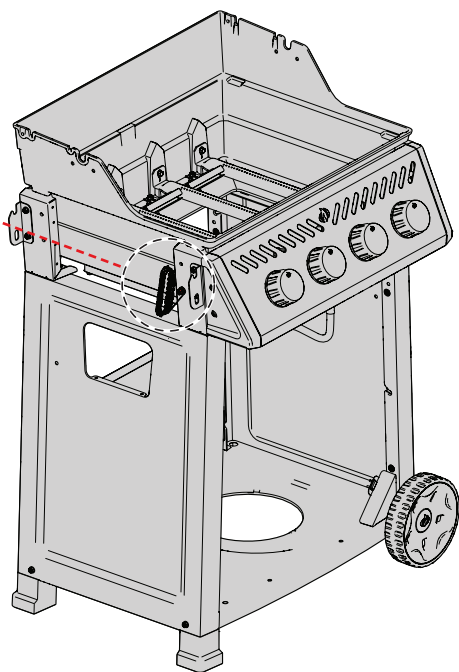
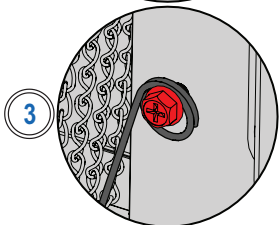
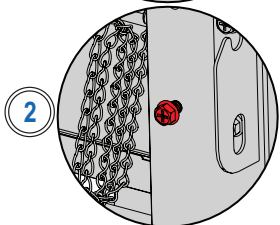
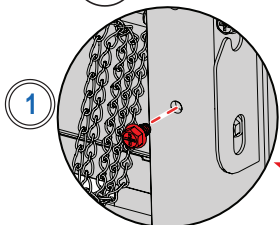
2



16

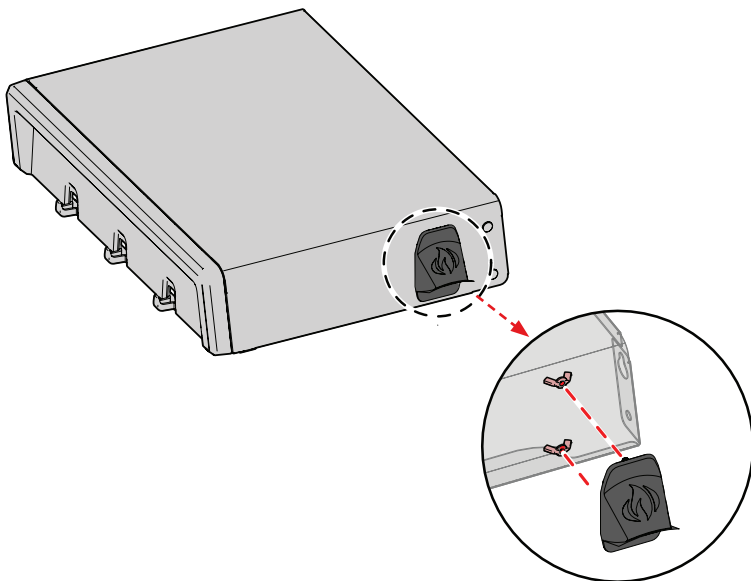


x1

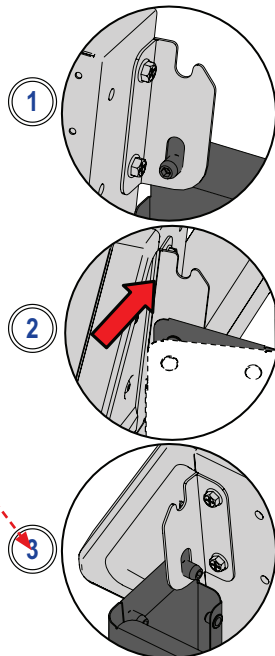
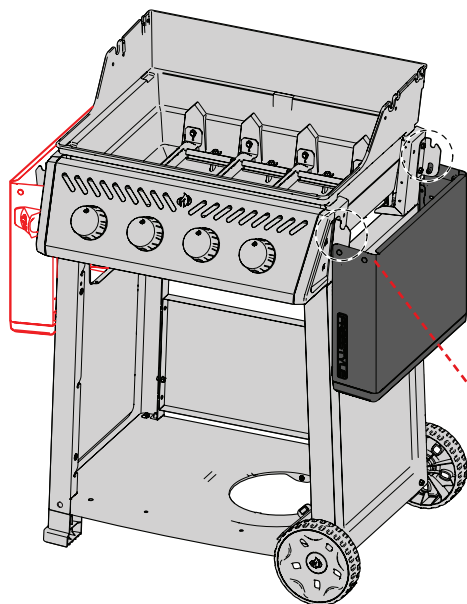


17

x1 x2

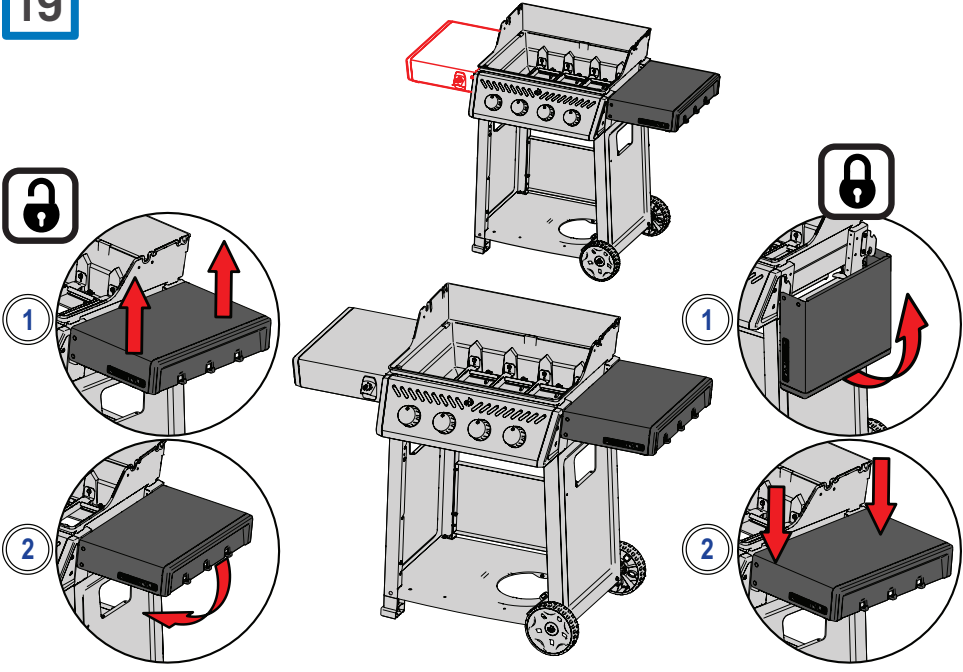


18

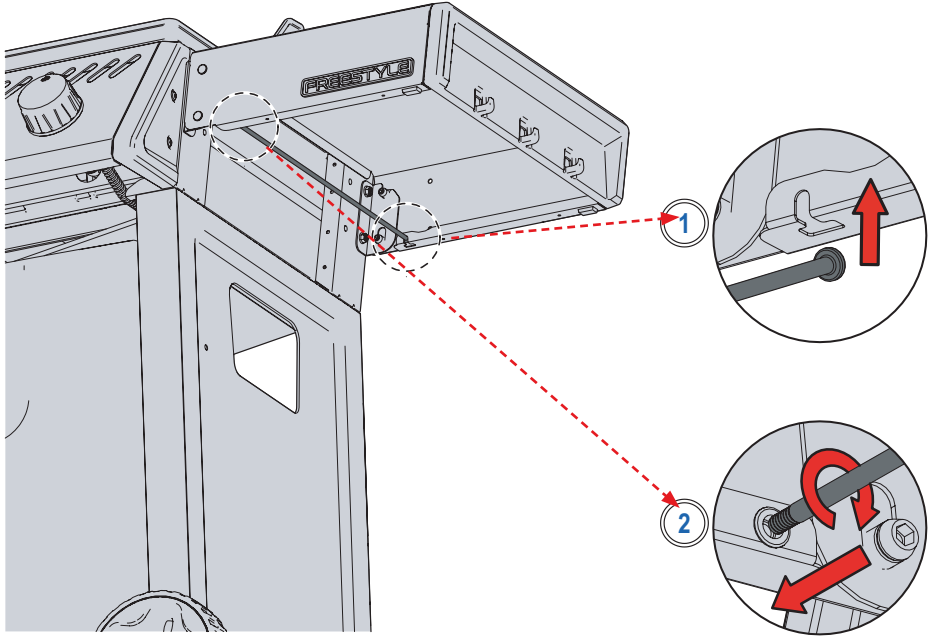




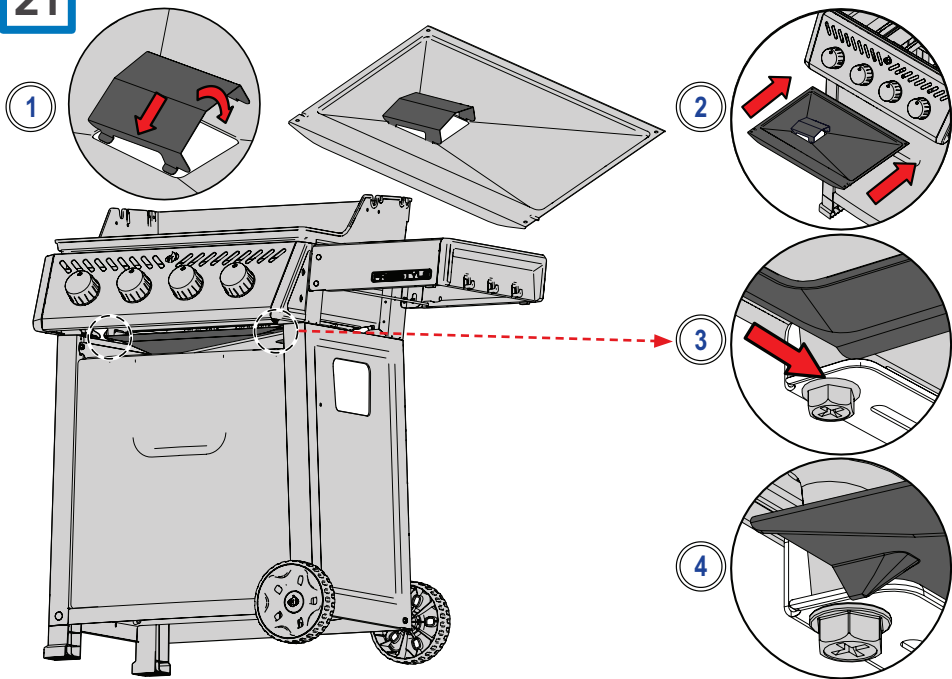
19



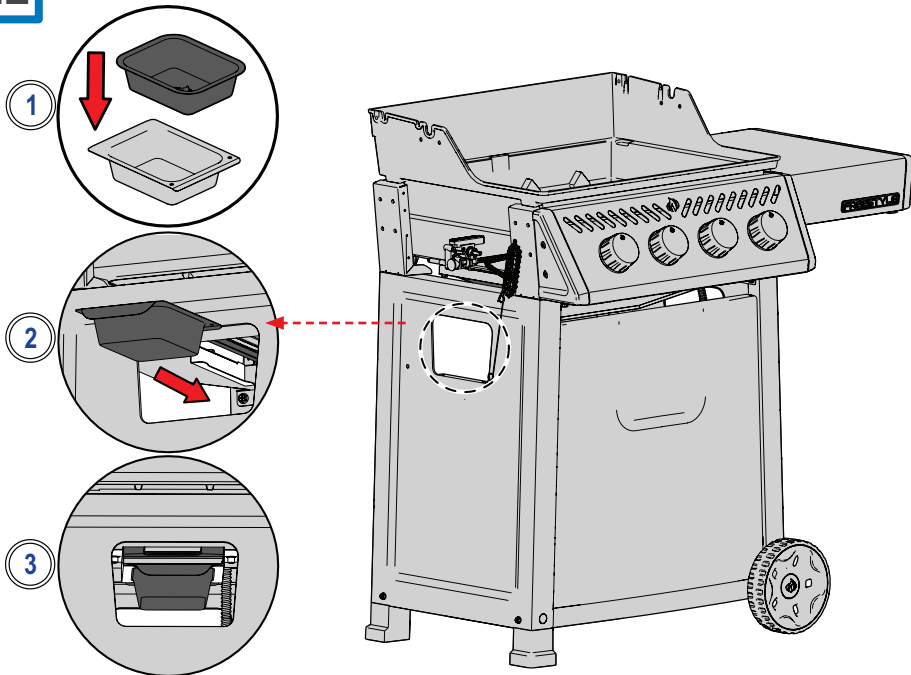
20



# 21

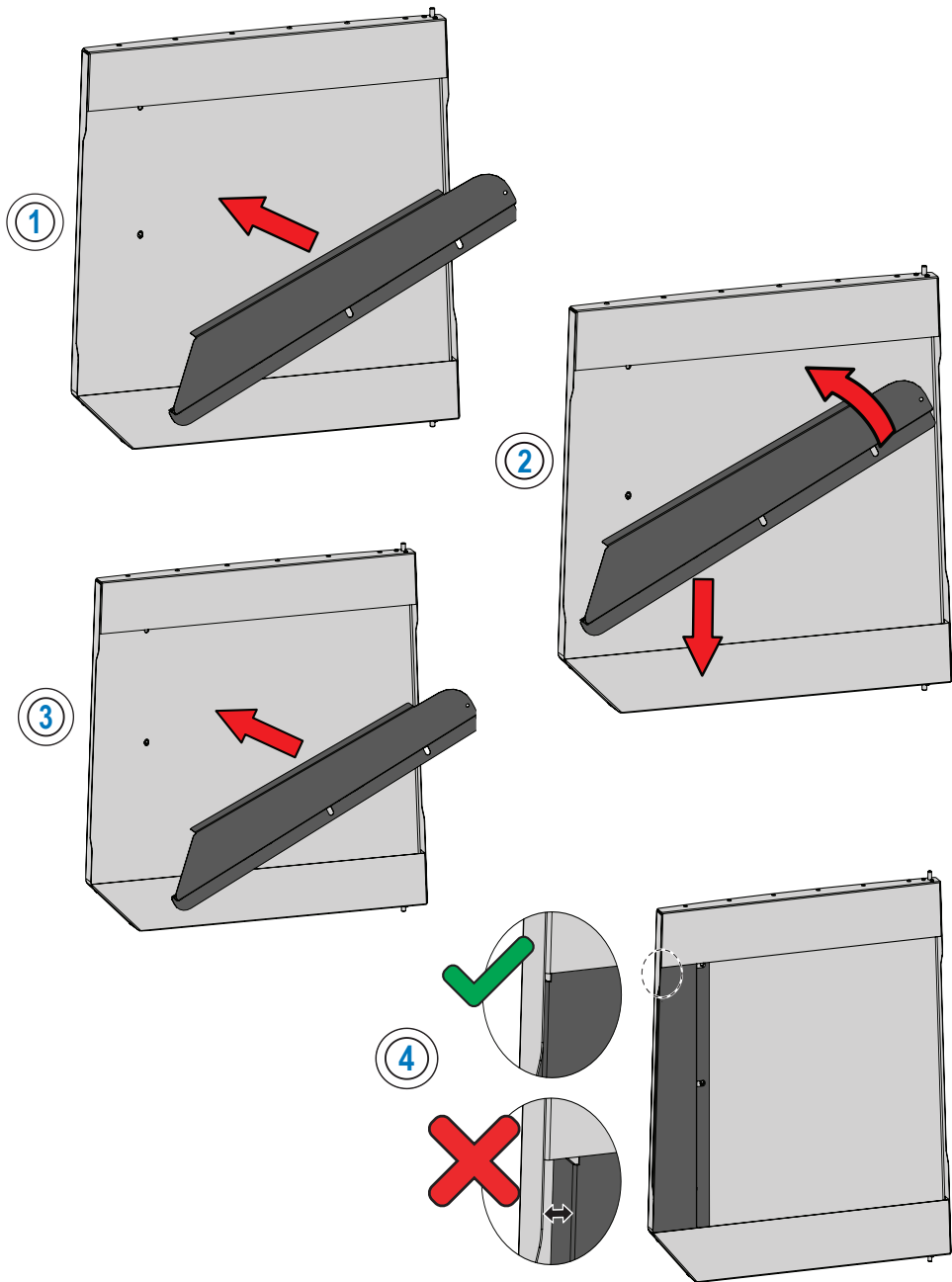


# 22



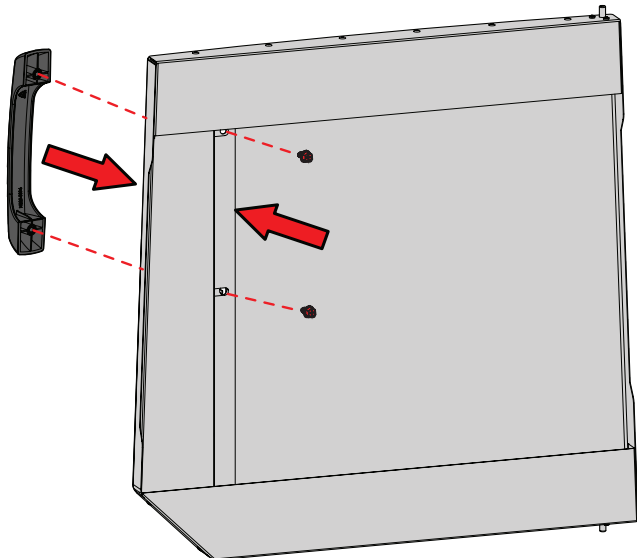
23

x1



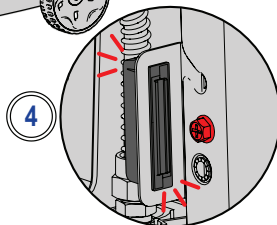
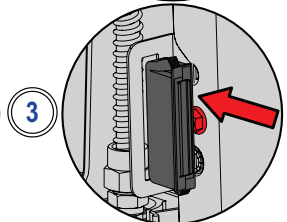
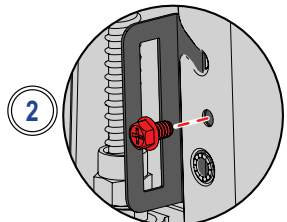
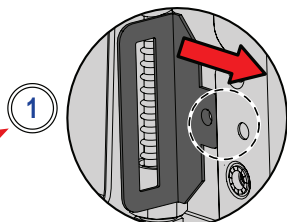
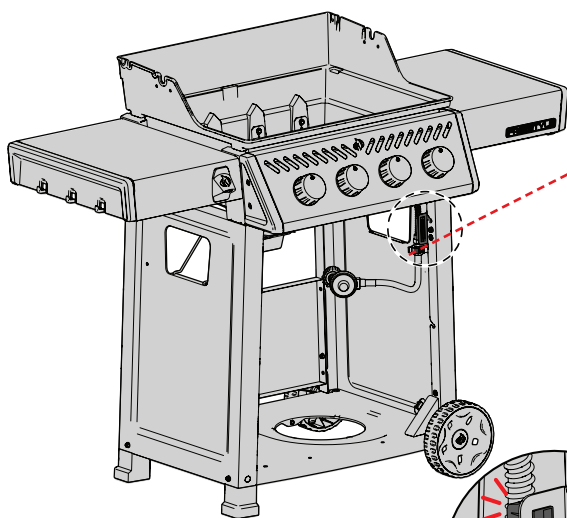
24

 x2



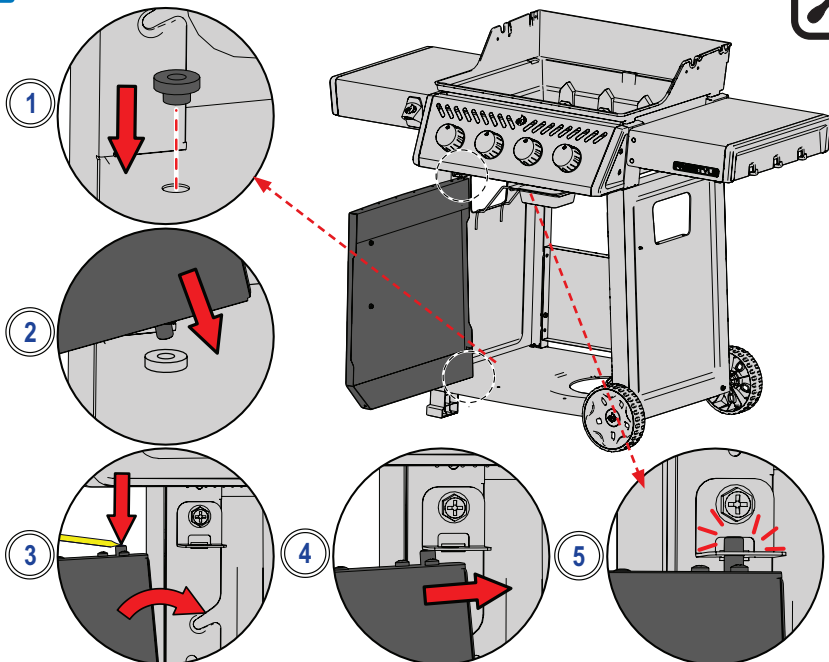
25

 x1  x1  x1



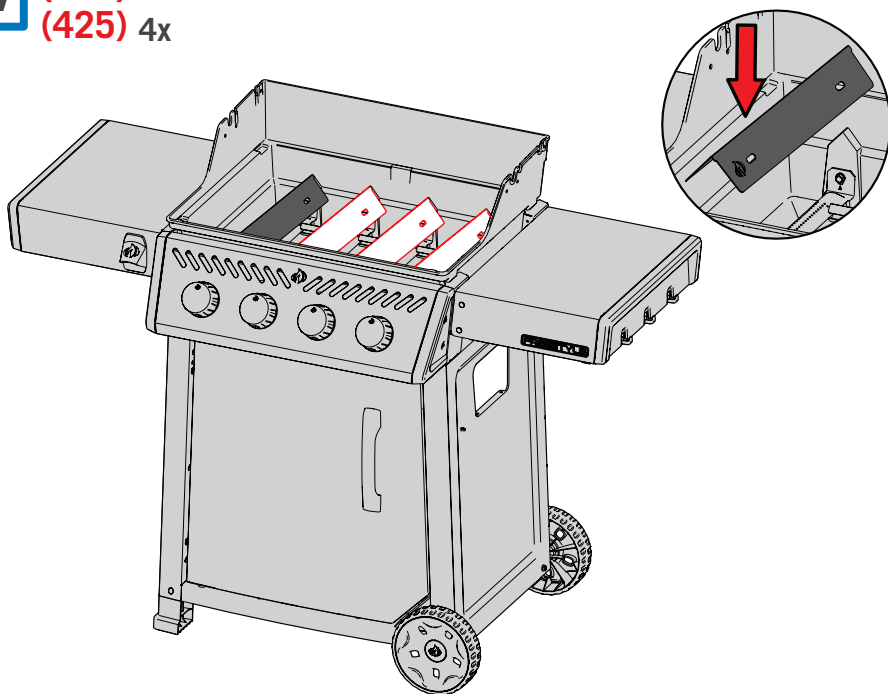
26

 x1

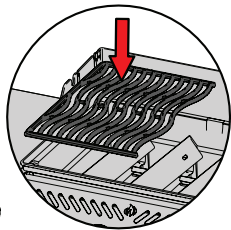
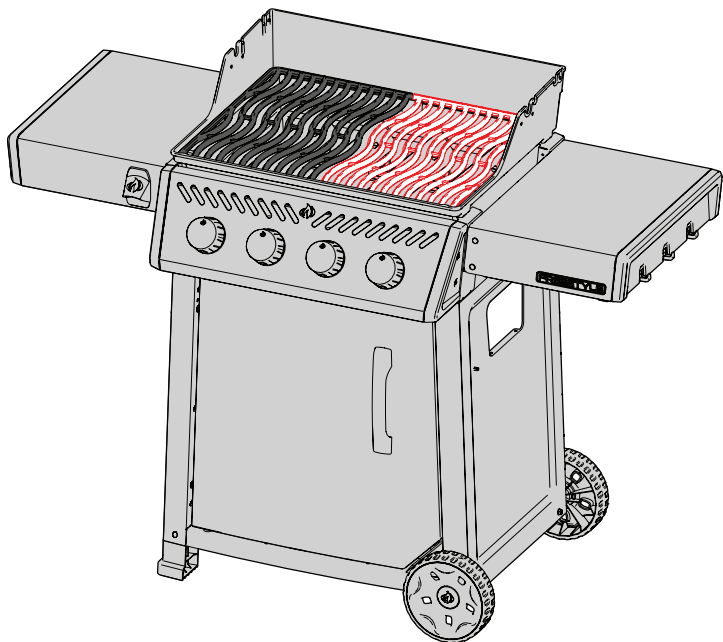


27

(365) 3x  
(425) 4x

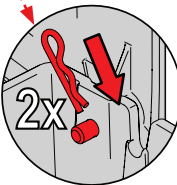
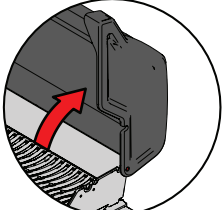
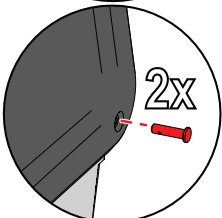
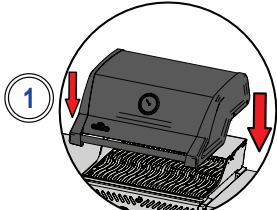
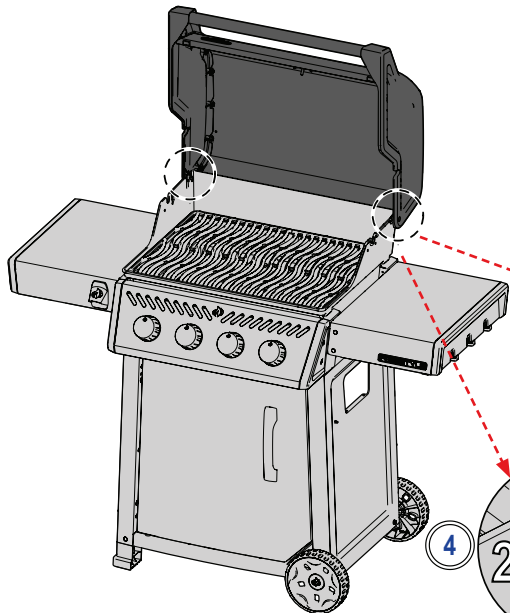


28

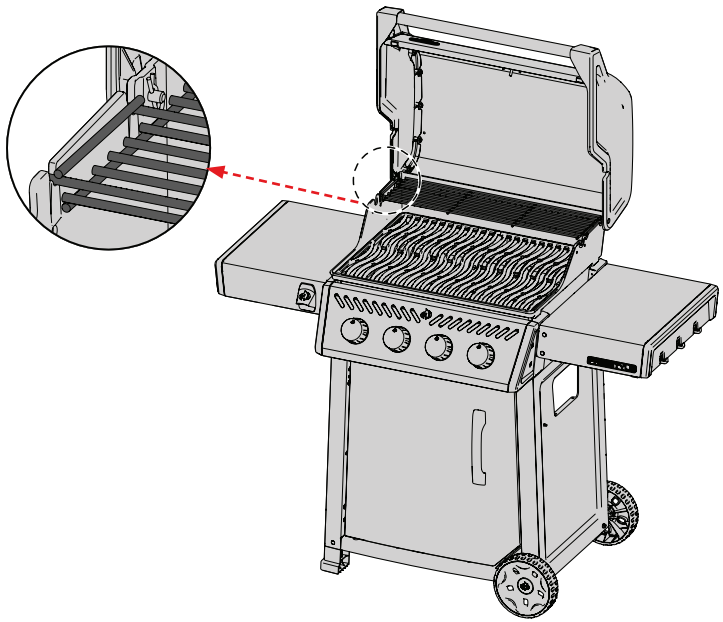


29

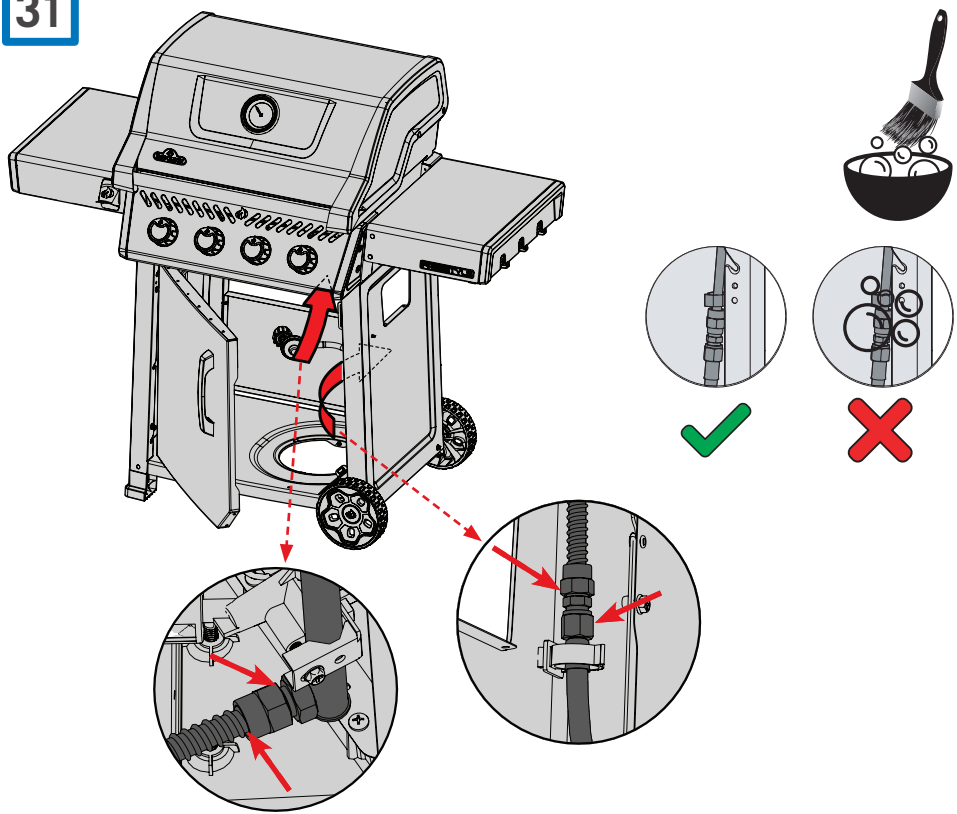
 x2  x2



30



31



## Parts List

Item	Part #	F365	F425
1	N010-1534-GT	x	
	N010-1535-GT		x
2	S91011	x	x
3	N385-0513-BK	x	x
4	N510-0014	x	x
5	N370-1089-SER	x	x
6	S83039	x	
	S83008		x
7	S87001	x	x
8	S87020	x	
	S87021		x
9	N520-0056-BK2GL	x	
	N520-0057-BK2GL		x
10	N710-0134-BK2GL	x	x
	62007	ac	ac
11	N710-0136-BK2GL	x	
	N710-0137-BK2GL		x
12	N010-1424-SER	x	
	N010-1425-SER		x
13	N475-0091	ac	ac
14	N010-1708-BK	x	
	N010-1709-BK		x
15	N080-0483	x	x
16	N080-0482	x	x
17	N200-0155	x	x
18	N105-0020	x	x
19	N160-0051	x	x
20	N570-0118	x	x
21	N475-0557-BK1SG	x	
	N475-0557-BK1SG		x
22	*56425	x	x
23	N590-0334	x	
	N590-0335		x
24	N010-1422-SER	x	
	N010-1497-SER		x
25	N380-0048-BK0TX	x	x
26	N160-0053	x	x
27	N215-0027	x	x
28	N555-0097	x	x
30	N010-1426-GT-SER	x	x
31	N385-0441-SER	x	x
32	N370-1090-SER	x	x
33	N530-0058	x	x
34	N010-1538-GT-SER	x	x
35	N080-0422-BK-SER	x	x
38	N010-1493-GT-SER	x	
	N010-1495-GT-SER		x

x- standard part  
p- propane  
n- natural  
ac- accessory



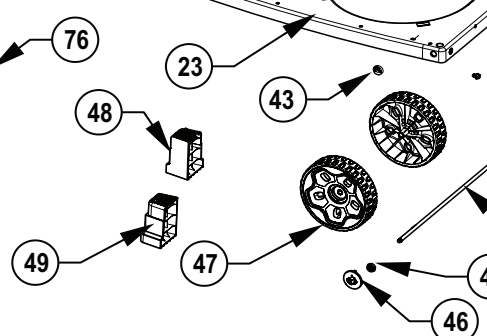
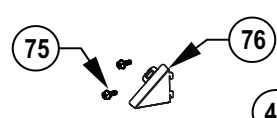
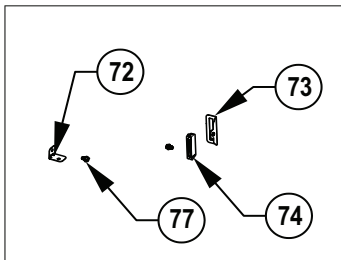
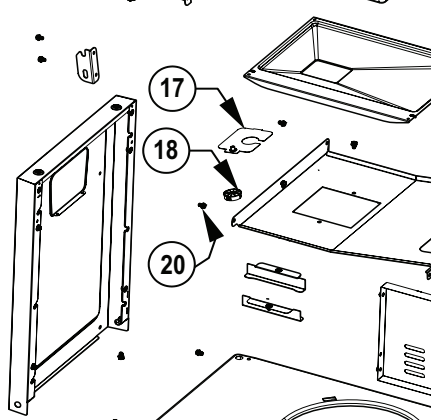
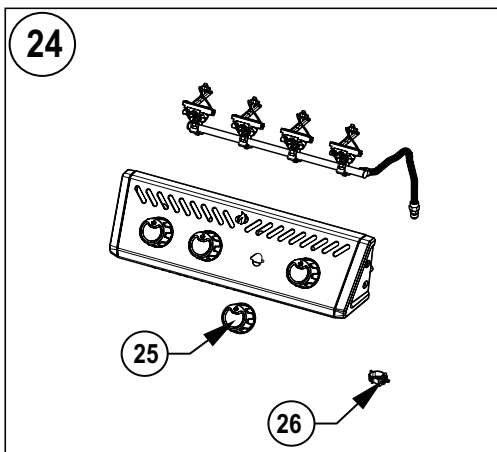
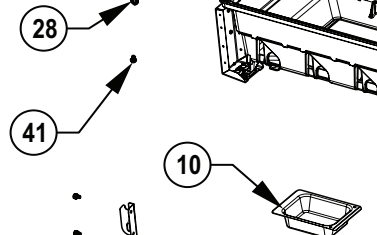
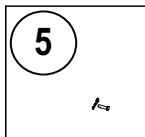
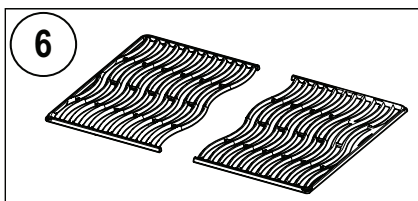
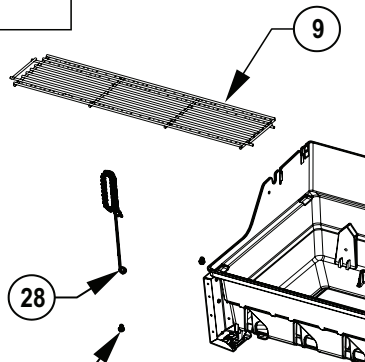
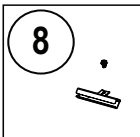
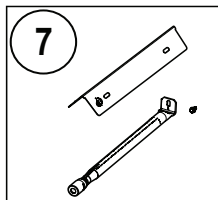
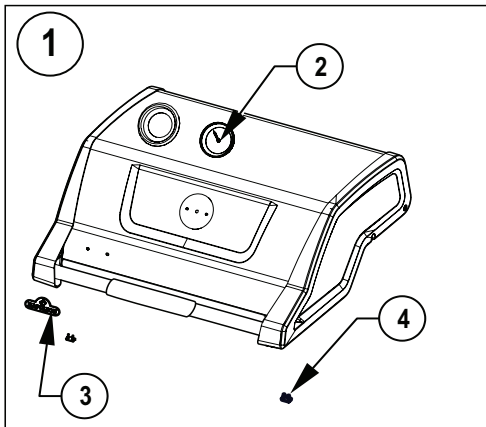
Item	Part #	F365	F425
41	N570-0118	x	x
43	N105-0021-BK0TX	x	x
44	N015-0014	x	x
45	Z450-0015	x	x
46	N120-0048-BK0TX	x	x
47	N745-0010-BK0TX	x	x
48	N272-0004-BK0TX	x	x
49	N272-0003-BK0TX	x	x
69	N325-0094-BK0TX-SER	x	x
70	N105-0011	x	x
72	N080-0488-BK1SG	x	
	N080-0471-BK1SG		x
73	N080-0491-BK1SG	x	x
74	N430-0002	x	x
75	N510-0013	x	x
76	N080-0487-BK1TX	x	x
77	N570-0038	x	x
78	N475-0638-BK1SG	x	
	N475-0639-BK1SG		x
79	S87022	x	
	S87023		x

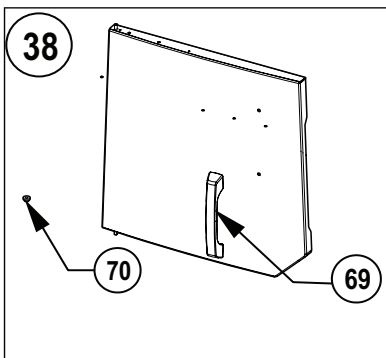
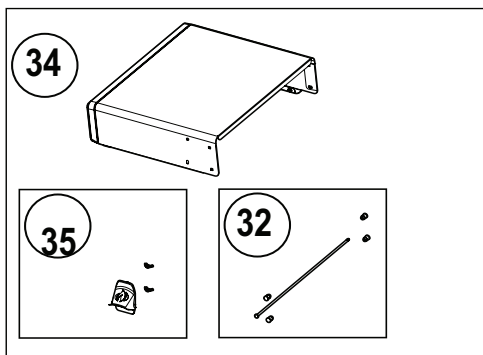
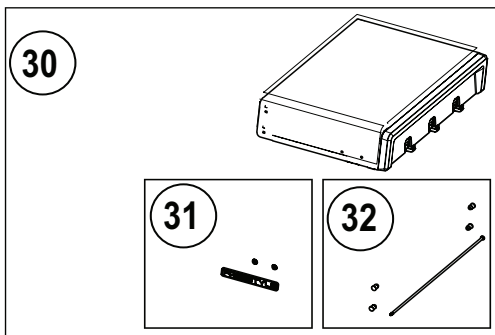
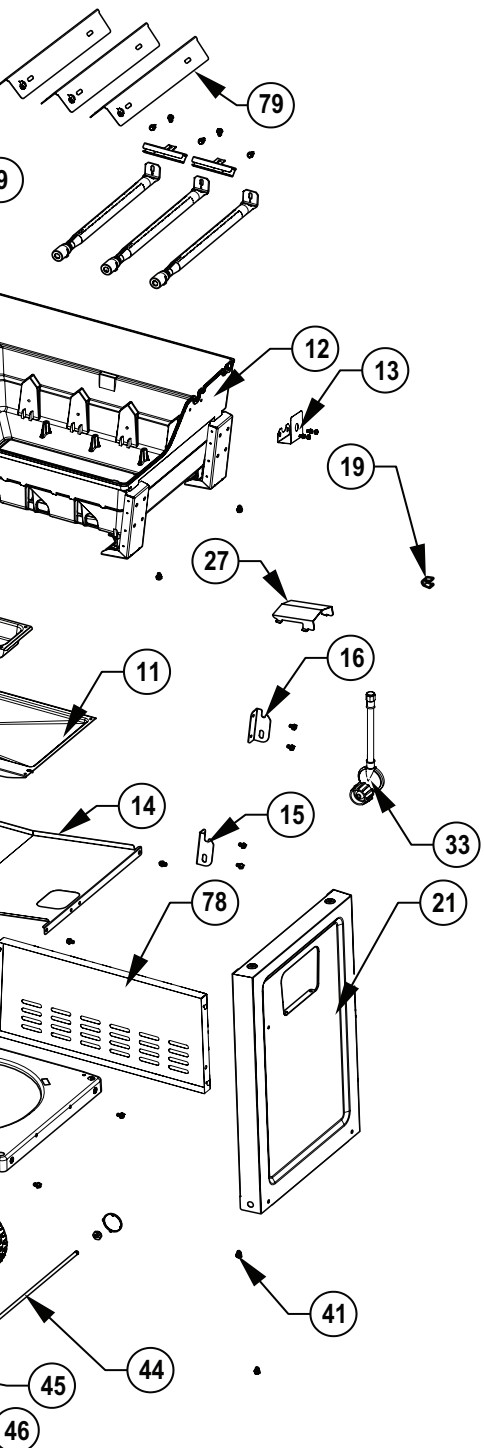
\*Part number not illustrated

## Accessories Parts List

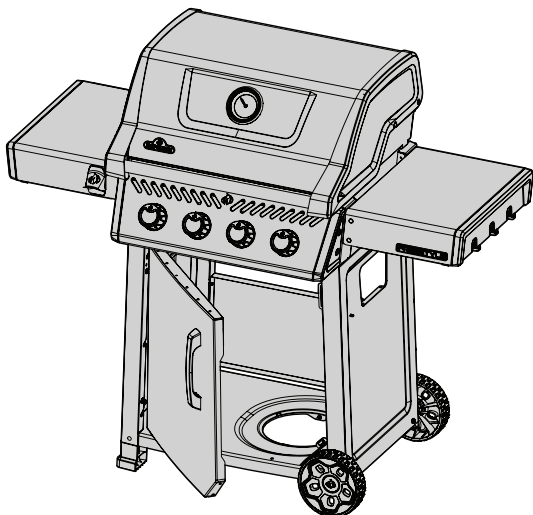
	Description	F365	F425
61444	Cover	ac	ac
67732	Charcoal Tray	ac	ac
62007	Grease Trays Foil (5 pieces)	ac	ac

x- standard  
p- propane  
n- natural gas  
ac- accessory

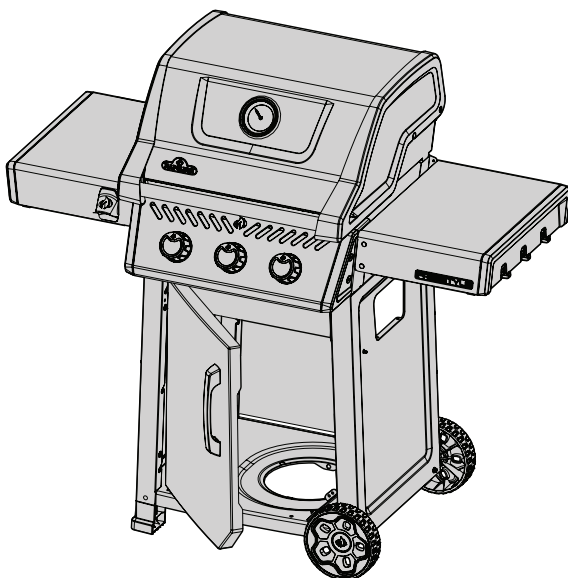




# F425D



# F365D



Napoleon products are protected by one or more U.S. and Canadian and/or foreign patents or patents pending.



[grills@napoleon.com](mailto:grills@napoleon.com)



[www.napoleon.com](http://www.napoleon.com)



WOLF STEEL Ltd.  
214 Bayview Drive, Barrie  
Ontario, Canada. L4N 4Y8