



EVERDURE BLACK OUTDOOR KITCHEN 21B Series



6BIMLPC-21B (Kit):

Includes Sink Module (6BISINKCB21B), BBQ Module (NBLPC-21B), Cooler Module (EBCIM21) & Beverage Cooler (NBC208SS)

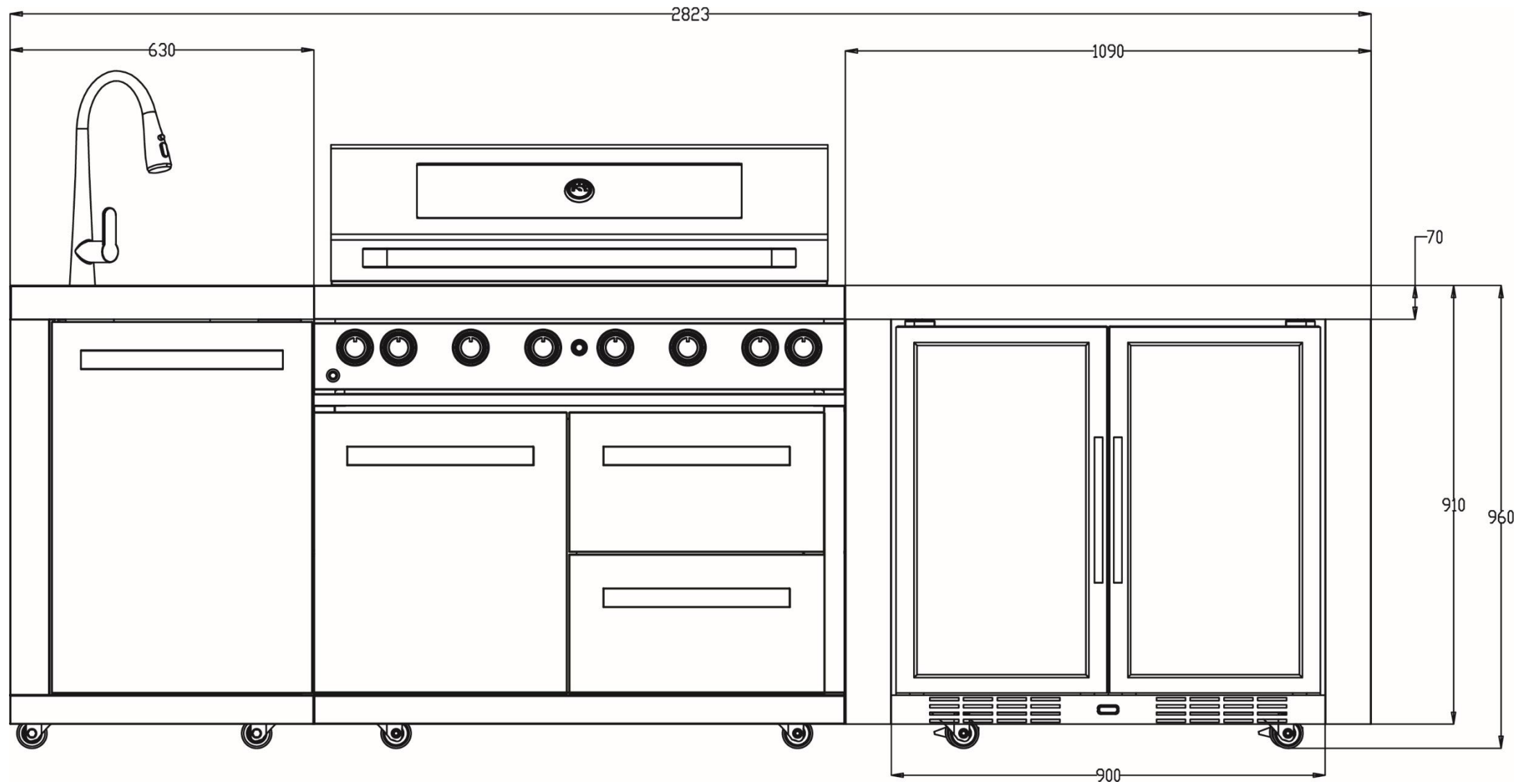


EVERDURE

Model	Everdure Kitchen Black
Description	6B Kitchen with Beverage Cooler
Master Code	6BIMLPC-21B
Master EAN	9312646037007
LPG Hose & Reg	Included
NG Conversion Kit	NBHR-19
BBQ & Module Material	#304 Stainless Steel with Black Finish
Hood	Double Lined
Firebox Cooking Area	960 x 455mm
Counter Top	White Marble Granite
Drawers	2 x Soft Close
Cupboards	1 x Sink Module, 1 x BBQ Module
Viewing Window	Yes
Main Burners	#304 SS Tube x 6
Infrared Rear Burner	Ceramic x 1
Total Nominal Gas Consumption	90.5MJ/h
Main Burners	13Mj/h x 6 Injector Size 0.98mm
Back Burner	12.5Mj/h Injector Size 0.98mm
Flame Tamer	#304 x 6
Rotisserie	230-240VAC, 50 Hz (15kg rated)
Warming Rack	Yes (#201)
Bottle Opener	Yes
Temperature Gauge	Yes
Ignition	Piezo / Each Burner (battery 1 x AAA)
Sink & Tap	Included – Mixer Tap WELS Rated
Cooking Surface	Cast Iron (2 x grills + 1 x flat plate)
Lights	2 x Halogen (main lights), 6 x LED Knob Lights
Castors	Yes / Heavy Metal (lockable front castors)
Beverage Cooler	208L, 0-10C Glass Interior, Lockable
Dimensions	TBA
Packaging	4 x Cartons
Approvals	AGA / Watermark / SAA
Cover	Not Included. Code TBA



6BIMLPC-21B



MULTIPLE LAYOUT OPTIONS

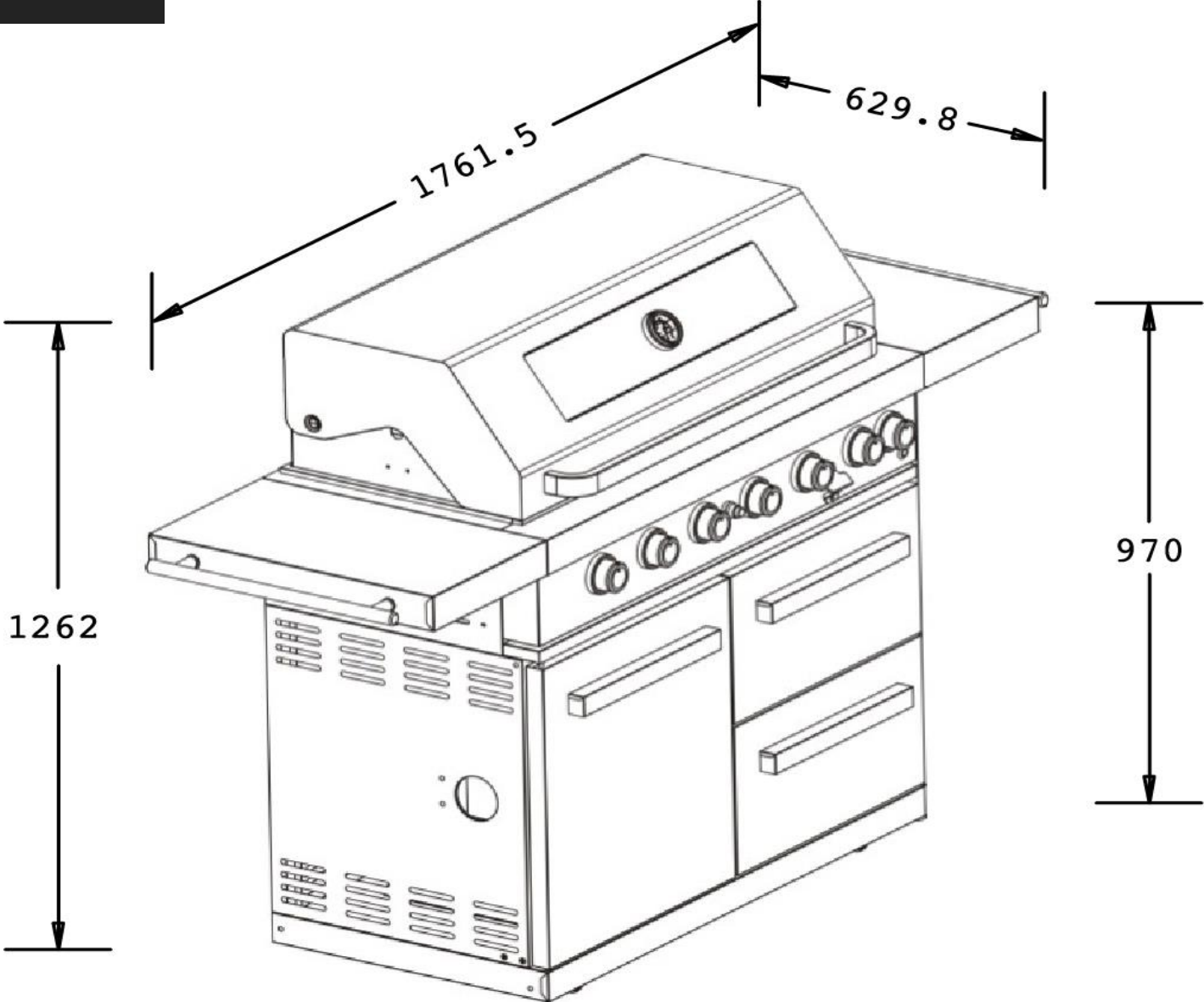


PRE-ASSEMBLED MODULAR SYSTEM



COMPONENTS: NBLPC-21B (BBQ Module) & NBLPCSS-21B (Side Shelves)

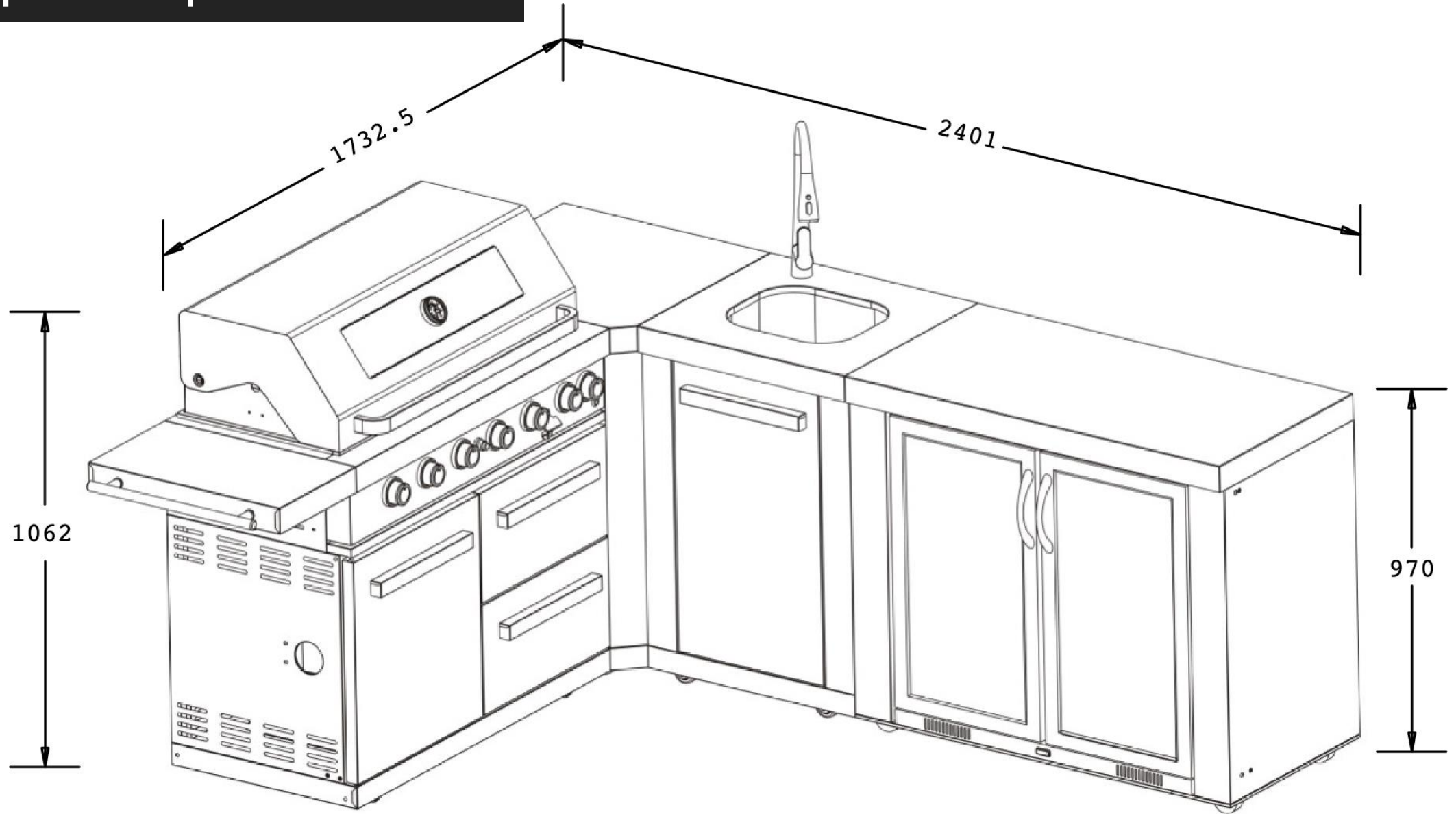
BBQ Dimensions





COMPONENTS INCLUDE: 6BIMLPC-21B, NBLPCSS-21B, & NBCM-21B

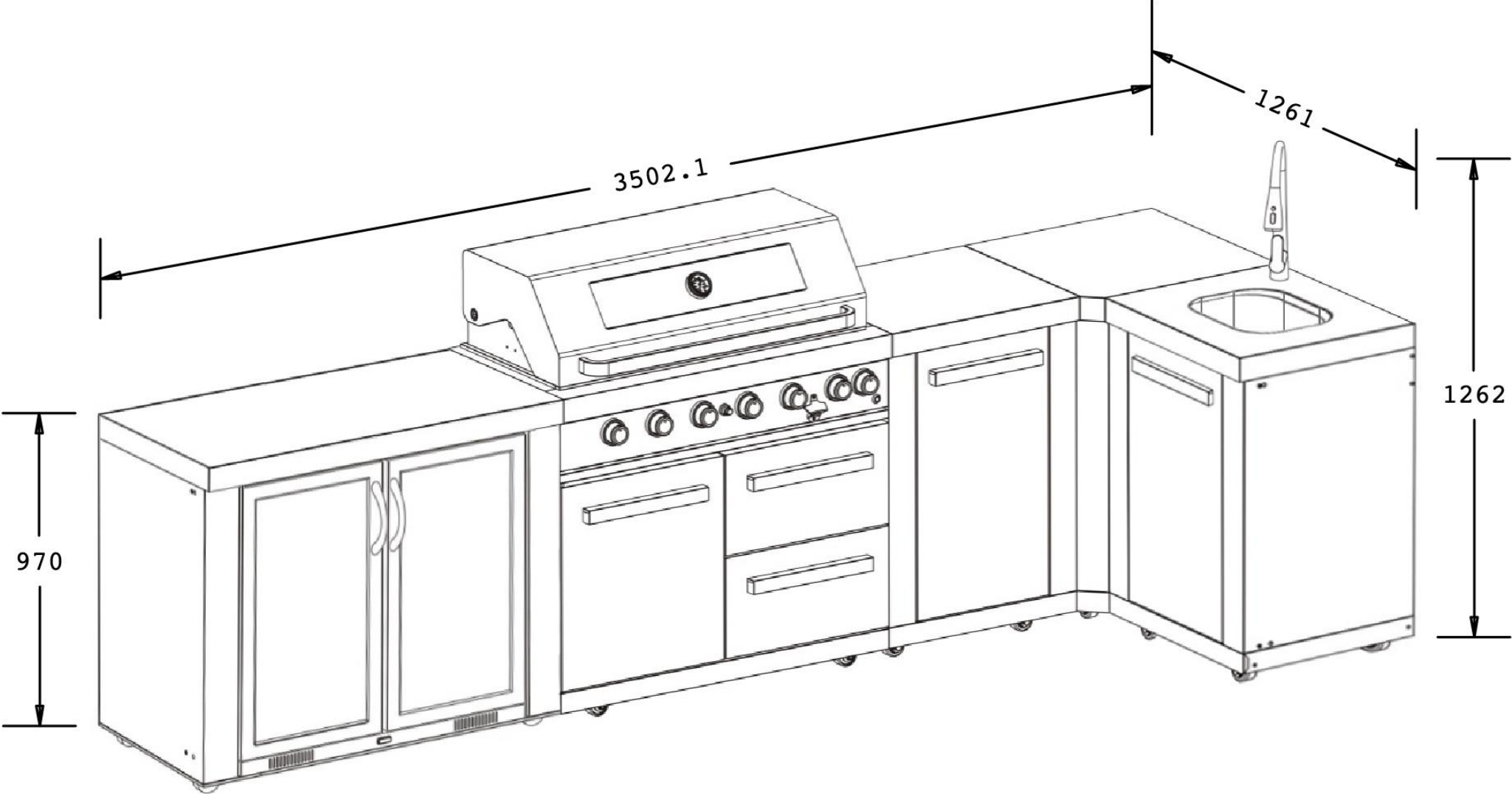
Set Up Kitchen Option A Dimensions





COMPONENTS INCLUDE: 6BIMLPC-21B (Kit) , NBSM-21B (Storage)
& NBCM-21B (Corner)

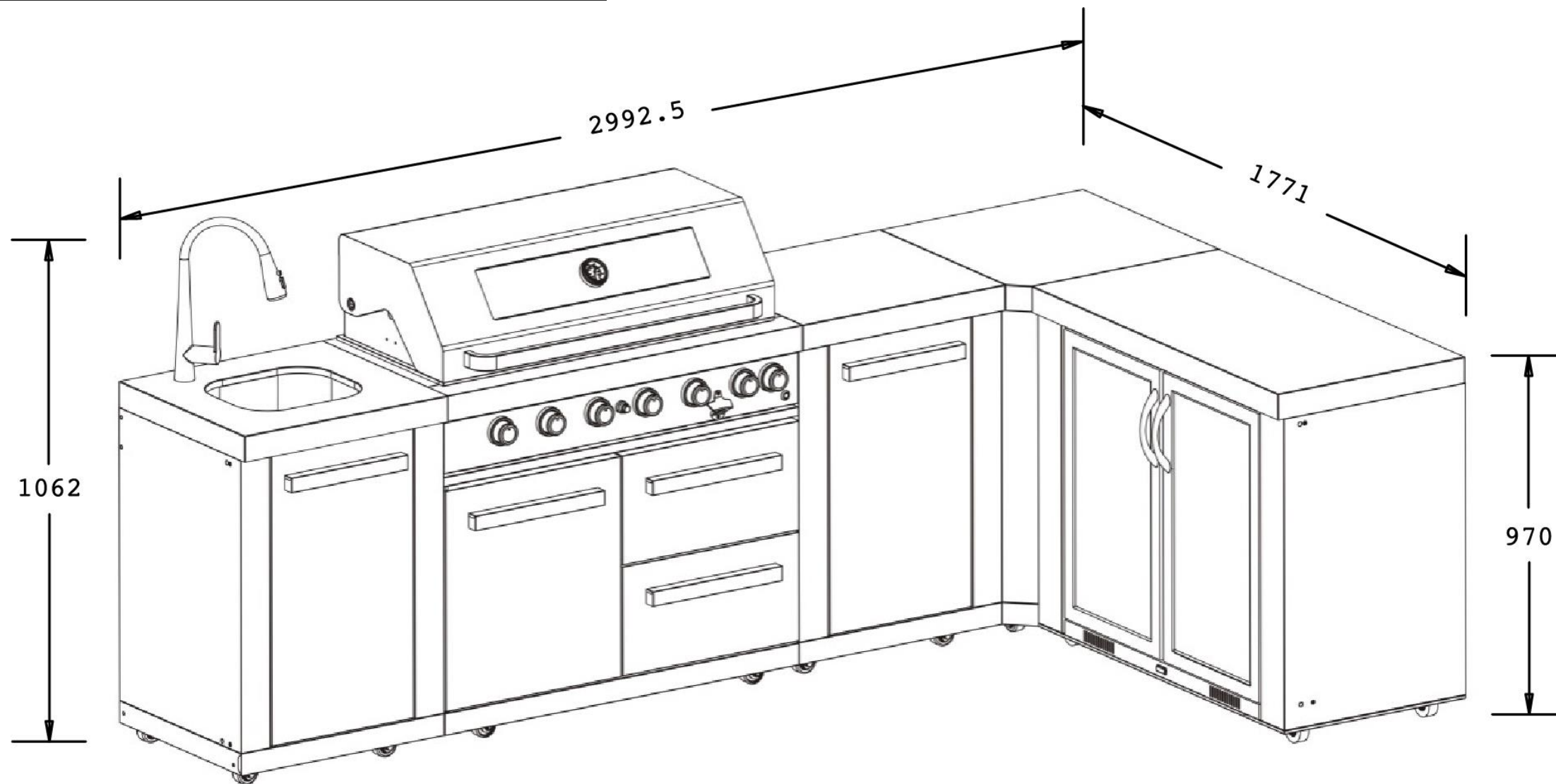
Set Up Kitchen Option B Dimensions





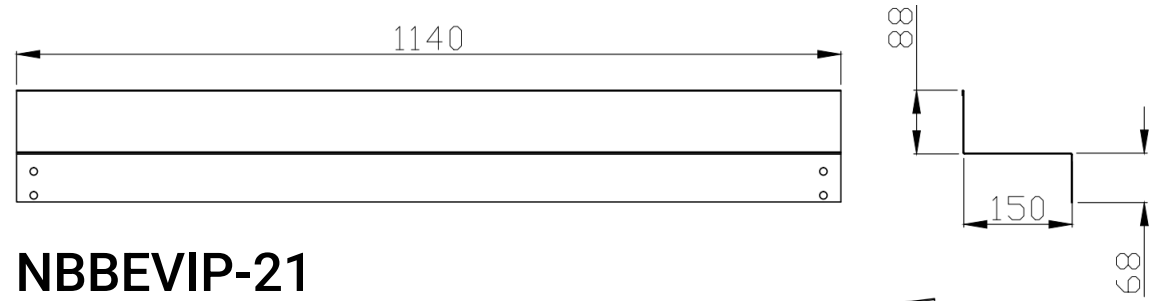
COMPONENTS INCLUDE: 6BIMLPC-21B (Kit), NBSM-21B (Storage)
& NBCM-21B (Corner)

Set Up Kitchen Option C Dimensions

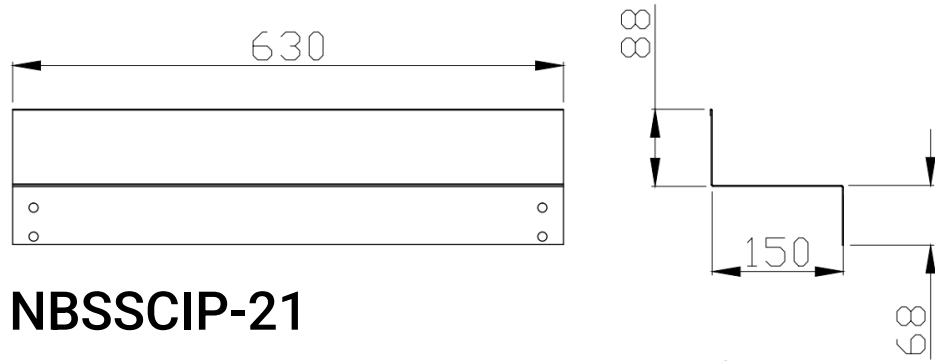
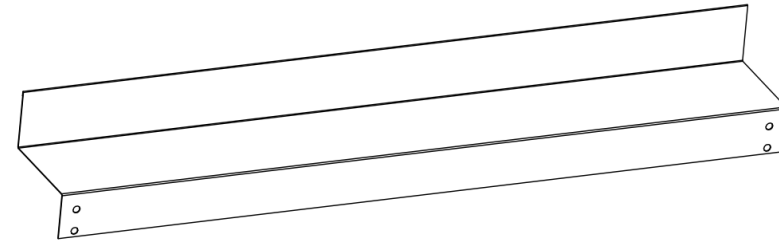


In-Fill Panels

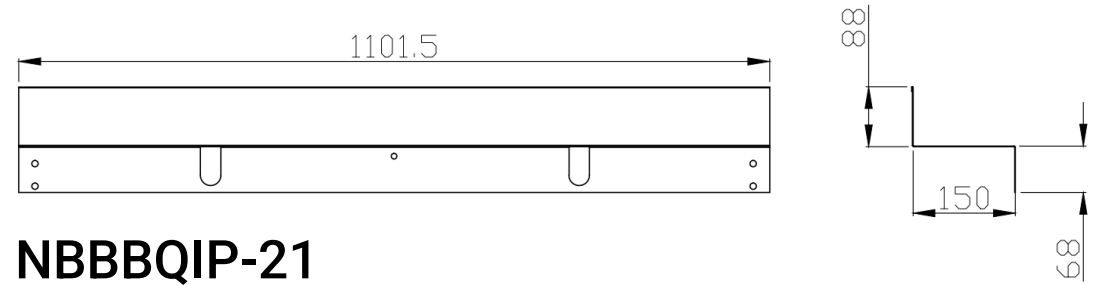
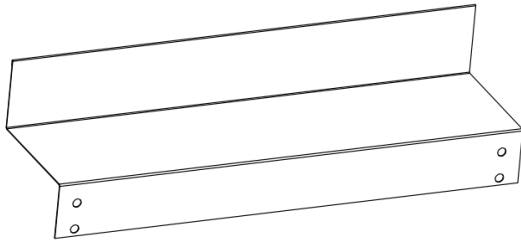
NBODKIP-21: All 3 panels as set



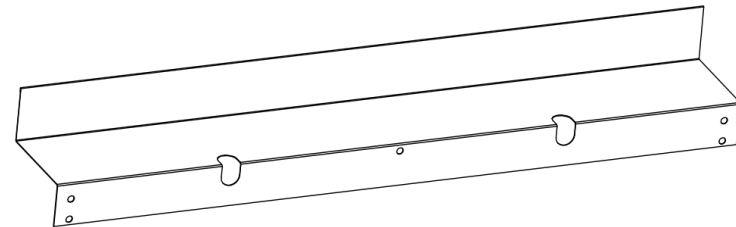
NBBEVIP-21



NBSSCIP-21

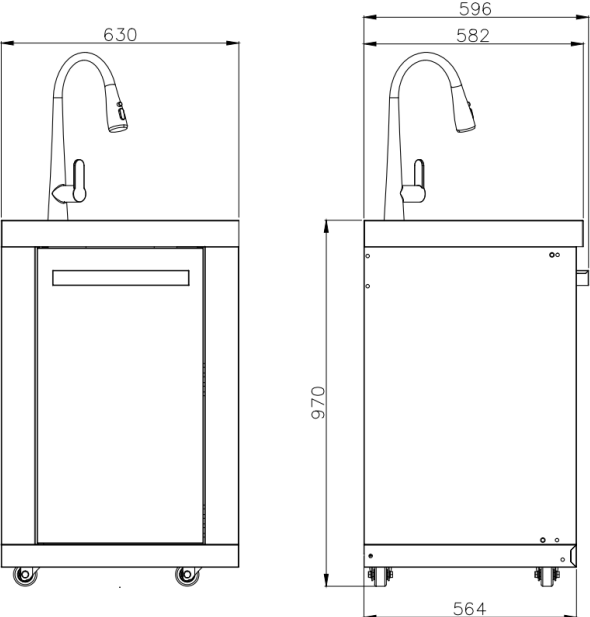


NBBBQIP-21

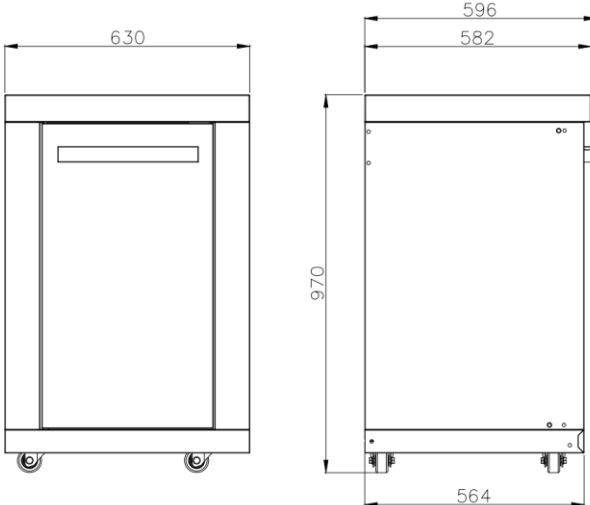


*In-fill panels can be used along the run of cabinets with the BBQ module to extend the depth, due to the Hood "Over-Hang"

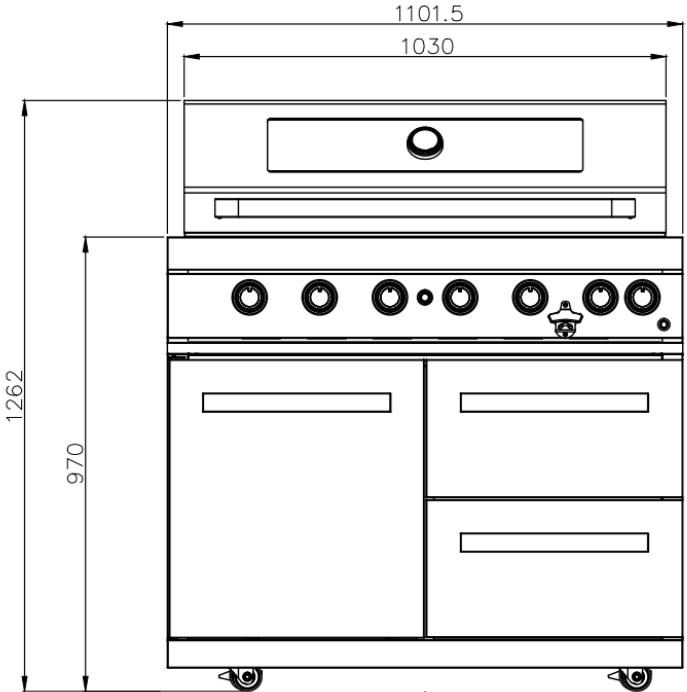
MODULES



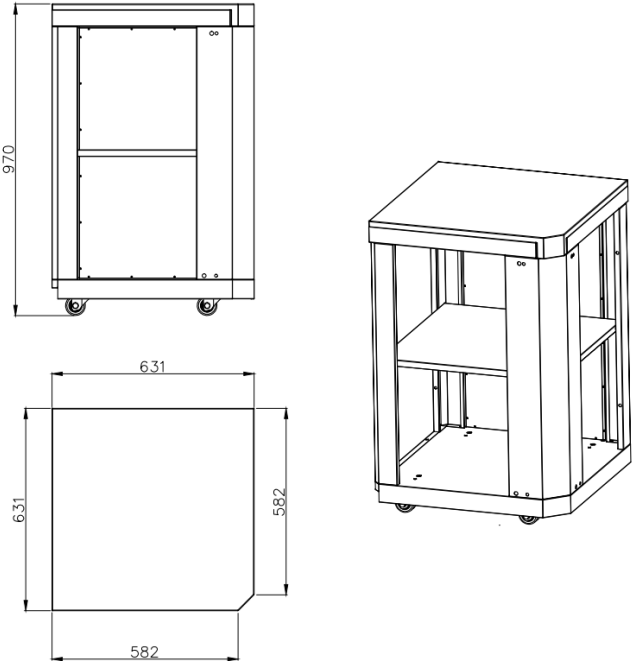
Sink: 6BISINKCB21B



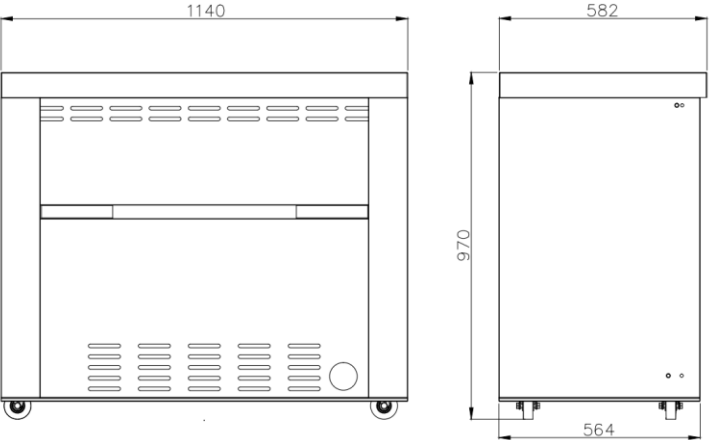
Storage: NBSM-21B



BBQ: NBLPC-21B



Corner: NMCM-21B



Cooler Module: EB21CIM

**Beverage
Cooler Option:**
Model # NBC208SS





Full Length Cover

Model # NEO17COVER

*SUITS 6BIMLPC-21B "Kit" ONLY (SINK, BBQ, COOLER)

Natural Gas Conversion Kit

PRODUCT CODE: NBHR-21



Kit contains Natural Gas Hose and Regulator, LPG Gas Valve Removal Tool, Natural Gas Stickers and Instruction Manual

This BBQ is "double jetted meaning to convert, you remove the LPG injector which leaves the NG injector.

Burner	LPG		NG	
	Injector (mm)	MJ/Each	Injector (mm)	MJ/Each
Main Burner	0.98	12.7	1.50	10.6
Infrared Rear Burner	0.98	12.7	1.65	12.7
Side Burner	0.98	12.7	1.65	14.8

*Conversions are only to be done by an authorized person only.

EXTRA INFORMATION

- Rotisserie Kit is included
- WELS Water Rating, must be displayed on sink module



WARRANTY

Customer Care: 1300 766 066

WHAT IS NOT COVERED: By Our Warranty

1. Any defect or failure caused by the product not being assembled or used in accordance with the instruction/installation manual provided with the product.
2. Normal fair wear and tear (e.g., surface rust on cooking plates & burners, heat discolouration)
3. Insect or vermin infestation.
4. Unauthorised repairs or use of non-genuine Everdure parts.
5. Products scratches & damage as a result of delivery, installation or assembly
6. Claims to product surface coatings due to accidental damage, improper or lack of maintenance, damage from cleaning products not recommended by Everdure.

BARBEQUE COMPONENT	WARRANTY PERIOD
Stainless steel parts	5 YEARS
Enameled parts, powder coated panels, cooking plates & all other assembly/parts	2 YEARS