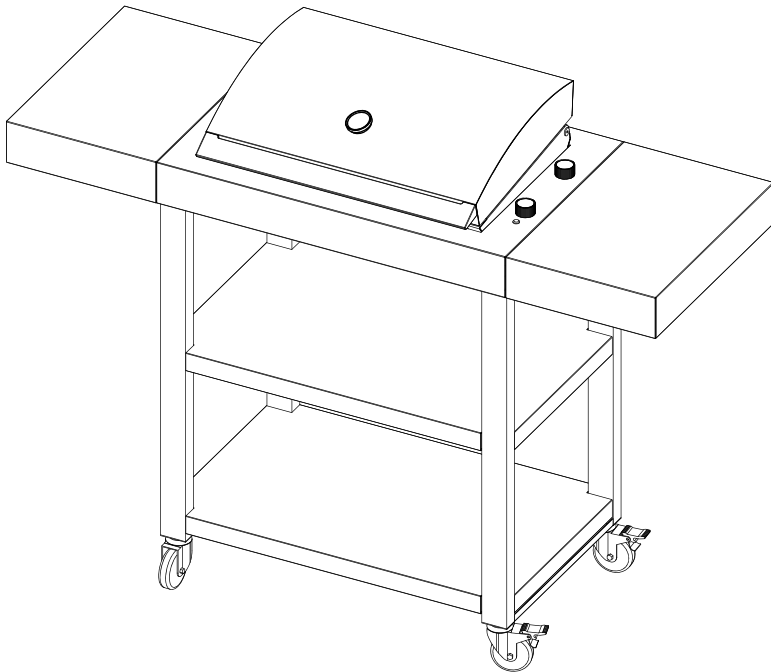
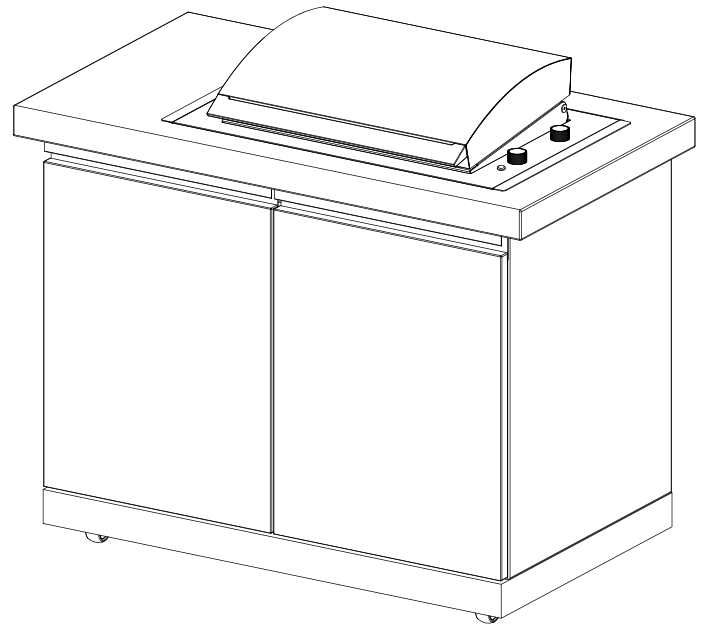




# CROSSRAY ELECTRIC BBQ TROLLEY & KITCHEN PRODUCT INSTALLATION MANUAL



Electric Trolley  
TCE15TR



Electric Kitchen  
TCE15KIT

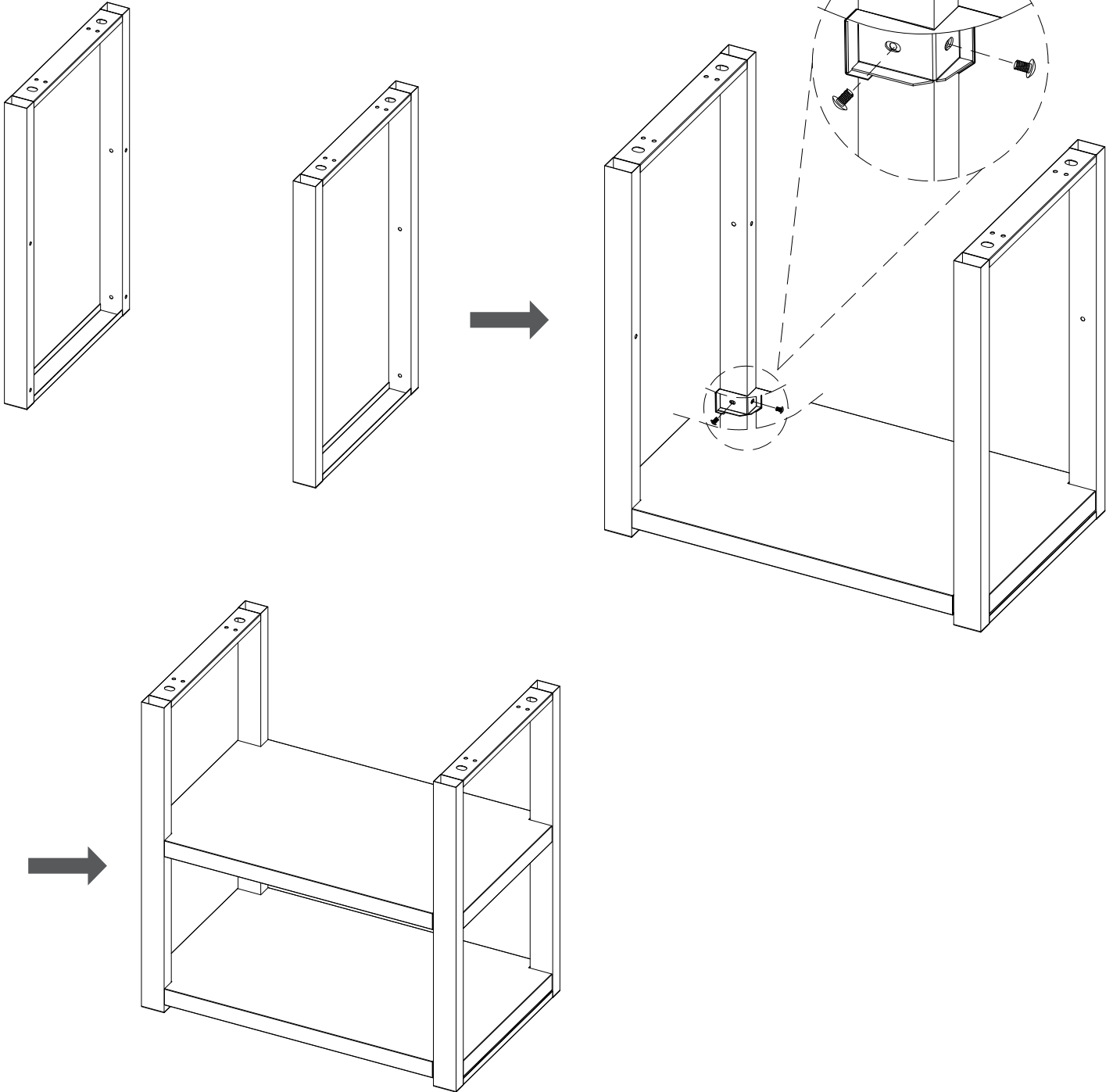
[crossray.com.au](http://crossray.com.au) | 03 9562 3455 | [sales@crossray.com.au](mailto:sales@crossray.com.au)

# TCE15TR Assembly Instructions

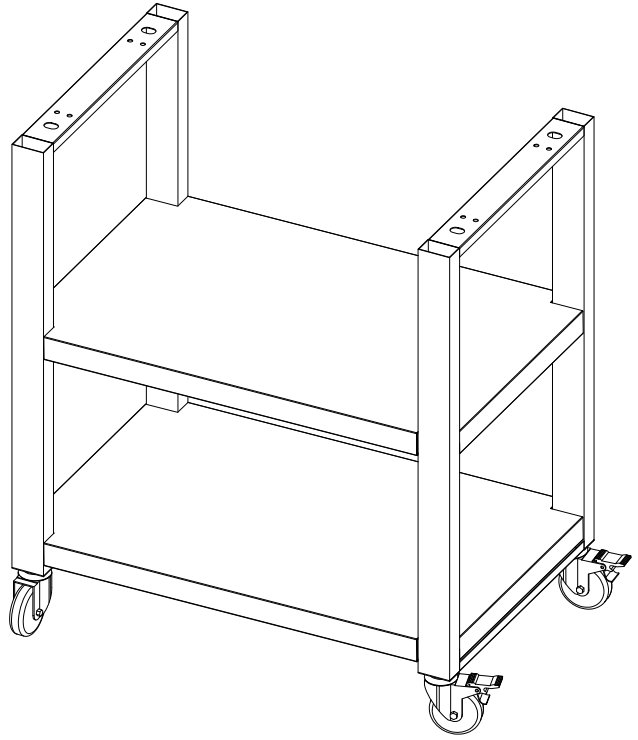
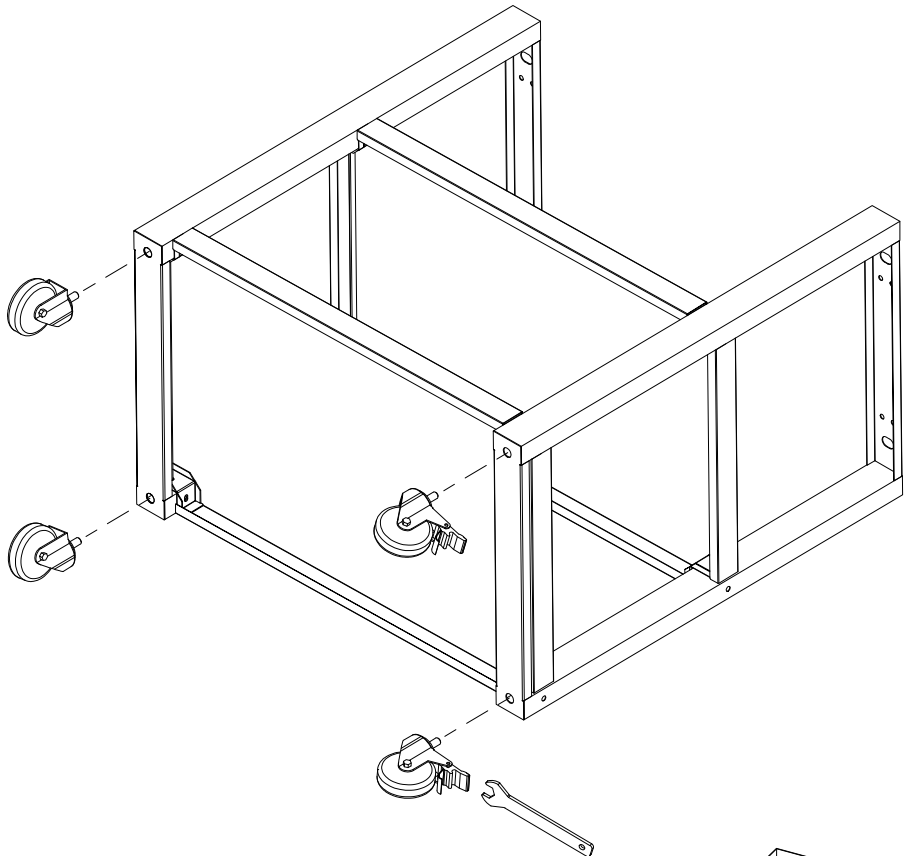
## 1 Install CROSSRAY Trolley.



Phillips Head Screw 3/16"x3/8"  
Qty.16



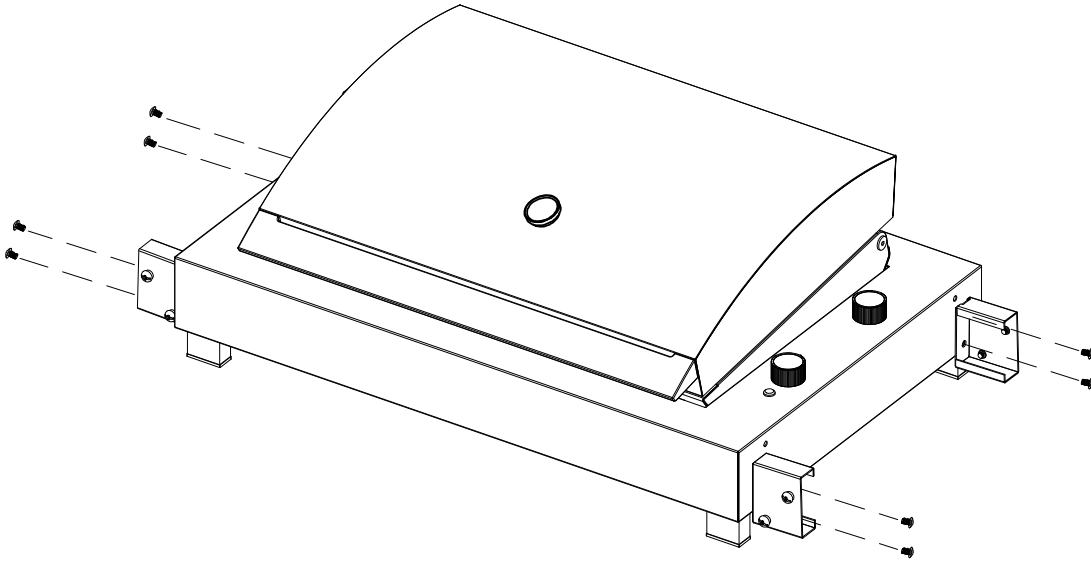
**2** Install Casters.



**3** Install Side shelf, bracket onto BBQ.



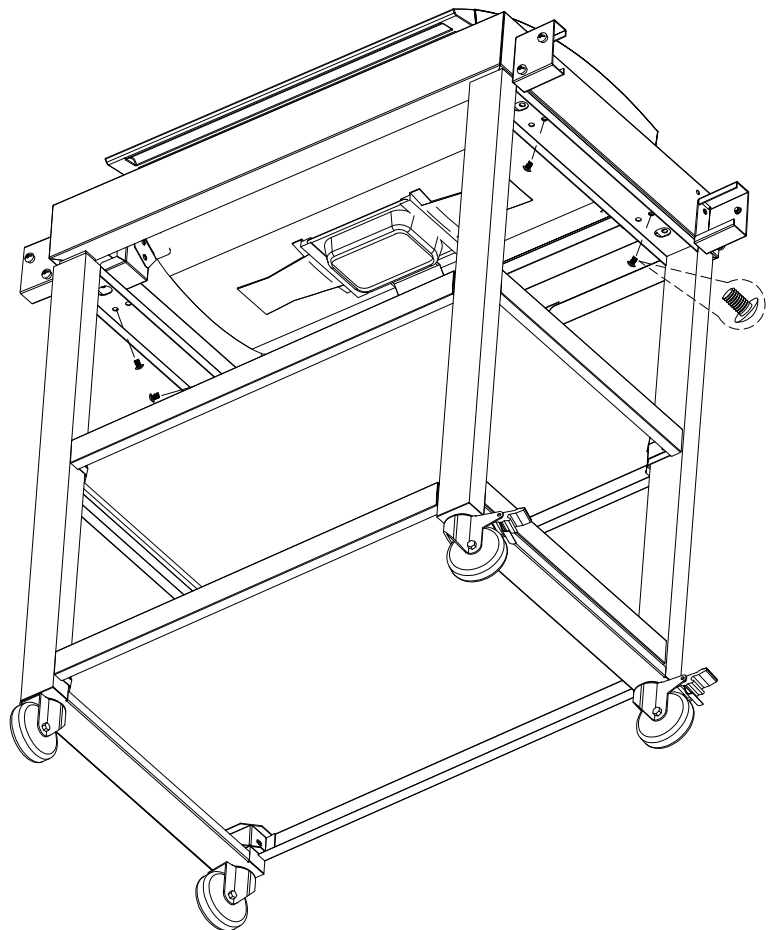
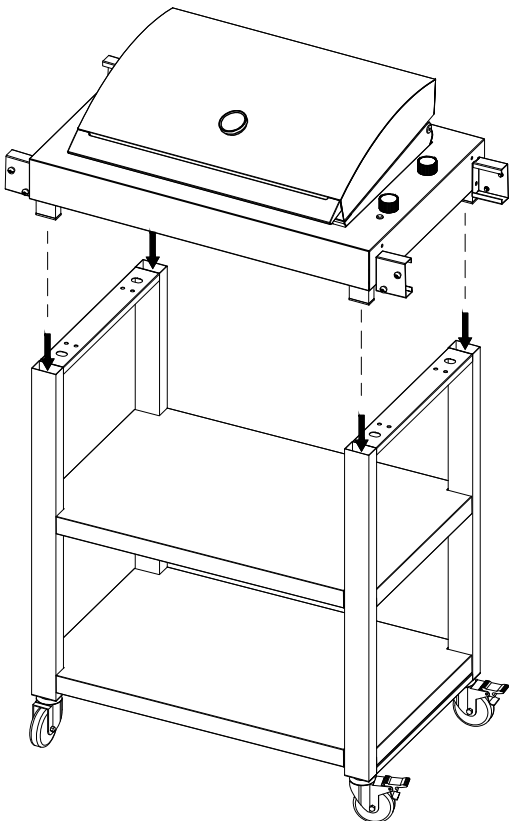
Phillips Head Screw 3/16"x3/8"  
Qty.8



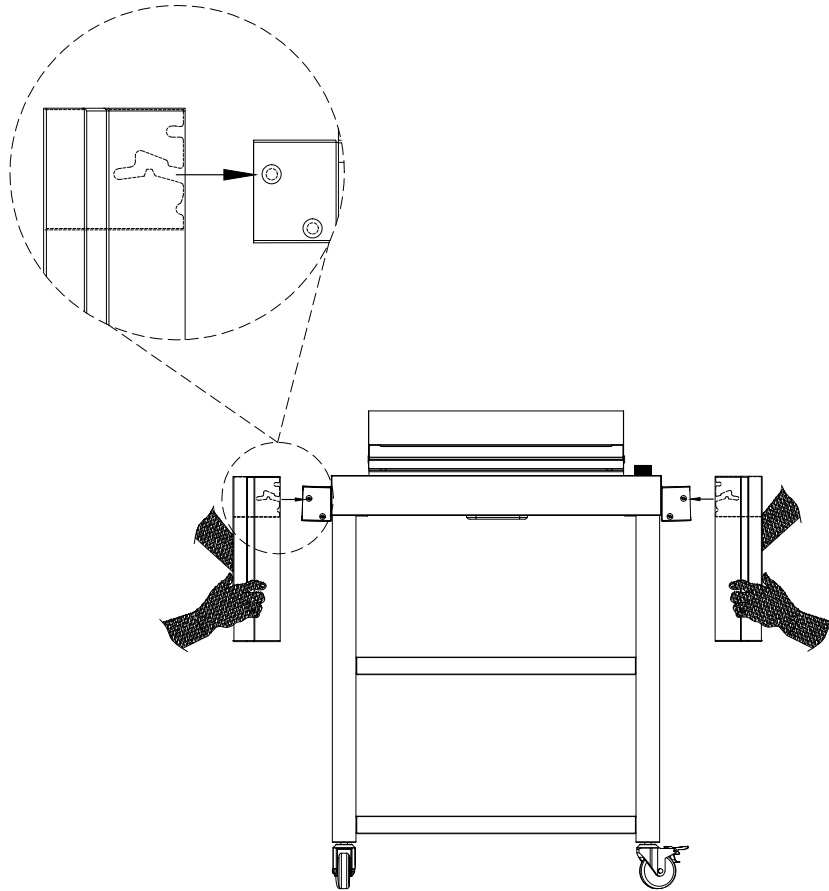
**4** Insert the BBQ onto the trolley, and secure it with screws from underneath.



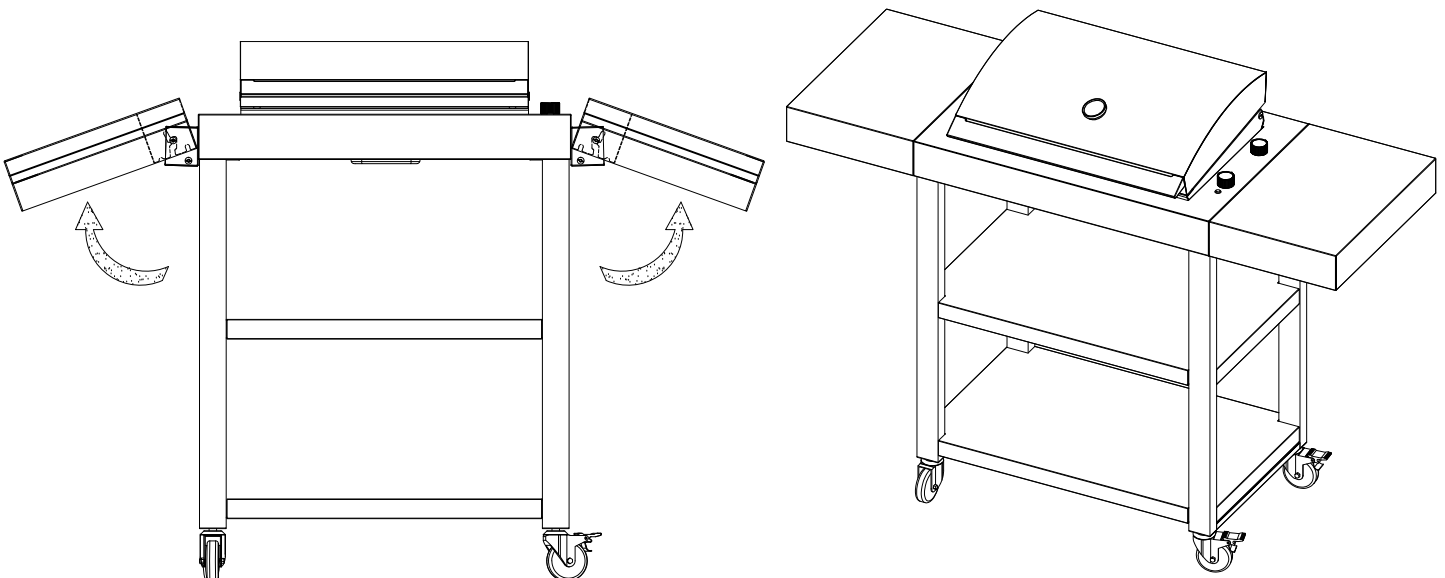
Phillips Head Screw 3/16"x3/8"  
Qty.4



**5** Install the side shelves.



**6** To remove the side shelves, lift a shelf, let the end rotate down (45°), then lift it off the grill.

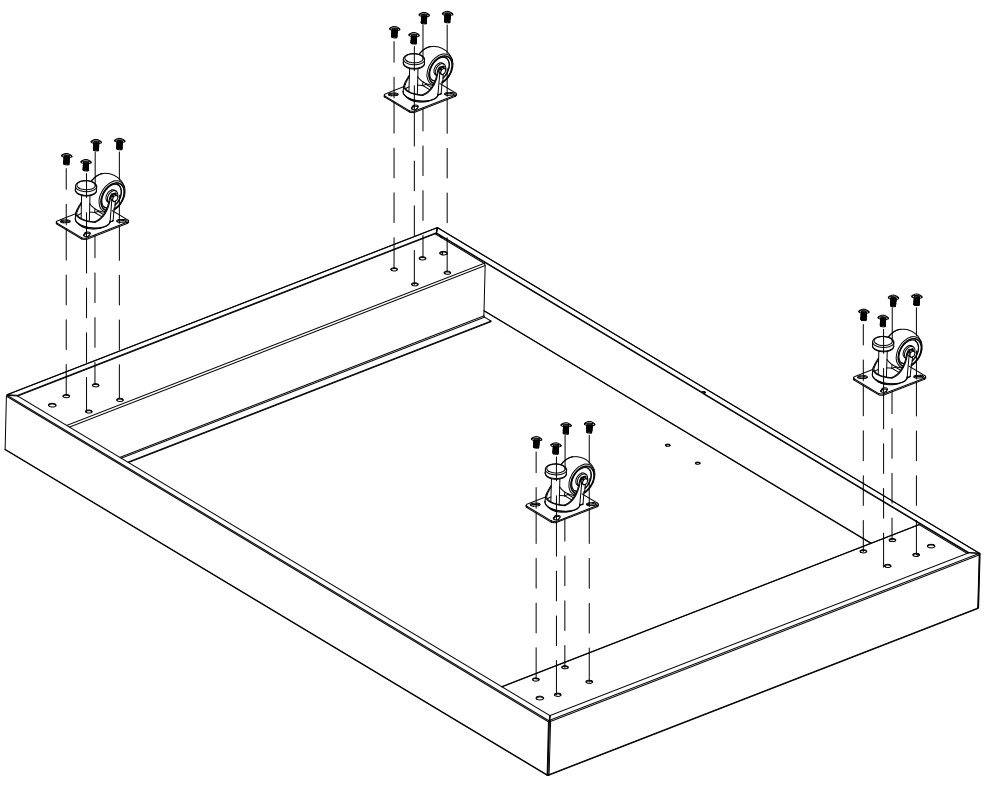


**TCE15KIT Kitchen Cabinet Assembly instructions .**

**1** Install Casters.



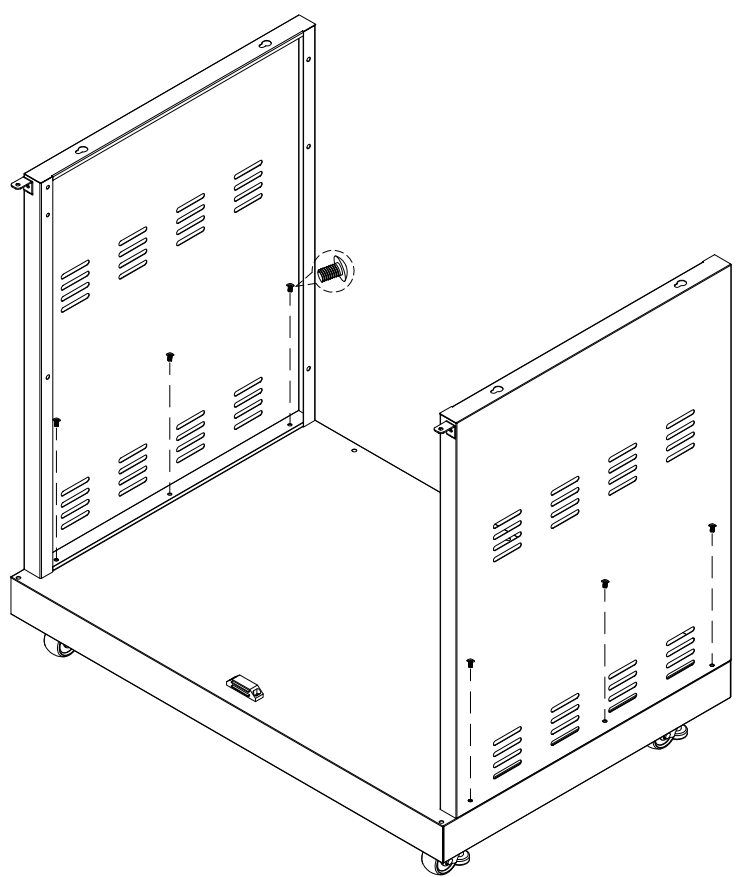
Phillips Head Screw 3/16"x3/8"  
Qty.16



**2** Install Trolley side panels.



Phillips Head Screw 3/16"x3/8"  
Qty.6



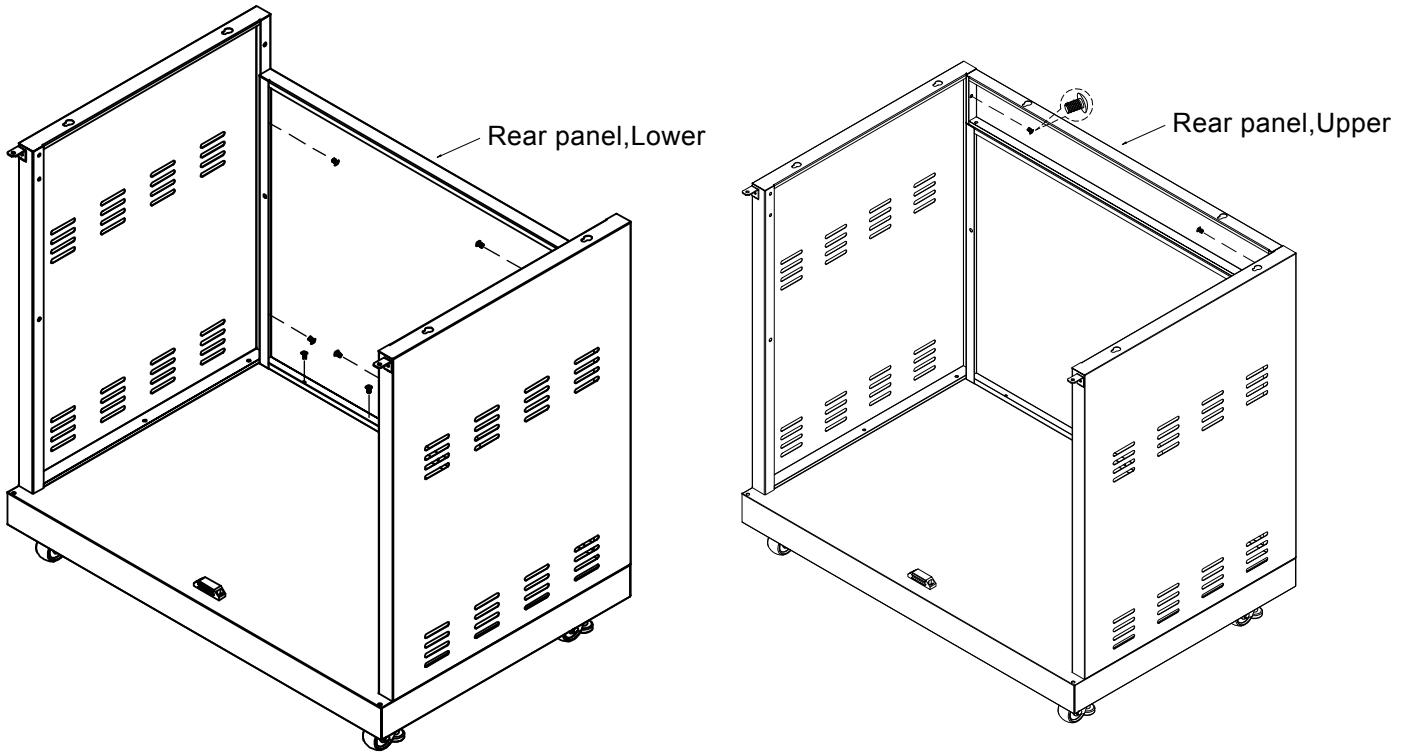
**3**

Install Trolley Rear panel.



Phillips Head Screw 3/16"x3/8"

Qty.9

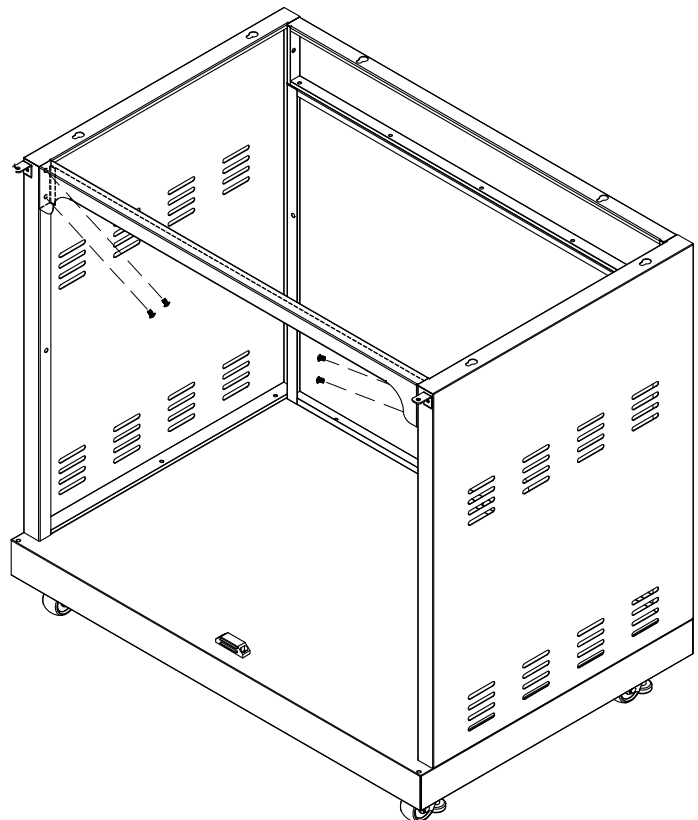
**4**

Install Door Bracket.

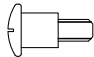


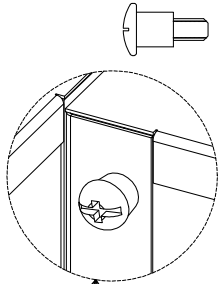
Phillips Head Screw 3/16"x3/8"

Qty.4

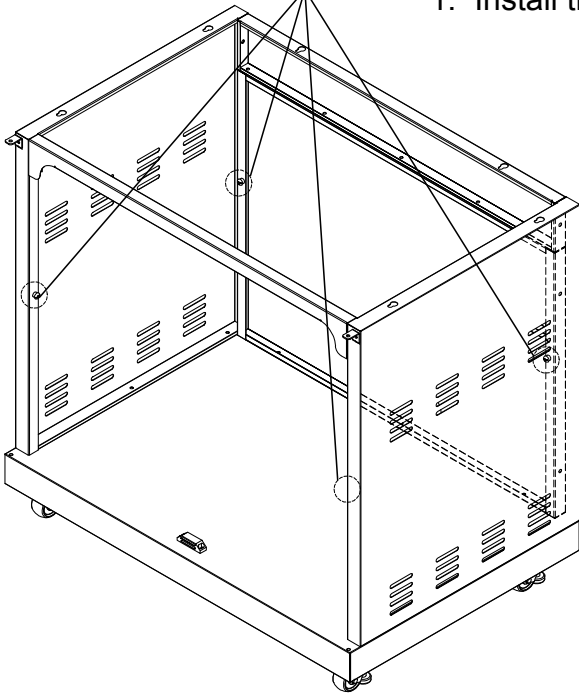


**5** Install middle panel.

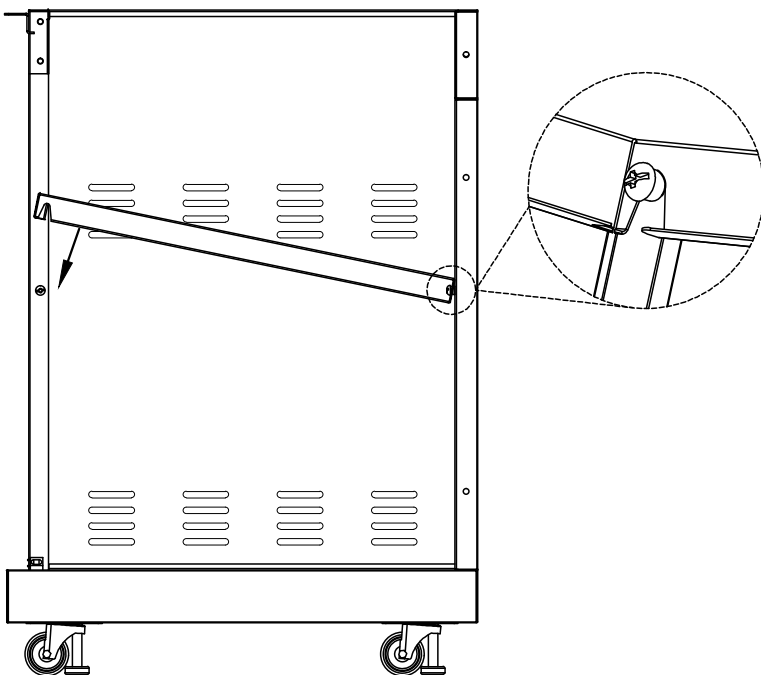
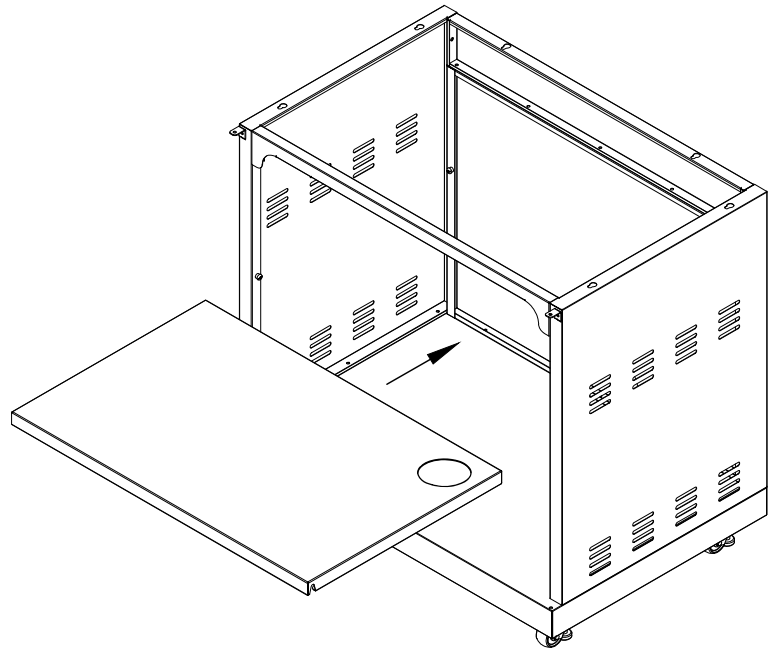
 Double screw 3/16"x3/8"  
Qty.4



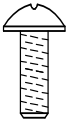
1. Install the screws.



2. Slide in the middle panel.



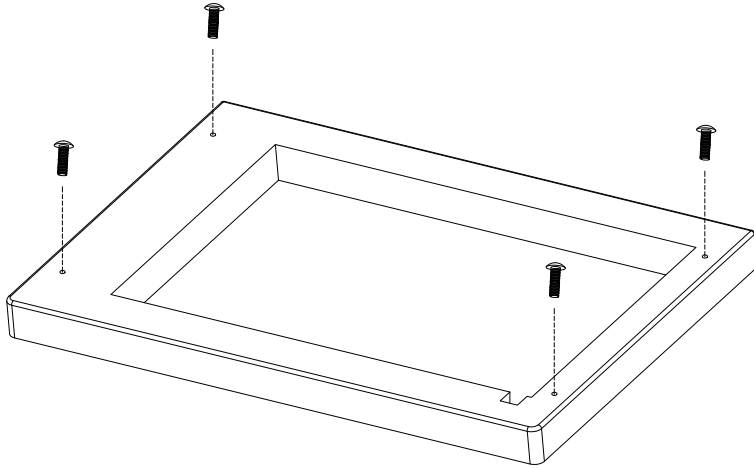


**6****Install countertop.**

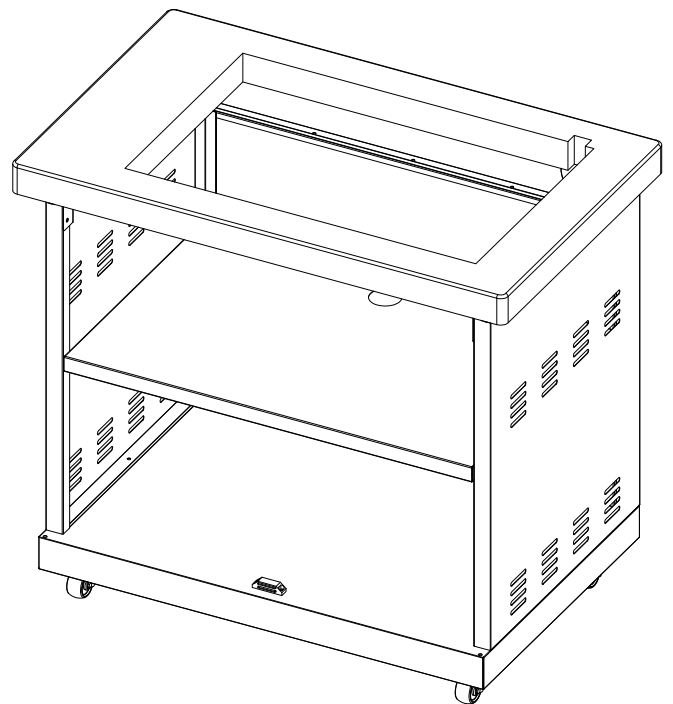
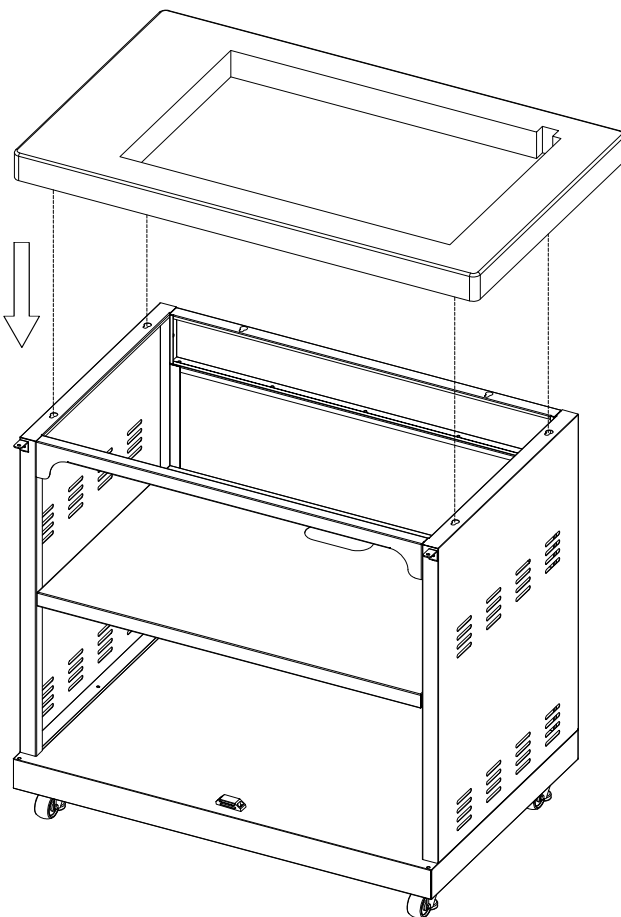
Phillips Head Screw M6X20

Qty.4

1. Pre-install the screws partially on the Table plate  
(Do not tighten to the end).



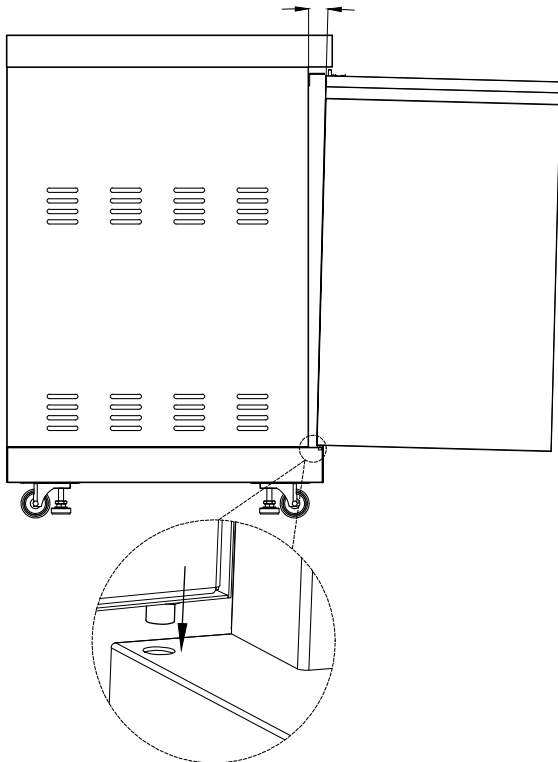
2. Position the pre-installed Screws on the cabinet (**Handle with care**).



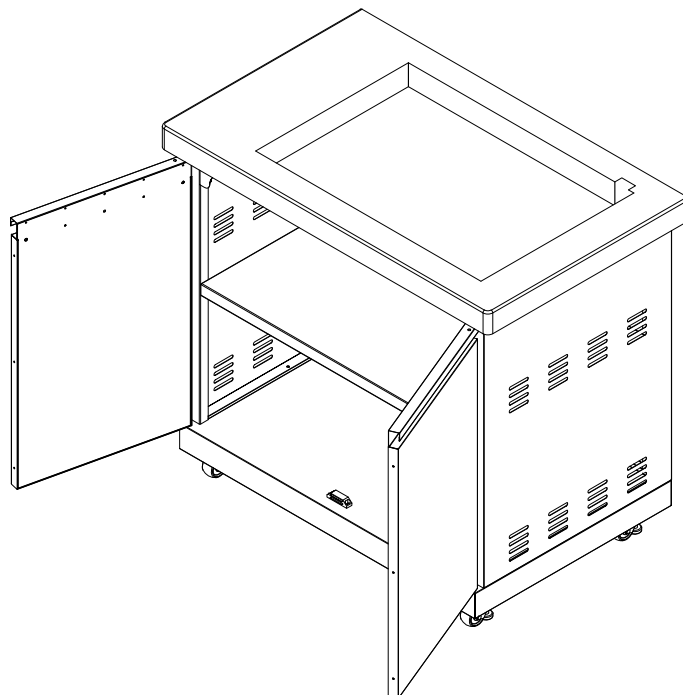
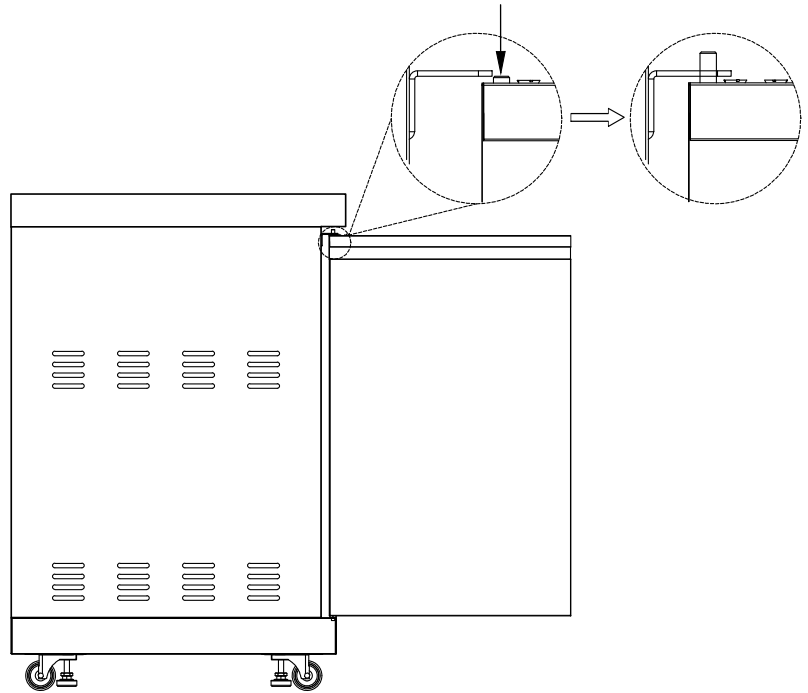
# 7 Install Door

2. Press the latch on the door, and **slide** the door into the hole when the latch is flush with the door support piece.

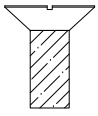
Tilt the door to an angle.



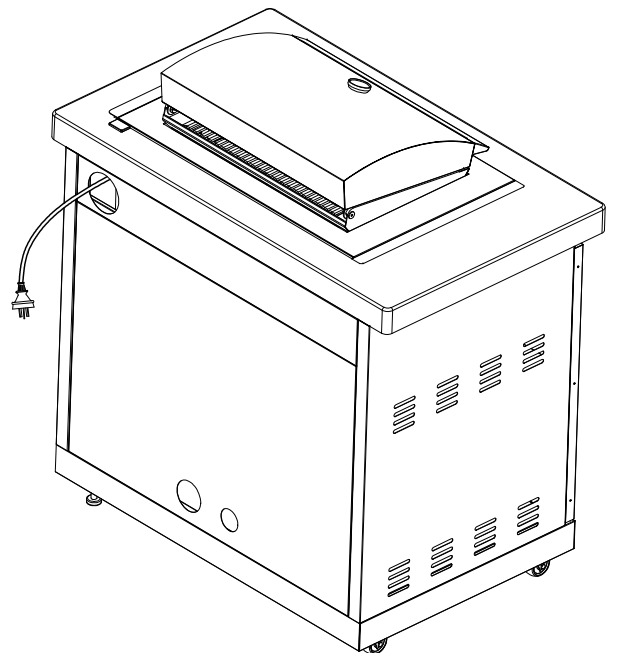
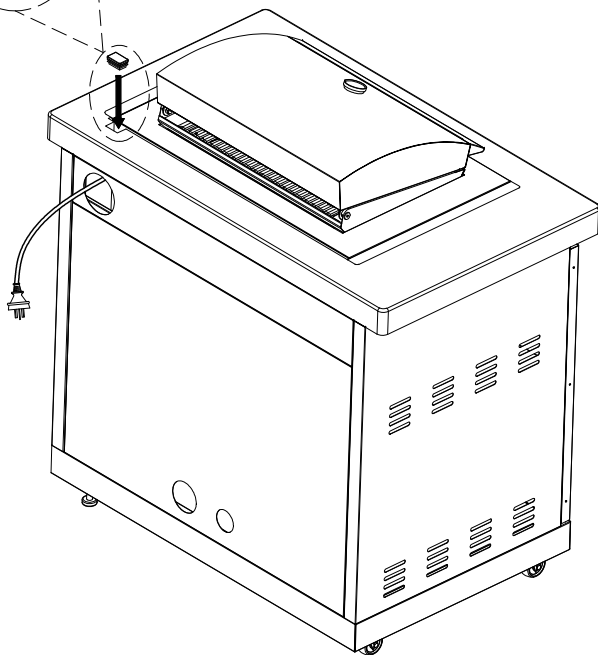
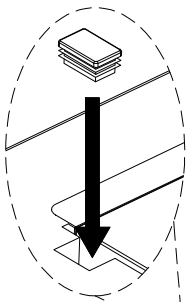
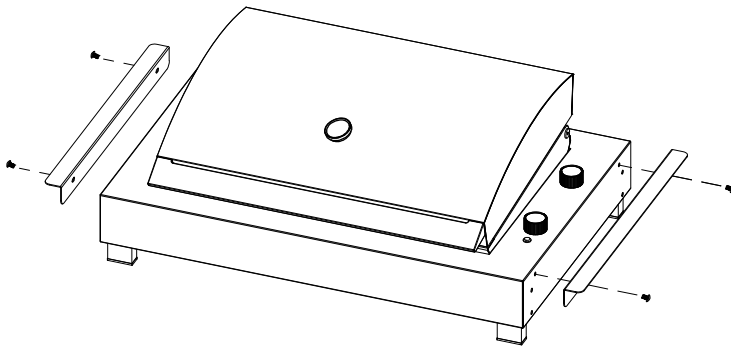
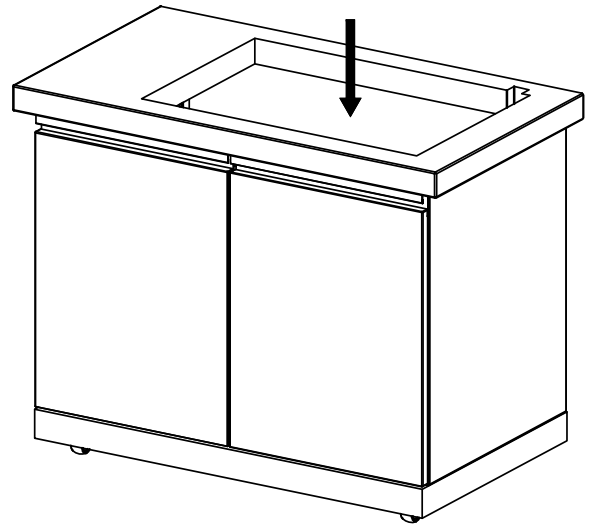
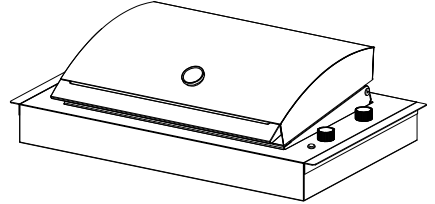
1. Tilt the door and insert to the hole on bottom.



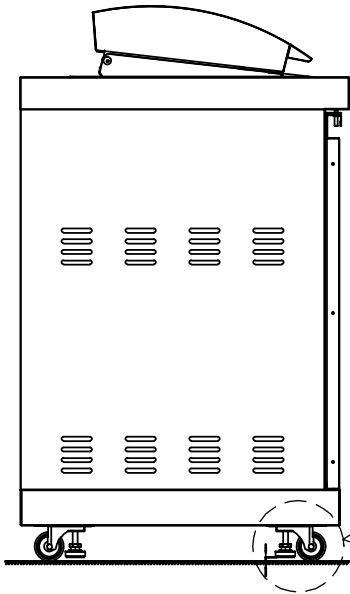
**8** Install Trim brackets.



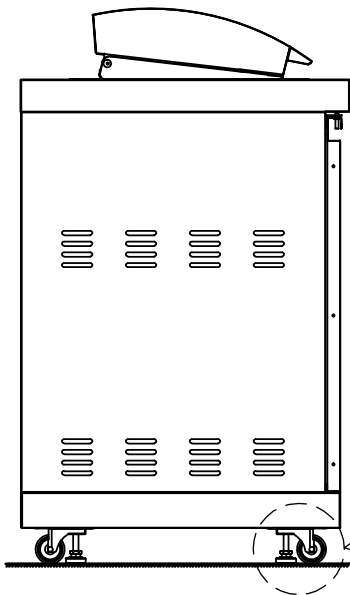
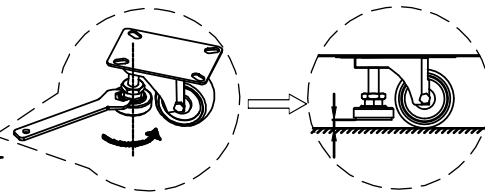
Countersunk Flat Head  
Screw 3/16"x3/8"  
Qty.4



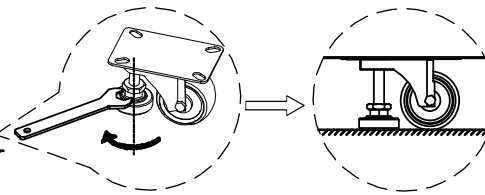
How to adjust the height of the caster with leveling glide.



1. When you want to move the cabinet, please lift the leveling glide with wrench as shown on below image (please keep the leveling glide off the floor 3-5mm).



2. When you want to level the cabinets., please use a wrench (not included) to adjust the leveling-caster. The maximum height of adjustment is 5-6mm.



Thermofilm Australia Pty Ltd  
17 Johnston Court Dandenong South, Victoria, 3175 Australia  
t: 03 9562 3455 e: sales@thermofilm.com.au