

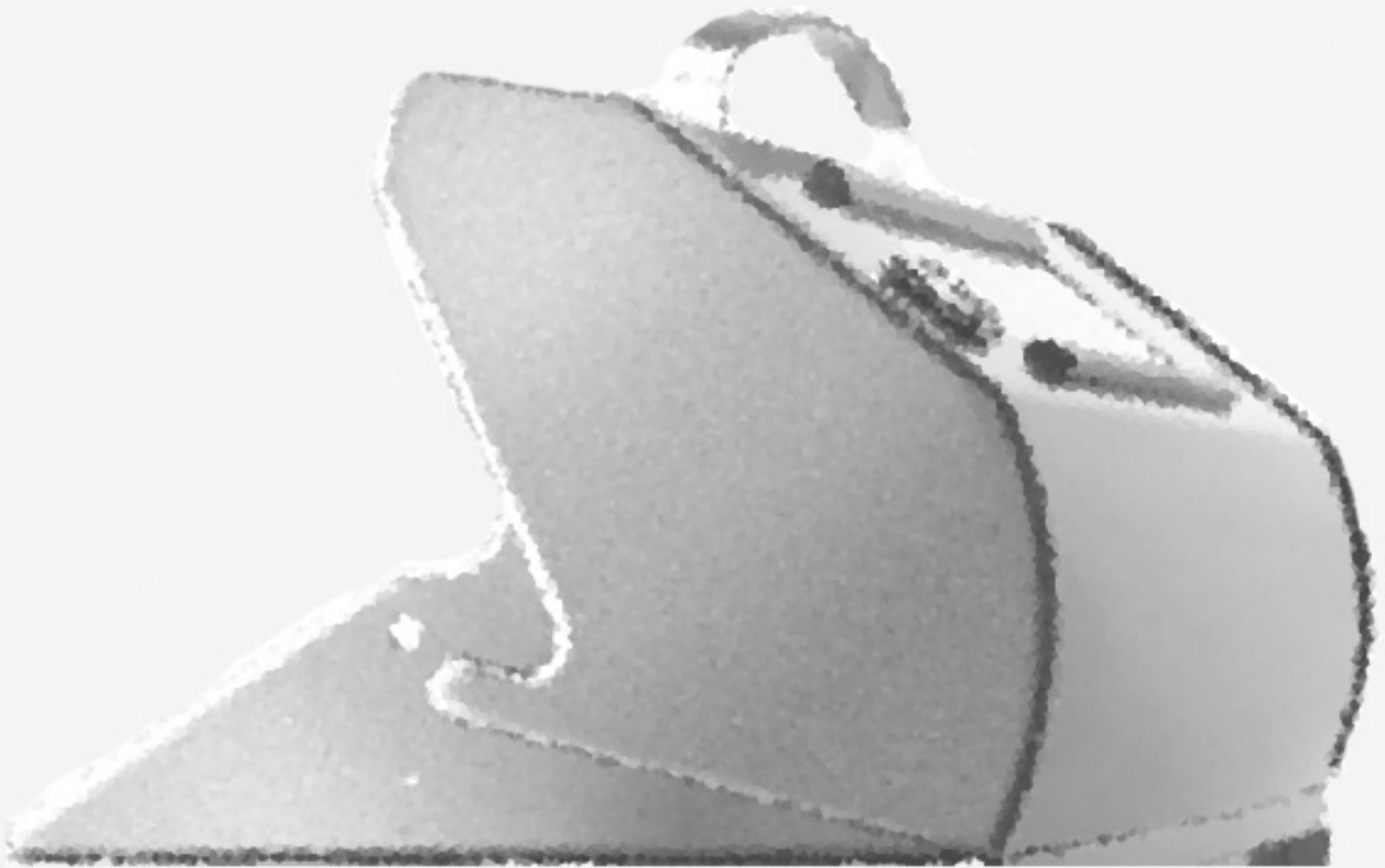
neo

ASSEMBLY, OPERATION & MAINTENANCE INSTRUCTIONS

NEO BRIGHTON 6 BURNER BUILT-IN MODULE WITH SINK

NEO BRIGHTON

FOR OUTDOOR USE ONLY



ASSEMBLY AND MAINTENANCE INSTRUCTIONS FOR NEO BRIGHTON 6 BURNER BUILT-IN MODULE WITH SINK

FOR NEO BRIGHTON OUTDOOR BARBECUES

CONTENTS

SECTION	PAGE NO.
General Safety Instructions	3
Appliance Details	4
Gas Connections	4
Outdoor Installation Guide	5
Cleaning	6
Maintenance	6
Assembly Instructions	7-13

It is important that you retain these instructions, proof of purchase as well as other important documents about this product for future reference.

Due to continual product development, Neo reserves the right to alter specifications or appearances without notice.

Dispose of packaging responsibly – recycle where facilities are available.

IMPORTANT SAFETY INSTRUCTIONS

IMPORTANT: Read the assembly instruction section and safety precautions of this booklet carefully before removing the contents of this carton. If you are unsure about anything regarding your built-in module or barbecue, please contact your Service Centre before operating the appliance.

1. This built-in barbecue module is for **OUTDOOR USE ONLY** (semi-covered areas, protected from wind and rain). This appliance must **NOT** be used indoors. Follow the assembly and operational instructions of your particular barbecue in all ways.
2. Do not use this appliance for any purpose other than what it is intended for.
3. For your safety and enjoyment, read all operating instructions before connecting up the gas supply to your barbecue.
4. Ensure that the product has adequate clearance from combustible materials. The barbecue is designed so that heat will not affect the module. All combustible materials must be kept more than 250mm from the sides of the barbecue and more than 1500mm above the cooking surface of the barbecue. Do not block any of the gaps between the barbecue and the module; these are designed to keep the barbecue and module within their acceptable temperature ranges.
5. Do not fit any barbecue except a Neo Brighton built-in barbecue to the module. Always use the built-in bracket kit supplied with the barbecue.
6. We recommend that you regularly maintain your module and barbecue and keep them in good condition. This can be achieved by following the cleaning and maintenance suggestions in this booklet.
7. Do not use or store this appliance in areas of high salt content (a marine environment) or an area with caustic fumes or liquids (such as a domestic pool), as these chemicals can cause the appliance materials to deteriorate (and void the warranty).
8. The module should be placed on a solid surface (ground, concrete etc) when in use.

IMPORTANT SAFETY INSTRUCTIONS (ELECTRICAL)

IMPORTANT: This section is specifically for Neo Brighton barbecues. Read the safety precautions of the barbecue manual carefully before removing the barbecue from its carton or connecting the barbecue to an electrical supply.

1. Do not immerse any part of the power pack or cables in water. Do not connect or use the lighting system in the rain.
2. The lighting and switch wiring should run out from the rear right hand side of the barbecue, and be directed and contained under the module lip to the right hand side. The power transformer should be fixed high under the same lip, with the power inlet cable directed out the rear of the module.
3. All electrical cables should be stowed within the built-in barbecue module when the barbecue is not in use.
4. The supply cord plug should be removed from the socket-outlet before any cleaning is done.
5. Do not place cord extension sockets or portable power boards where they may be splashed or where moisture may get in.
6. Check periodically for damage to the supply cord and power pack. Do not use a damaged appliance and do not attempt to fix any electrical faults. Contact your Service Centre to have any parts replaced with an equivalent unit.
7. This appliance should be maintained in order to ensure a long, useful life and protect the operator against electric shocks.
8. A safety switch can enhance electrical safety when using this appliance. If in doubt, speak to a local licensed tradesperson.
9. Do not use the electrical system with the power transformer inside the gas cylinder area, as it can act as a point of ignition in the case of gas leakage.

IMPORTANT SAFETY INSTRUCTIONS (WATER)

This module with sink and tap has been designed to be installed by a licensed plumber. The following is NOT supplied with the module:

- a) Water resistant silicone to seal the sink to the countertop.
- b) Water pipes for tap (the tap terminates in 2 short flexible hoses).
- c) Waste water piping from sink (sink supplied with waste water connection only).

Installation must conform to local authority regulations.

APPLIANCE DETAILS

	LENGTH (mm)	WIDTH (mm)	HEIGHT (mm)
Module	1938	598	950

Combustion air is admitted at the underside at the front and rear of the combustion chamber of the barbecue.

NOTE: Take care not to block the venting of the barbecue or the built-in module.

NOTE: When installing, the height of the tap, the positioning of the waste water pipe and water inlet pipes must be taken into account.

GAS CONNECTIONS

FOR PROPANE CYLINDER CONNECTION

1. Consult your barbecue manual for gas connection details. Always place the cylinder in the holder provided (never leave the cylinder outside the built-in module).

NOTE: Make sure the gas cylinder is fully protected from the elements. Only one gas cylinder should be stored inside the built-in module at any one time. Do not fully enclose the cylinder.

FOR NATURAL GAS (NG) CONNECTION

All gas fitting work, service and repairs can only be performed by an authorised person in accordance with AS5601 and local gas regulations.

1. Consult your barbecue manual for NG gas connection details.
2. The supplied flexible hose assembly should be threaded from the NG regulator through the hole at the back of the built-in barbecue module to the bayonet point.

OUTDOOR INSTALLATION GUIDE

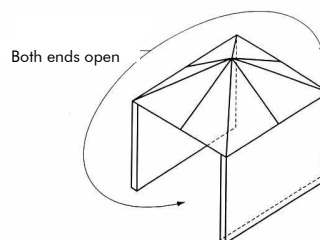
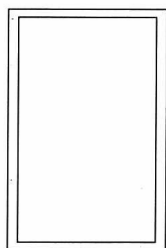
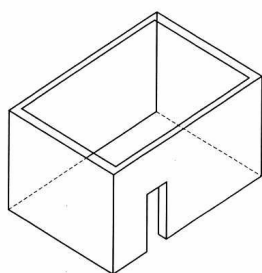
This Appliance shall only be used in an above ground open-air situation with natural ventilation, without stagnant areas, where gas leakage and products of combustion are rapidly dispersed by wind and natural convection.

This appliance **must not** be used indoors. Do not use your barbecue in garages, porches, sheds or other enclosed areas. The barbecue is not intended to be installed in or used on recreational vehicles (e.g. boats, camping vans) and should not be placed close to or under any surfaces that will burn or are sensitive to heat. Do not block/obstruct the flow of air and combustion around the barbecue housing while in use.

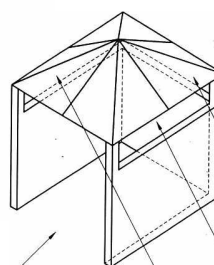
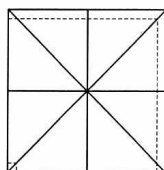
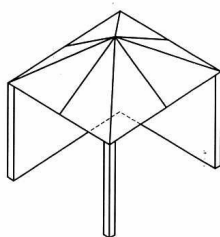
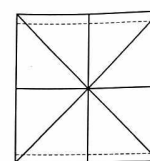
Any enclosure in which the appliance is used shall comply with one of the following:

- An enclosure with walls on all sides, but at least one permanent opening at ground level and no overhead cover.
- Within a partial enclosure that includes an overhead cover and no more than two walls
- Within a partial enclosure that includes an overhead cover and more than two walls, the following shall apply-
 - (i) at least 25% of the total wall area is completely open: and
 - (ii) at least 30% of the remaining wall area is open and unrestricted.

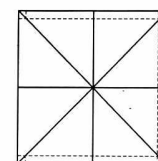
In the case of balconies, at least 20% of the total of the side, back and front wall areas shall be and remain open and unrestricted.



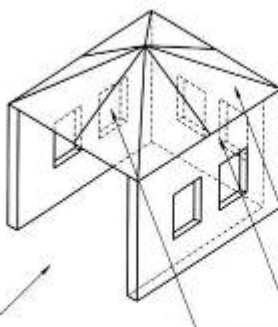
Both ends open



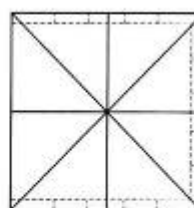
Open side at least 25% of total wall area



30% or more in total of the remaining wall area is open and unrestricted.



Open side at least 25% of total wall area



30% or more in total of the remaining wall area is open and unrestricted.

CLEANING

For information on cleaning your barbecue, consult the barbecue manual.

Before cleaning, ensure the barbecue and built-in module have both cooled and are safe to touch. Surfaces can be cleaned using a mild household detergent or cleaner and a clean cloth (do not use scourers or harsh detergents). **It is advisable to test cleaners on a small section of the appliance first. NEVER** use paint thinners or similar solvents for cleaning and **NEVER** pour cold water over hot surfaces. Dry the surface afterwards. **Do NOT** use high pressure cleaners or steam cleaners, as this can damage the module surface causing it to break down and lift away. The wooden chopping board should be cleaned and dried after use (to prevent warping).

STORAGE

When the appliance is not in use, the gas supply/cylinder valve must be turned **OFF** and the cylinder must be stored outdoors in a well ventilated area. The cylinder can be stored within the built-in barbecue module as long as the ventilation is not blocked.



WARNING: STORE CYLINDER IN A WELL VENTILATED AREA OUT OF REACH OF CHILDREN

When the gas cylinder is disconnected, replace the plug or cap on the valve outlet.

A built in barbecue cover can be placed over the appliance for extra protection. It is recommended that if the built-in barbecue module also needs extra protection, that a tarpaulin be purchased and fixed around the appliance.

MAINTENANCE

It is recommended that, at the commencement of each barbecue season, the following maintenance be conducted on the built-in barbecue module.

GENERAL

1. Check all fasteners for tightness and re tighten where necessary to ensure rigidity of the structure.
2. Check that the separation panel is firmly fixed in place. This includes the small fixing panel around the gas hose.
3. Check for insect infestation and clean out any cobwebs.
4. Check that all vents are fully open and not blocked.
5. Check for any leaks at the water inlet pipes and at the waste water pipes.
6. Check the seal around the sink, as this can deteriorate over time and allow water to seep into the module.

**For all service and assembly enquiries call:
In Australia: 1300 766 066
In New Zealand: (09) 415 6000**

Refer to the warranty card regarding your product details prior to calling.

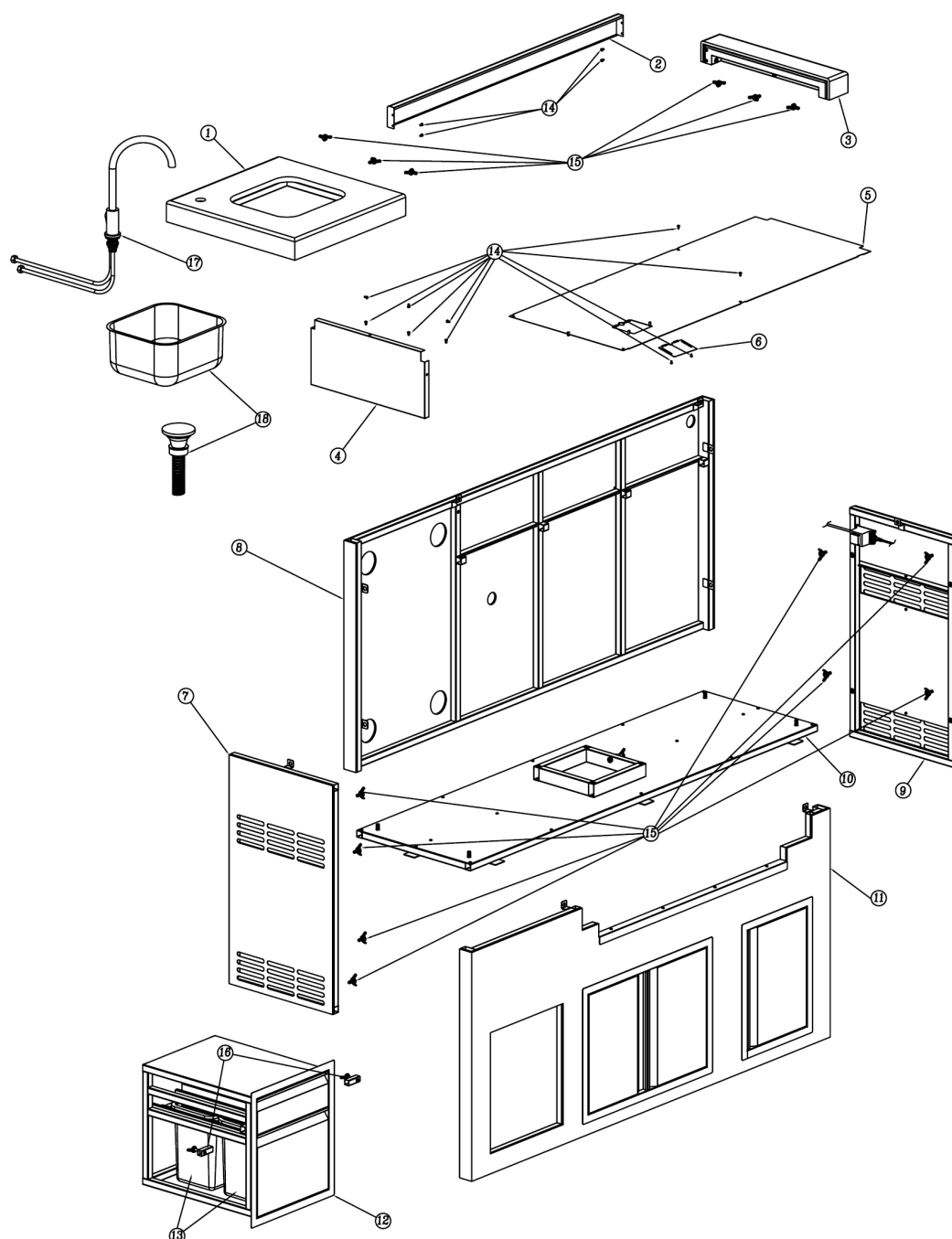
ASSEMBLY INSTRUCTIONS

PART	NAME	SIZE (LxWxH)mm	QTY	PART	NAME	SIZE (LxWxH)mm	QTY
1	Left Countertop	598x598x80	1	10	Base Panel	1918x578x77	1
2	Rear Top Panel	1237x32x80	1	11	Front Panel	1935x83x883.5	1
3	Right Countertop	100x598x80	1	12	Drawer Assembly	448x531x508	1
4	Sink Separation Panel	530x246.5x22	1	13	Bin	280x210x290	2
5	Separation Panel	1355x538x0.6	1	14	M4 Screws	M4-12mm	14
6	Hose Seal Plate	130x118x0.8	1	15	Butterfly Screws	M8-20mm	14
7	Left Side Panel	479x53x883.5	1	16	Drawer Brackets	20x20x60	2
8	Rear Panel	1935x83x883.5	1	17	Tap Set	400x230x60	1
9	Right Side Panel	479x53x883.5	1	18	Sink + Waste	380x350x300	1

Remove all components from the cartons and carefully check against Parts List. Make sure you thoroughly inspect parts before assembly. Some assembly will require the use of a Phillips Drive screwdriver. Neo recommends that the assembly be done by 2 (or more) people due to the size and weights of the components.

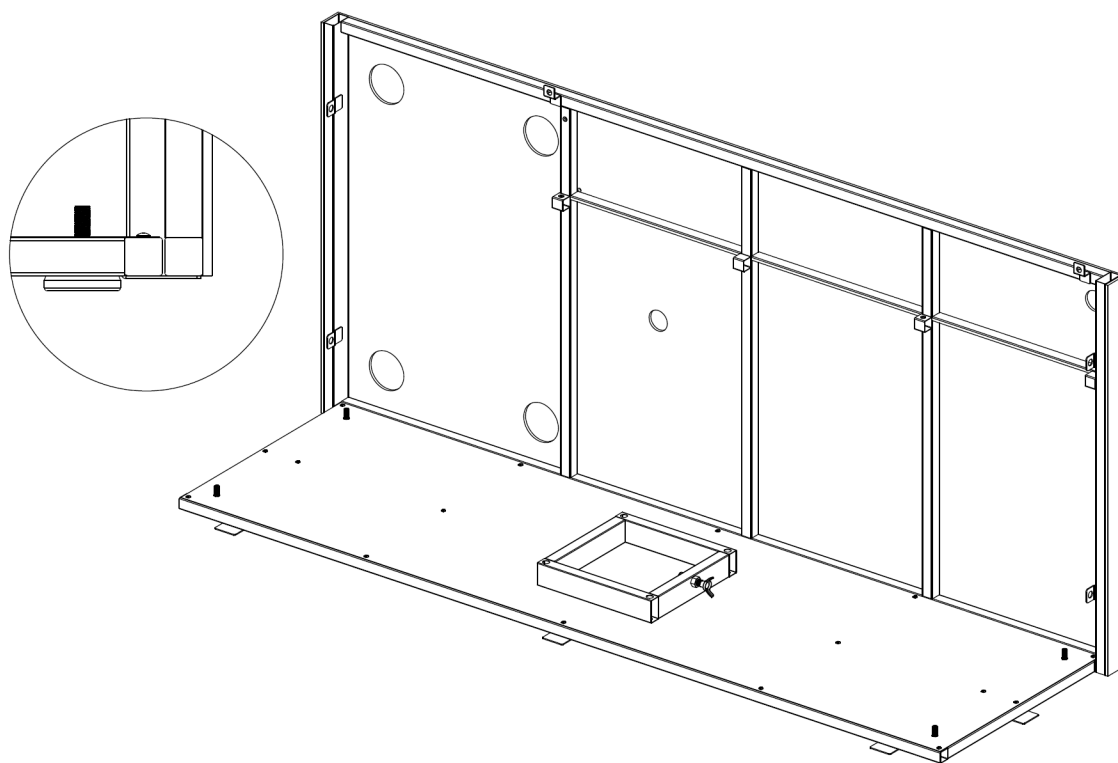
NOTE: The module should be assembled on a clean, flat surface (best protected by cardboard or an old sheet). As the module is extremely heavy (in excess of 110kg) this should be done as close to its final destination as possible.

NOTE: The BBQ lighting power supply should be fixed in place any point after step 6.



STEP 1

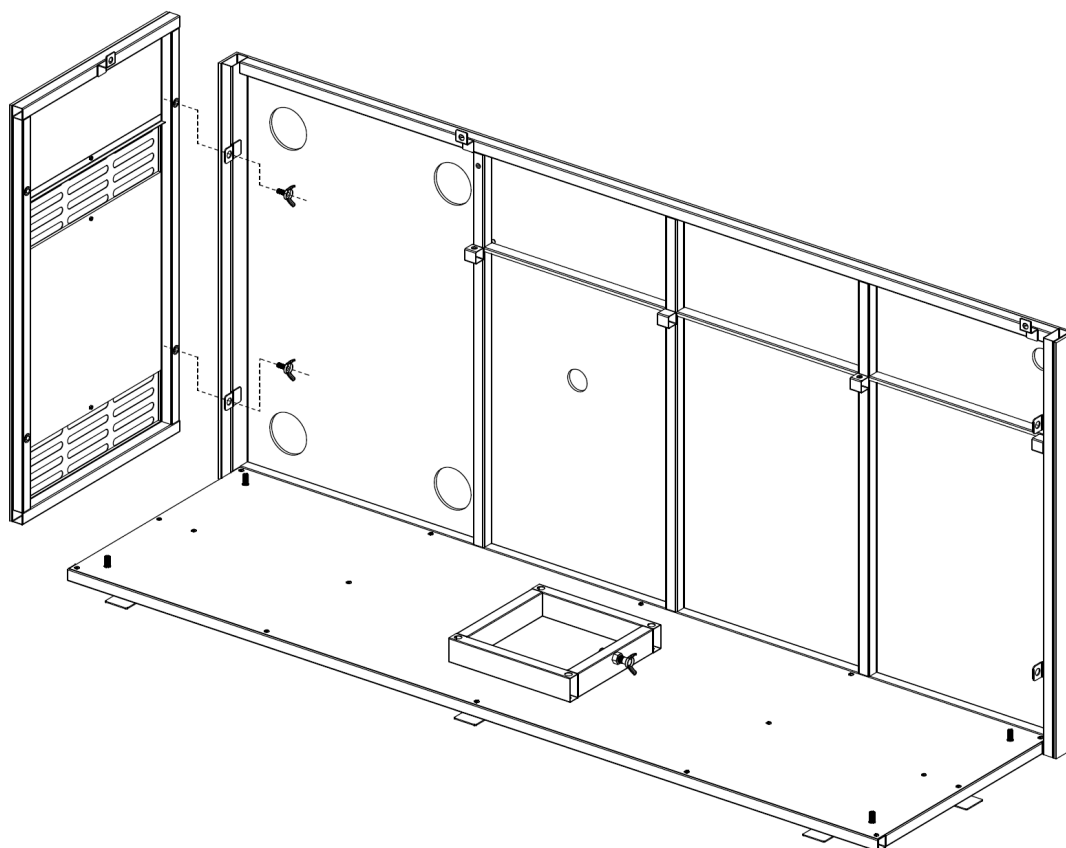
Place base panel (10) on the ground and push rear panel (08) up against it (it should be supported by the lower tabs). Note orientation of holes and cylinder drawer.



STEP 2

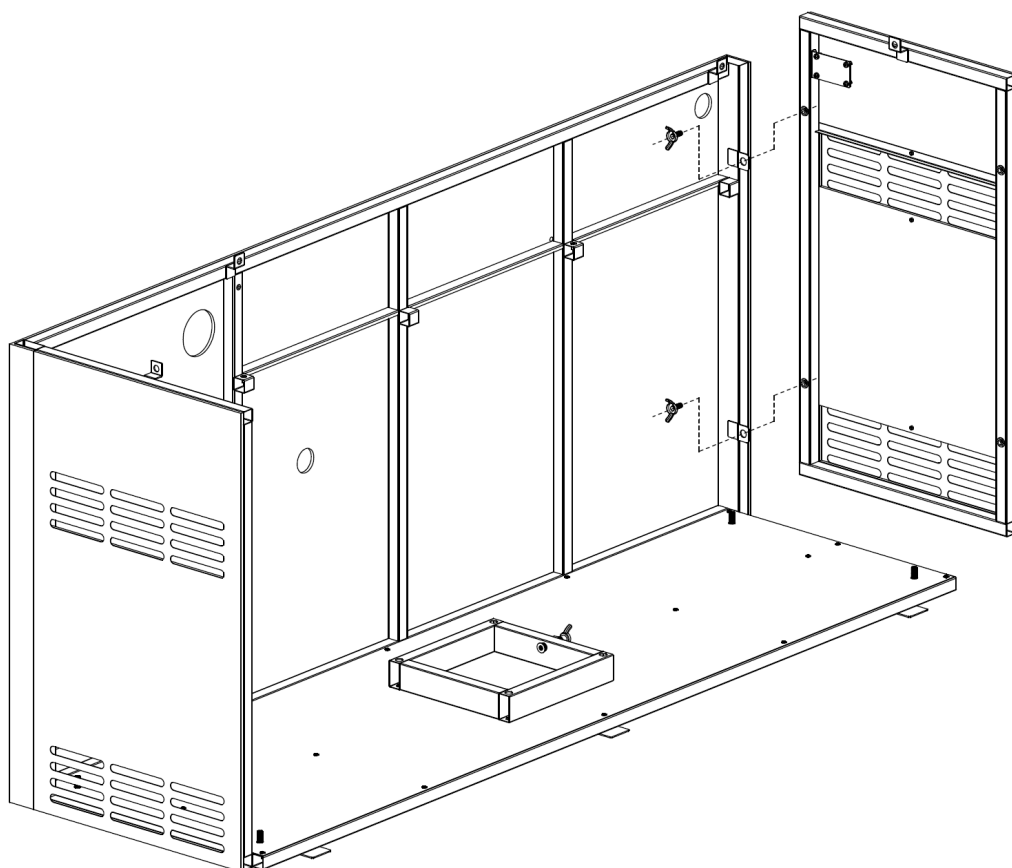
Place left side panel (07) on the tabs of the base panel (left hand side) and fix to the rear panel brackets with 2 butterfly screws (15).

Note: The left side panel differs from the right side panel as it does not have the internal panel for mounting a power adaptor.

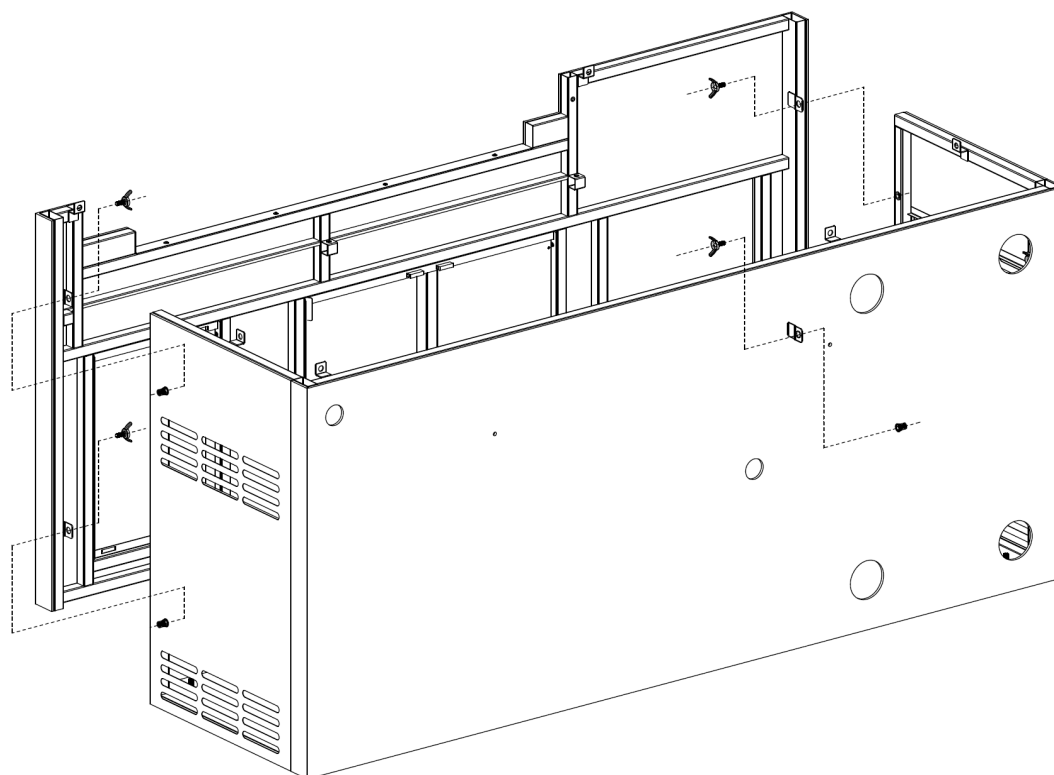


STEP 3

Place right side panel (09) on the tabs of the base panel (right hand side) and fix to the rear panel brackets with 2 butterfly screws (15).

**STEP 4**

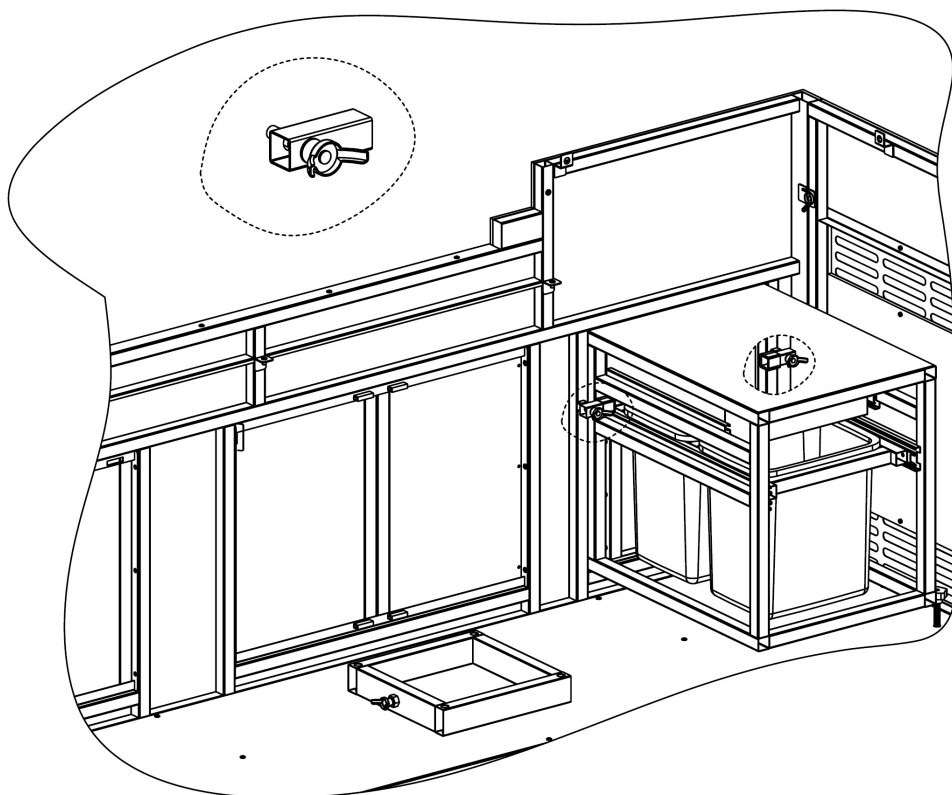
Place the front panel (11) (complete with access doors) on the front tabs of the base panel. Slide the brackets inside the left and right side panels and fix in place using 4 butterfly screws (15). Check that the structure is square, and that all of the screw holes line.



STEP 5

Place the drawer assembly inside the rectangular hole at the left hand side of the front panel and carefully push inwards until the front surround is in line with the front panel. From the inside, fix at the back using the two drawer brackets with butterfly screws (16). Check that the assembly is secure and that the drawers move smoothly.

NOTE: If the assembly is too heavy, the bins (13) and top drawer can be removed and replaced later.



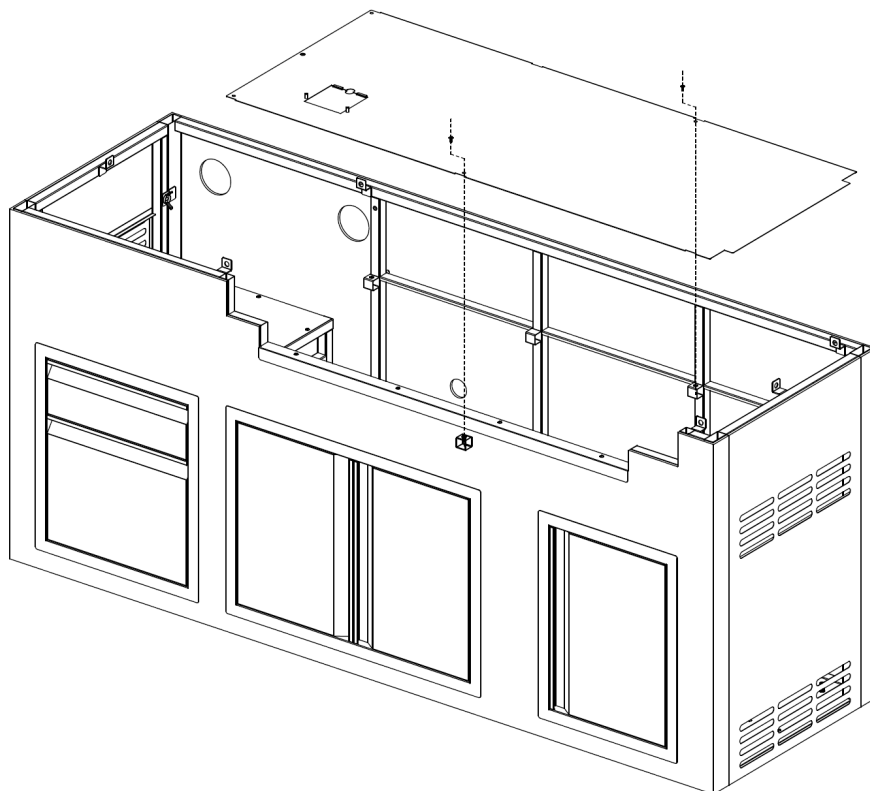
STEP 6

Carefully fit the separation panel (05) into the top of the module and rest it on the supports to the right hand side of the module. Align all screw holes and fix in place with 2 M4 screws (14). The hose access hole should be at the front left hand side.

Note: The separation panel (05) is an important part of the module and keeps gas from leaking from the lower cabinet section to the barbecue above and igniting in case of a leak. The separation panel is flexible to make it easier to fit into the combined space.

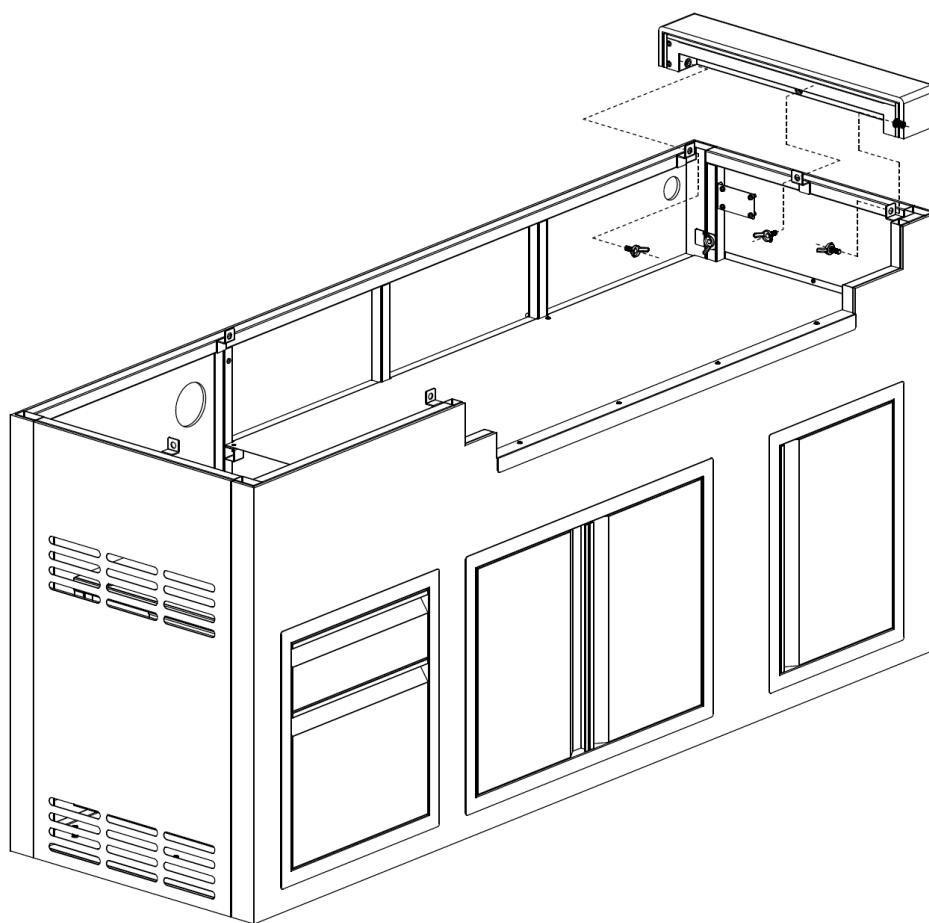
Note: If the hose seal plate (06) is attached to the separation panel, remove before fitting.

Note: If the panel is hard to fit, remove the top two butterfly screws at the right hand side, fit panel and then replace butterfly screws.

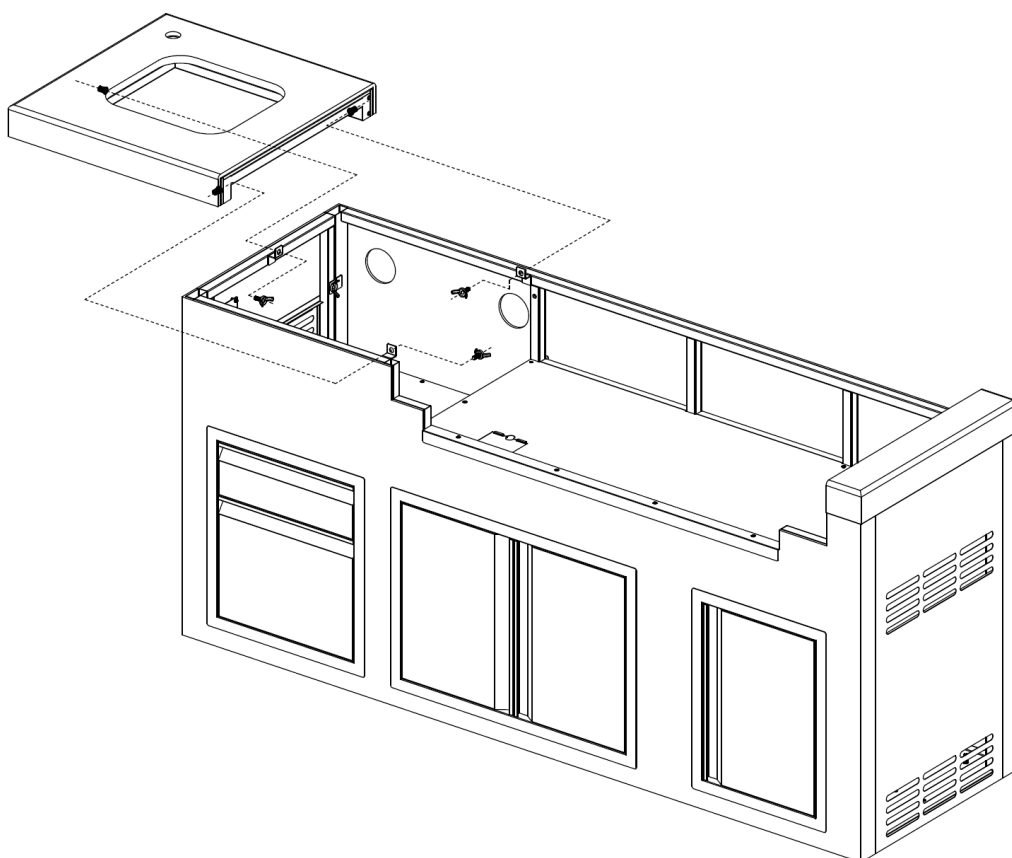


STEP 7

Place the right countertop (03) over the 3 brackets on the right side of the module. Fix in place with 3 butterfly screws (15).

**STEP 8**

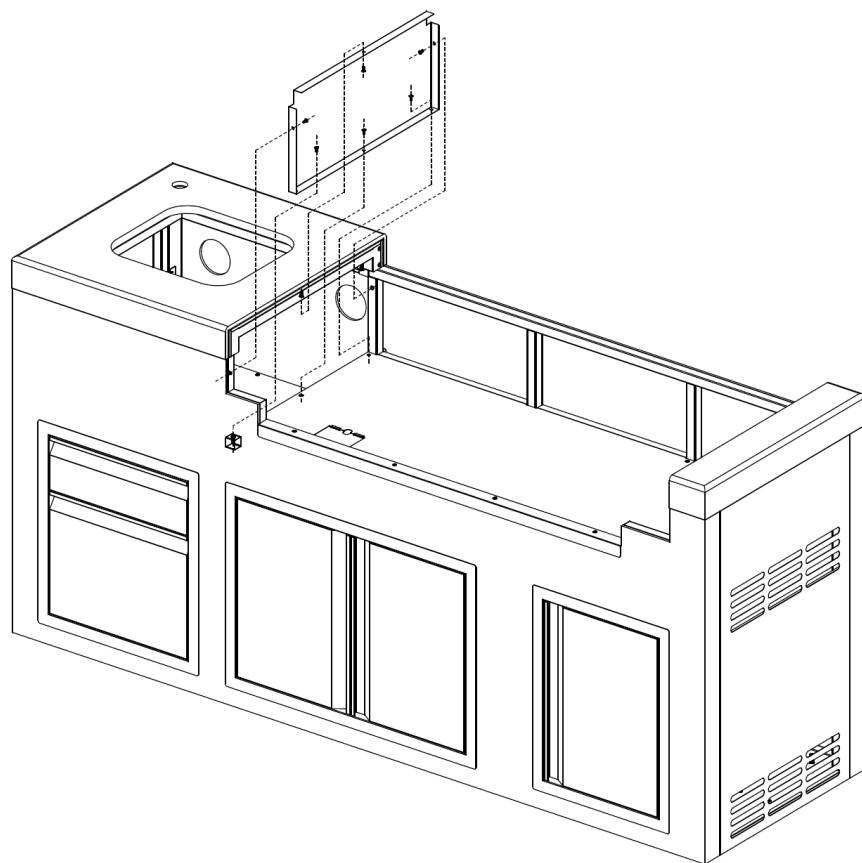
Place the left countertop (01) over the 3 brackets on the left side of the module. Fix in place with 3 butterfly screws (15).



STEP 9

NOTE: The fitting of the tap and sink can be done at this point, as there is easier access to the inside of the cabinet from the side and through the sink recess. Neo recommends that the installer takes note of the particular circumstances of the installation and weigh up whether to install the tap and sink before or after the barbecue has been fitted.

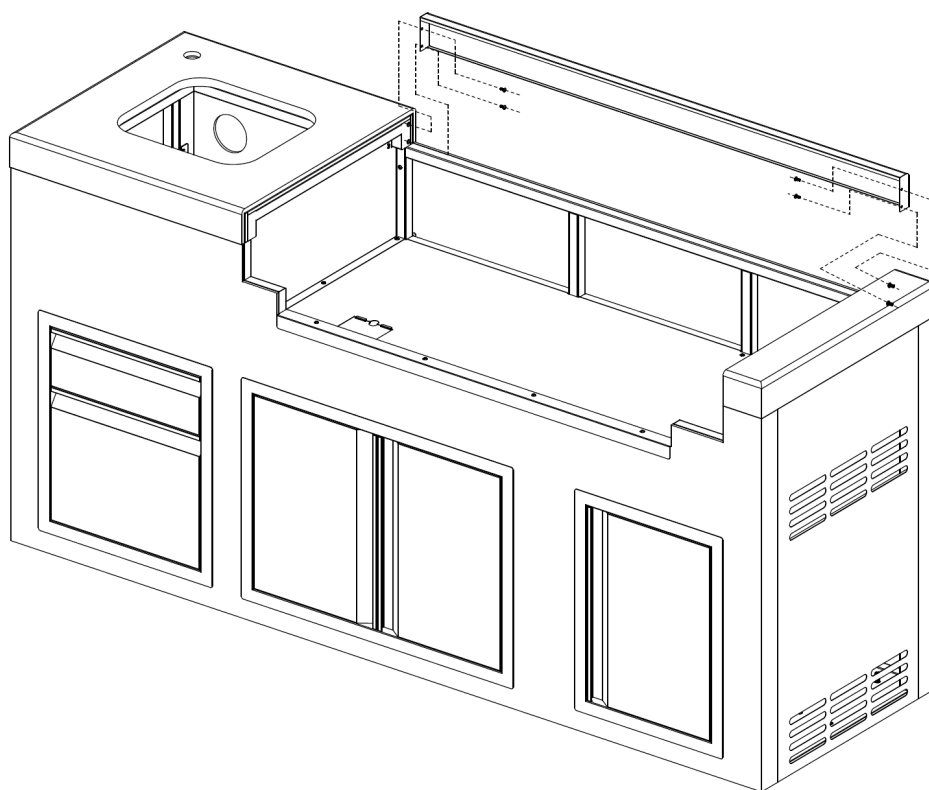
Place the sink separation panel (04) between the separation panel and the left countertop and fix in place with six M4 screws (14). Note: The sink separation panel (04) is an important part of the module and keeps gas from leaking from the lower cabinet section to the barbecue above and igniting in case of a leak.



STEP 10

Place the rear top panel (02) at the back of module, align the holes and fix into place with 4 M4 screws (14).

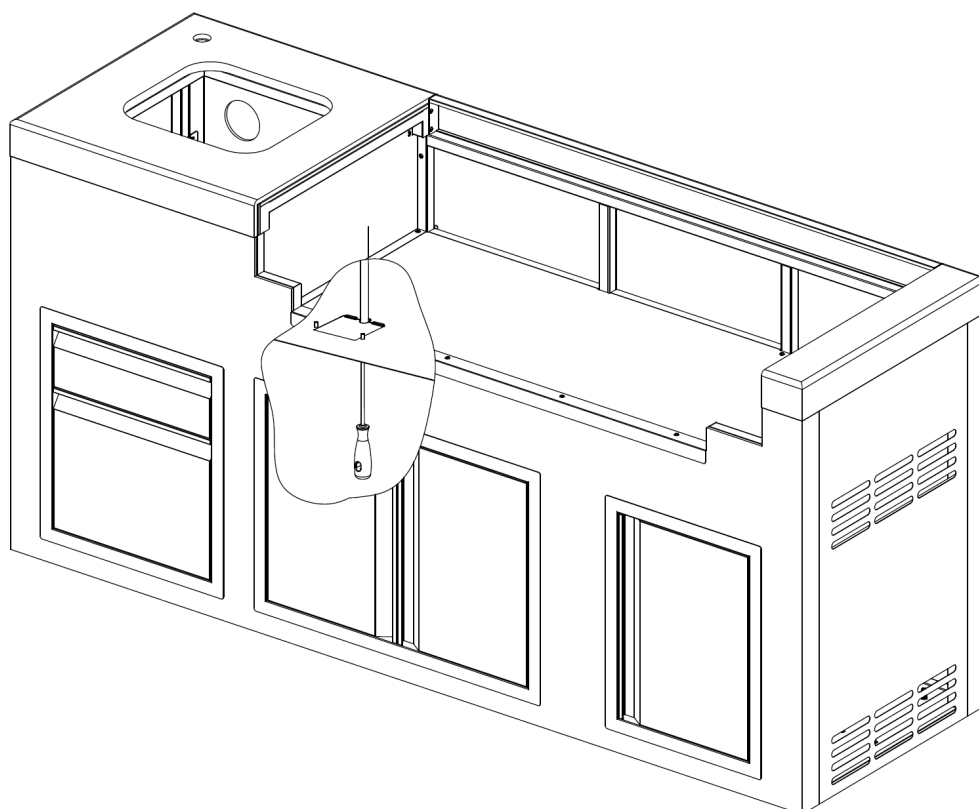
Once the rear top panel is fitted, the Neo Brighton barbecue is ready for installation. Make sure the hose sealing plate has been removed from the separation panel and fit the barbecue as per the barbecue instructions.



STEP 11

For ULPG: With the barbecue in place, the gas inlet hose should run through the rectangular hole. From inside the module, place the hose sealing plate (06) over the rectangular hole so that the hose is trapped in the recess, and fit into place with two M4 screws (14).

For NG: The plate can be left off if a flexible hose is used (the recess on the plate is too small for the larger diameter NG hose), but can be fitted if hard plumbed to help stop water from dripping through the hole.



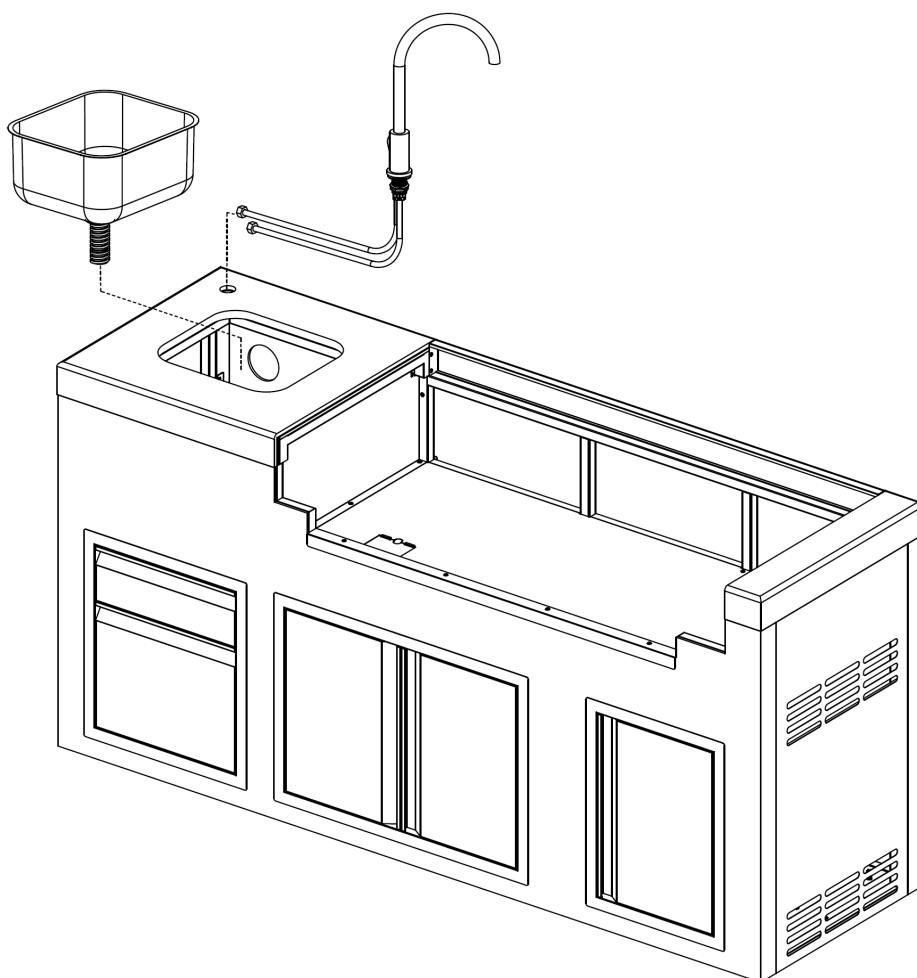
STEP 12

Place the tap in the small hole in the left countertop. Follow the instructions supplied with the tap for fixing into place.

Take the sink and add the waste connections to the bottom. Place a bead of clear water resistant silicone along the bottom edge of the sink and place it in the large hole in the left hand countertop. Clean off any spillage and let dry per the manufacturer's recommendations.

The tap hose connections and sink waste water piping must now be connected up by a licensed plumber.

The module is supplied with a wooden cover/chopping board for the sink. This can be added last.



neo



neo

A division of Shiro Australia Pty Ltd
104 Vanessa St Kingsgrove NSW 2208
Australia: 1300 766 066

IM Ref: 6BIMGT17 11/2017/04FC

FOR OUTDOOR USE ONLY

