

Installation Instructions AGF Professional 1500



A GRADE FINISH CANOPIES

Quality Guaranteed

Index

1. Welcome	3
2. Safety	4
3. Item check list	5
4. Installation	6
5. Operation	13
6. Maintenance	15
7. Technical support	19
8. Warranty	19

A GRADE FINISH CANOPIES

Quality Guaranteed

1. Welcome

Congratulations on your purchase of AGF Professional 1500 Rangehood

Please make sure to read through the installation instructions prior to installing the unit as it contains important information.

Please make sure you follow these installation instructions as they contain vital safety information.

Be sure to keep your proof of purchase as this will be needed for warranty.

This canopy rangehood is an indoor appliance and has been manufactured and tested to comply with **Australian Standard/New Zealand AS/NZS60335.2.31:2004 inc amendment 1 & 2**

The Rangehood is marked with the **Regulatory Compliance Mark** to show it has been approved



A GRADE FINISH CANOPIES

Quality Guaranteed

2. Safety



Please read this section prior to operating this unit.

If you find the rangehood is damaged in anyway please do not install and contact A Grade Finish Canopies ASAP on (03) 9355 7100.

This appliance is not intended for use by young children or infirm persons without adequate supervision.

There is a fire risk if cleaning is not carried out in accordance with the instructions.

Do Not Flambé under the rangehood

There should be adequate ventilation of the room when the rangehood is used at the same time with appliances burning gas or other fuels.

You must read the details concerning the method and frequency of cleaning.

The appliance is supplied with an approved power cable. If the supply cord of this equipment is damaged, it must only be replaced by the manufacturer, its service agent or similarly qualified person in order to avoid hazard.

Always switch power off prior to installing, servicing or cleaning the appliance.

3. Item Check list

1. AGF PROFESSIONAL 1500 RANGEHOOD BOX
2. AGF310 ROOF MOUNT FAN
3. 2 x 700mm OF SOILD 305MM DUCTING

AGF PROFESSIONAL 1200 RANGEHOOD BOX CONTENTS

- 1 x rangehood (including filters)
- 1 x 2 piece telescopic flu
- 1 x top flu mount bracket
- 2 x 5 meter flexible duct
- 2 x joiner
- 1 x 3 way junction
- 2 x flue support bracket

Not included in box

All fixings

Roof seal kit (Dektite)

Silicon

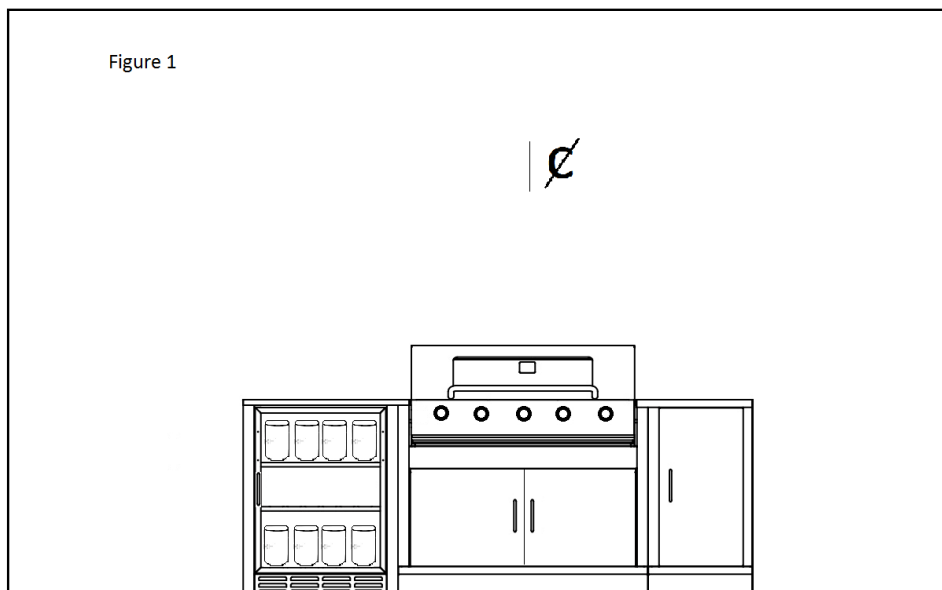
A GRADE FINISH CANOPIES

Quality Guaranteed

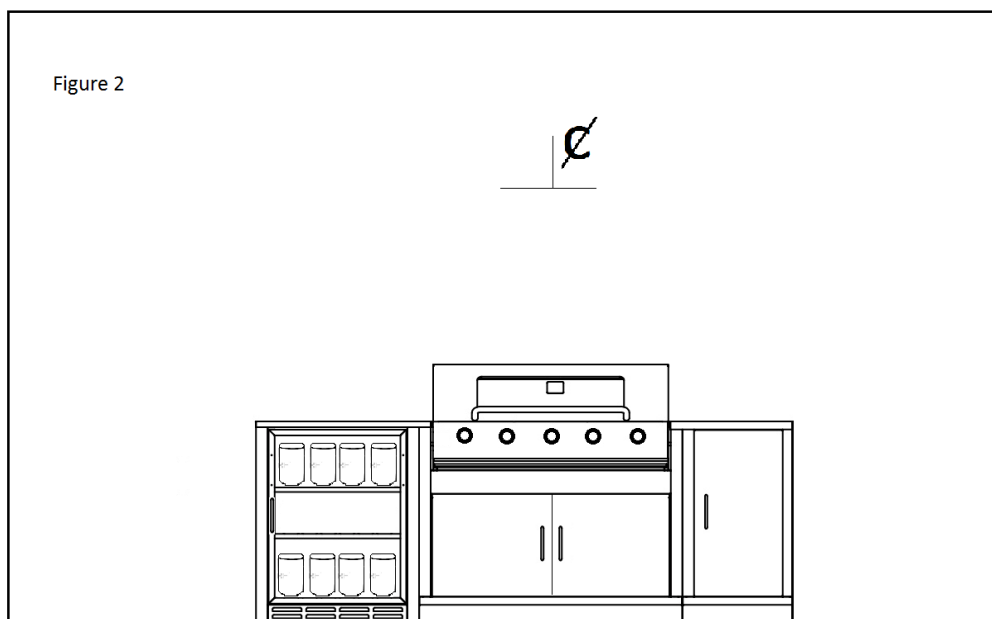
4. Installation

Step 1: Open box and check there is no damage to the rangehood (if there is any damage please contact a grade finish canopies on (03) 9355 7100)

Step 2: Mark out the centre of where you wish to install the rangehood. (see figure 1)



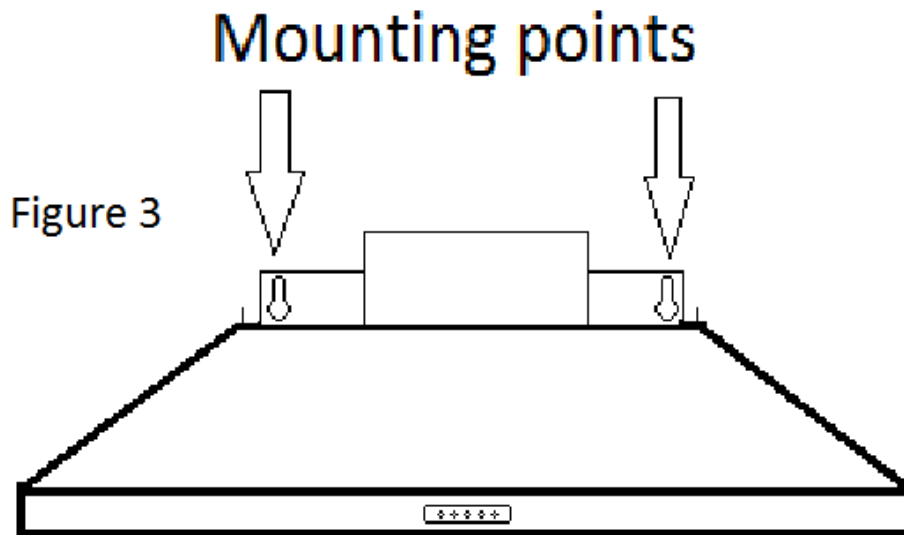
Step 3: Mark out the height that your rangehood is to be installed at. (see figure 2)



A GRADE FINISH CANOPIES

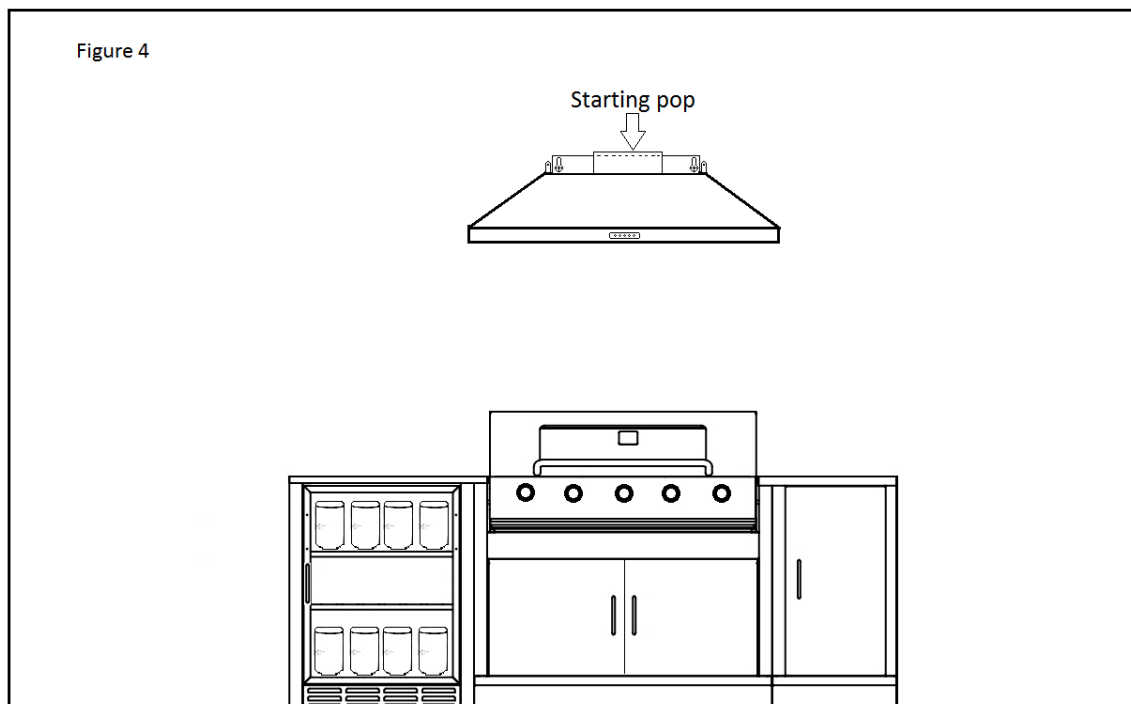
Quality Guaranteed

Step 4: Hold rangehood up to the marks (step 2 and 3) and mark the mounting points. (See figure 3)



Step 5: Screw fixings into marks for mounting

Step 6: Hang the rangehood and tighten to fix to the wall. (See figure 4)



A GRADE FINISH CANOPIES

Quality Guaranteed

Step 7: cut a hole in the ceiling above the rangehood to enable the flexible ducting and power cables to pass through easily.

Be sure not to make the hole bigger than then the flue cover.

The hole will need to be big enough to be able to pass the power cables though to the ceiling.



A GRADE FINISH CANOPIES

Quality Guaranteed

Step 8: Installing the solid ducts

For this step you will need to mark out where the ducting is to pass through the roof.

Make sure that when marking out the location of the ducting it is next to a beam (for support)

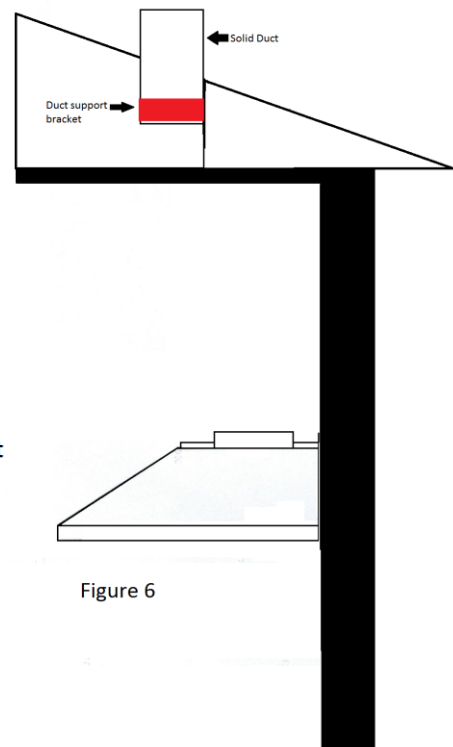
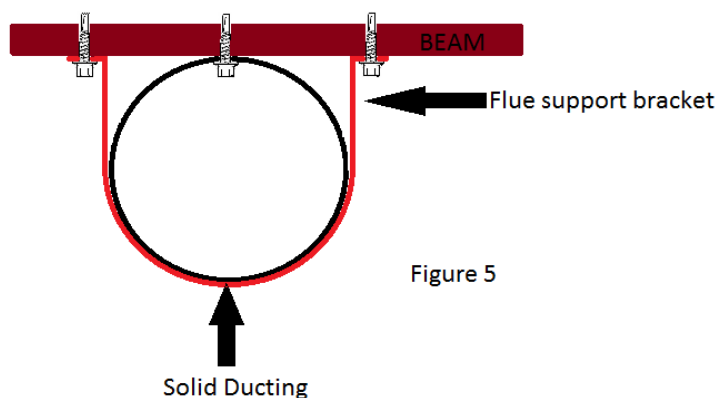
With the location of the ducting confirmed cut the hole out in the roof to enable the ducting to pass through the roof leaving 250mm outside the roof.

Screw the ducting into a beam for support.

Install the flue support bracket to the beam and screw to the duct (see figure 5 / 6)

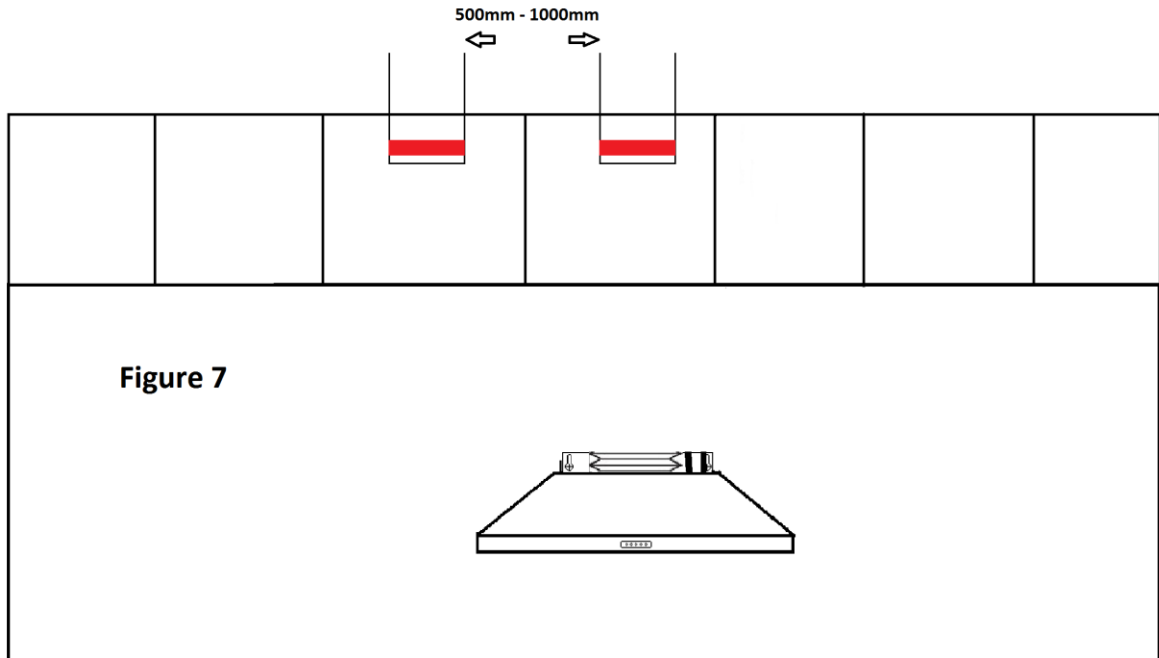
Repeat for the second duct.

Please leave a minimum gap of 500mm between the solid ducts (see figure 7)

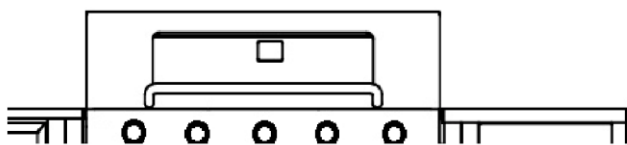
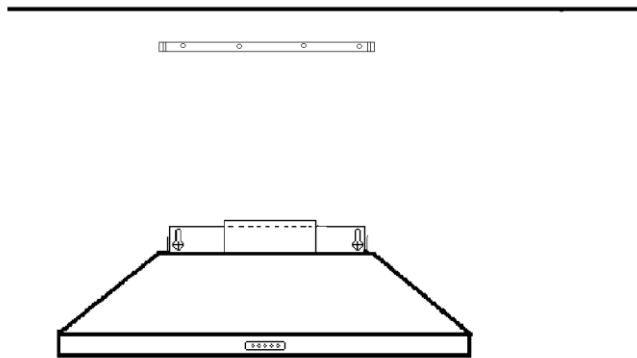


A GRADE FINISH CANOPIES

Quality Guaranteed



Step 9: install the flue cover bracket 150mm down from the ceiling (see figure 8)

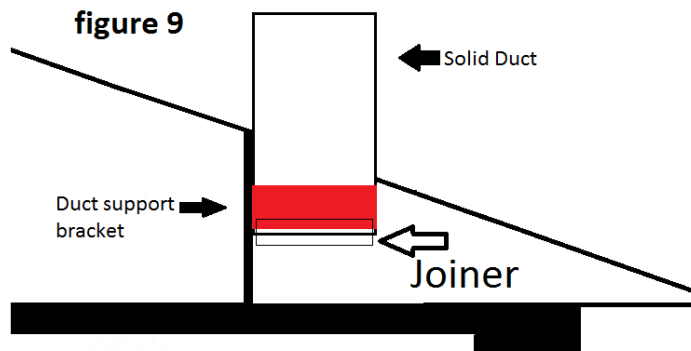


A GRADE FINISH CANOPIES

Quality Guaranteed

Step 10: Installing the flexible duct to the solid duct and connecting the 3 way junction.

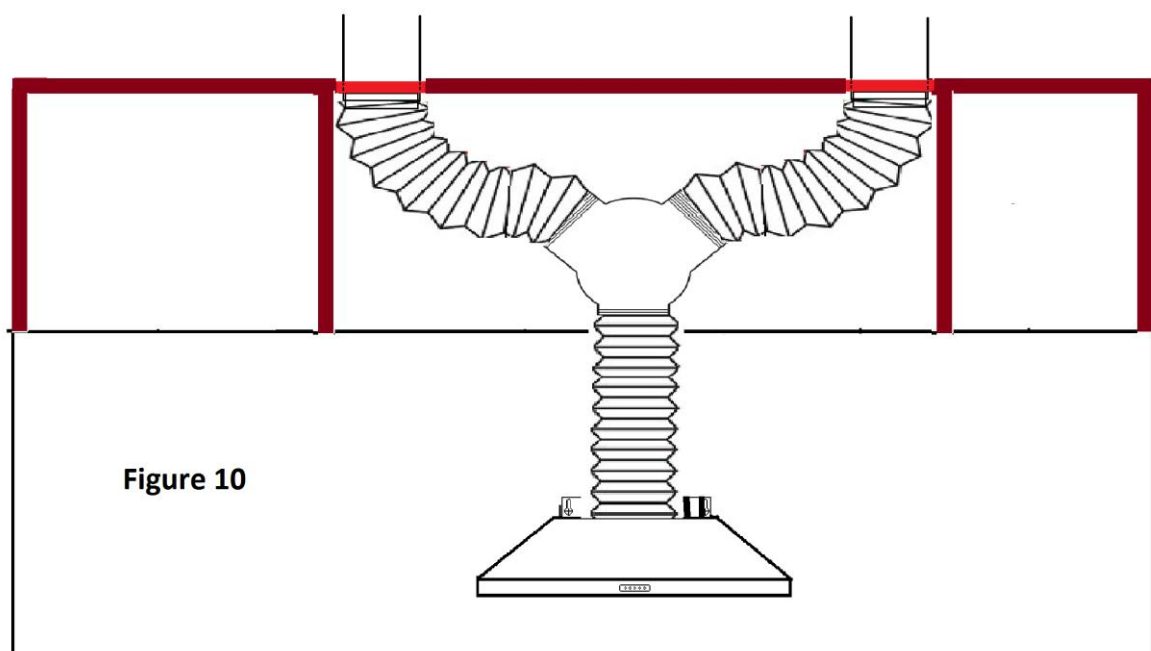
Install the joiner to the bottom of the solid ducts and secure with screws leaving about half of the joiner out the bottom to allow for the flexible ducts to connect to. (See figure 9)



Connect one end of the flexible duct to the stating pop on the rangehood. Secure this with some PVC duct tape. See figure 9

Pass the flexible duct through the hole in the ceiling and connect to the 3 way joiner. Secure with PVC duct tape.

Connect the flexible to the solid ducting and the 3 way joiner and secure with PVC duct tape.



A GRADE FINISH CANOPIES

Quality Guaranteed

If you need to install the flexible duct with a bend do not make the bend too sharp as this can restrict airflow see figure 11 as an example for correct instalment of bend

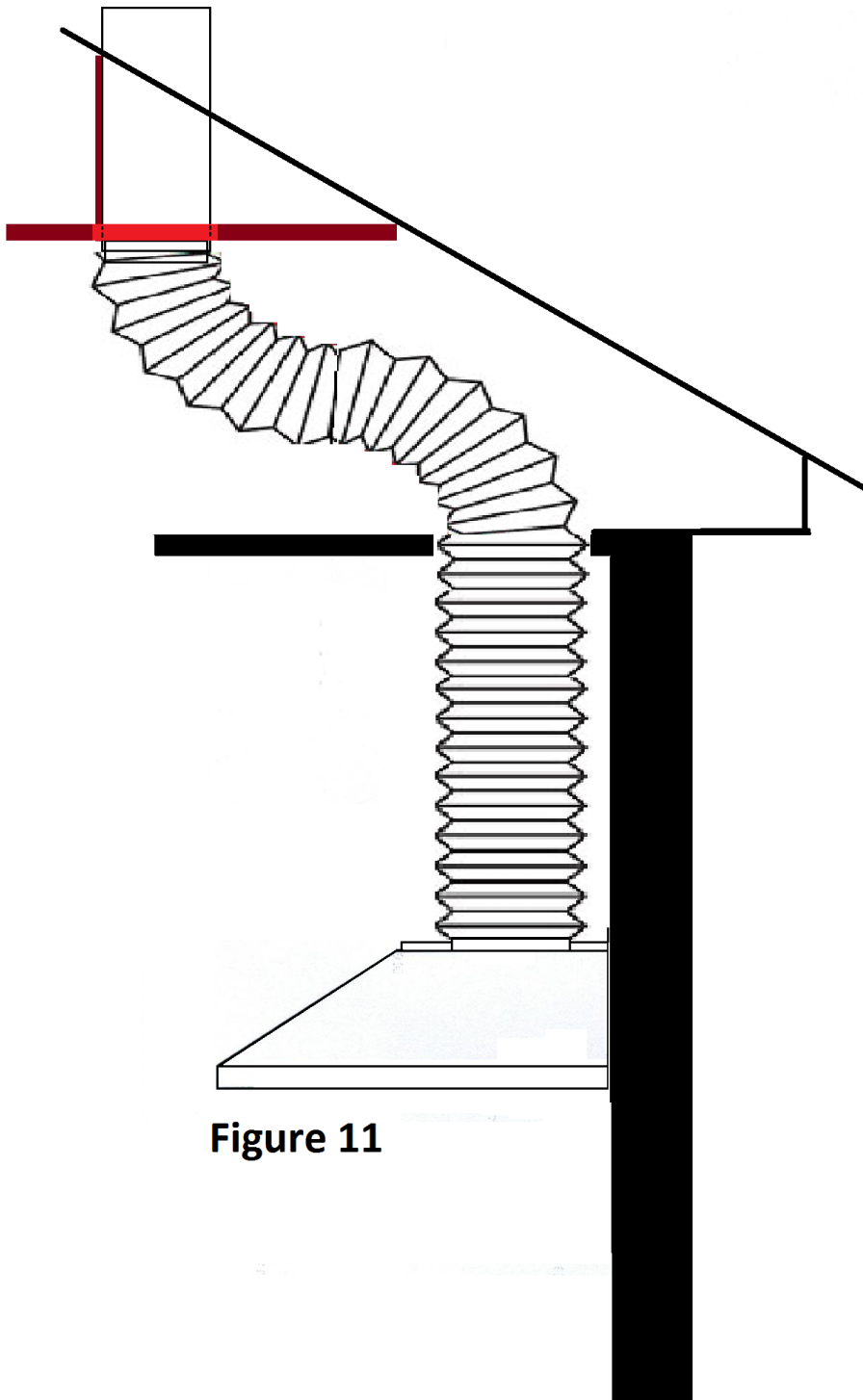


Figure 11

A GRADE FINISH CANOPIES

Quality Guaranteed

Step 11 Install the rubber dektite over the solid duct. Do not fix down at this point refer step 13

Step 12: install the motor to the ducting. Slid the flange of the motor to the outside of the ducting and level the unit. Once level screw to the ducting. See figure 11

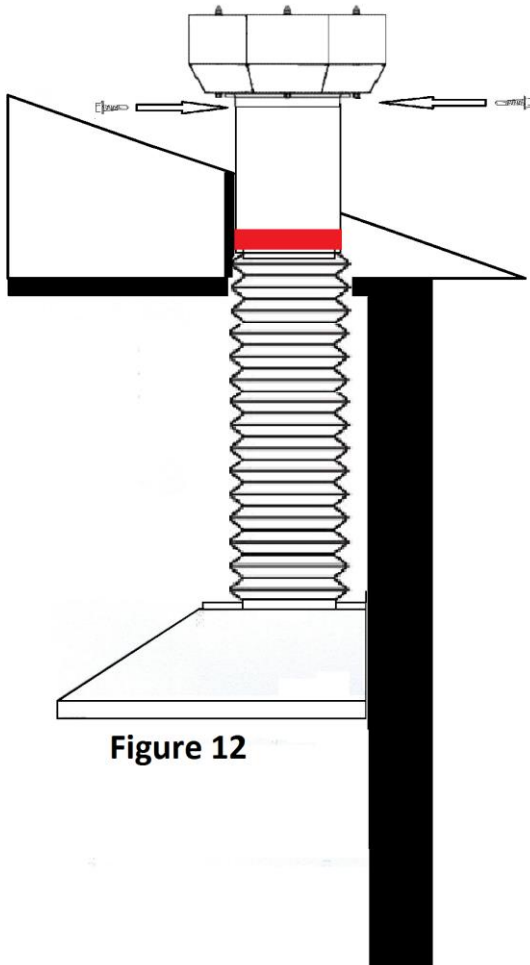


Figure 12

A GRADE FINISH CANOPIES

Quality Guaranteed

Step 13: with the motor now fixed pass the power lead from fan inside the dektite. See figure 13



Figure 13

Step 14: once cable has been placed inside dektite finish screwing dekite down and silicon all edges

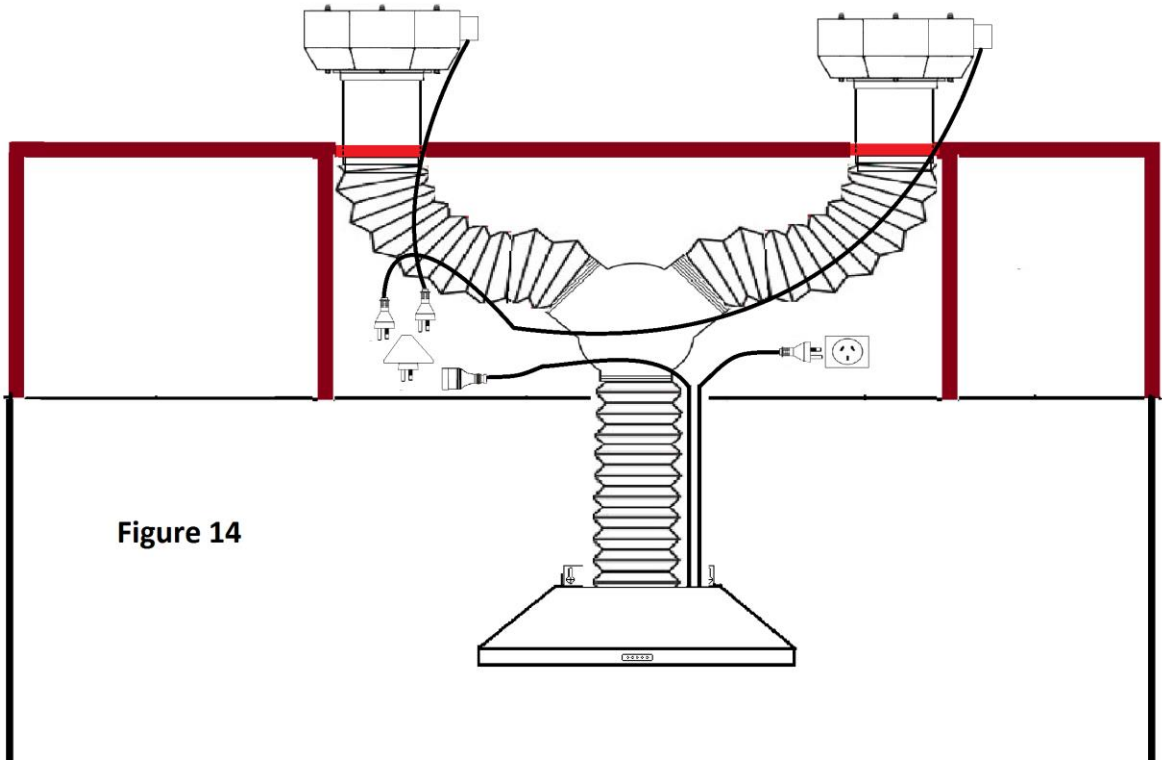
A GRADE FINISH CANOPIES

Quality Guaranteed

Step 15: Connect male plug from rangehood to main power supply. See figure 14

Step 16: Connect female plug from rangehood to male plug of double adaptor See figure 14

Step 17: connect both of the fans to the double adaptor



A GRADE FINISH CANOPIES

Quality Guaranteed

Step 17: Installing the flue cover

With both flue pieces connected to each other (smaller piece to the outside) place on top of rangehood.

Slide the inner piece up to ceiling height and screw into the mounting bracket installed in step 9. (See Image 14/15)

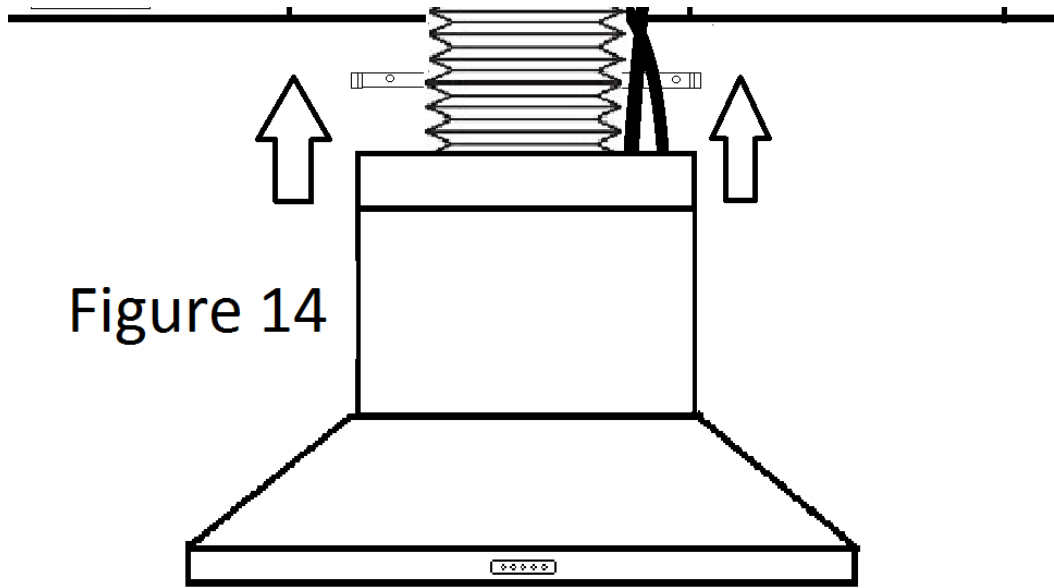


Figure 14

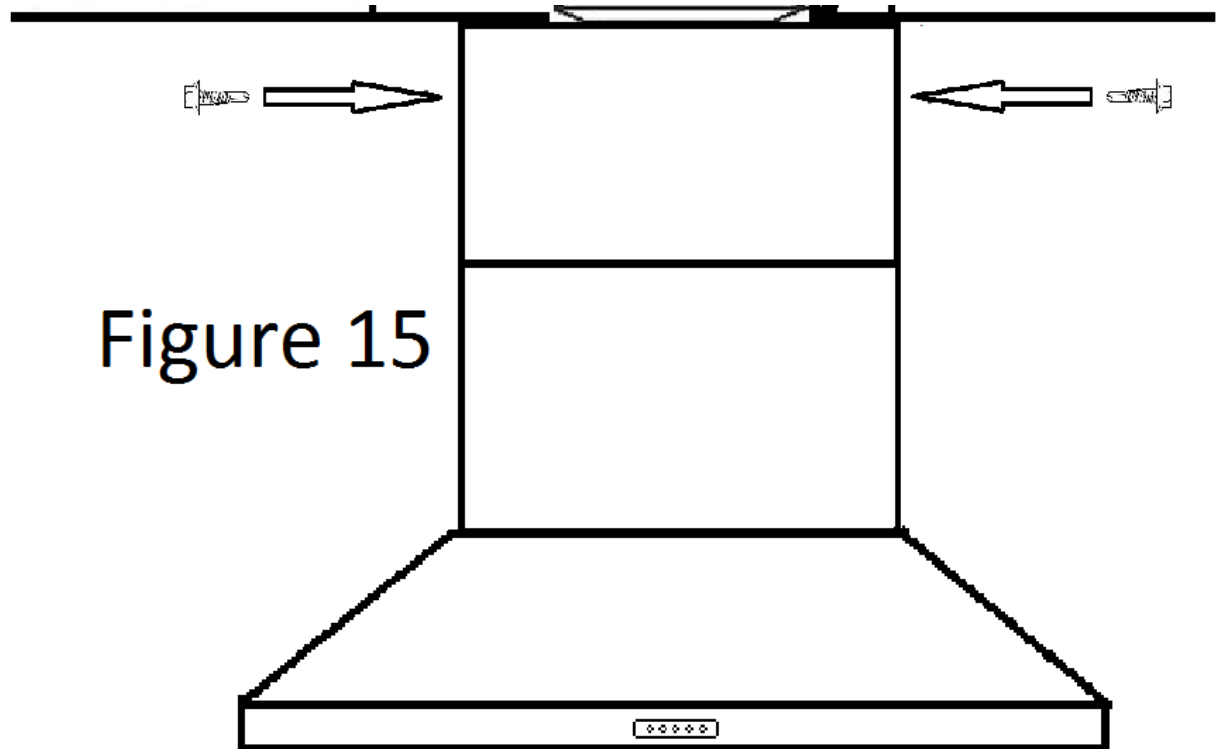


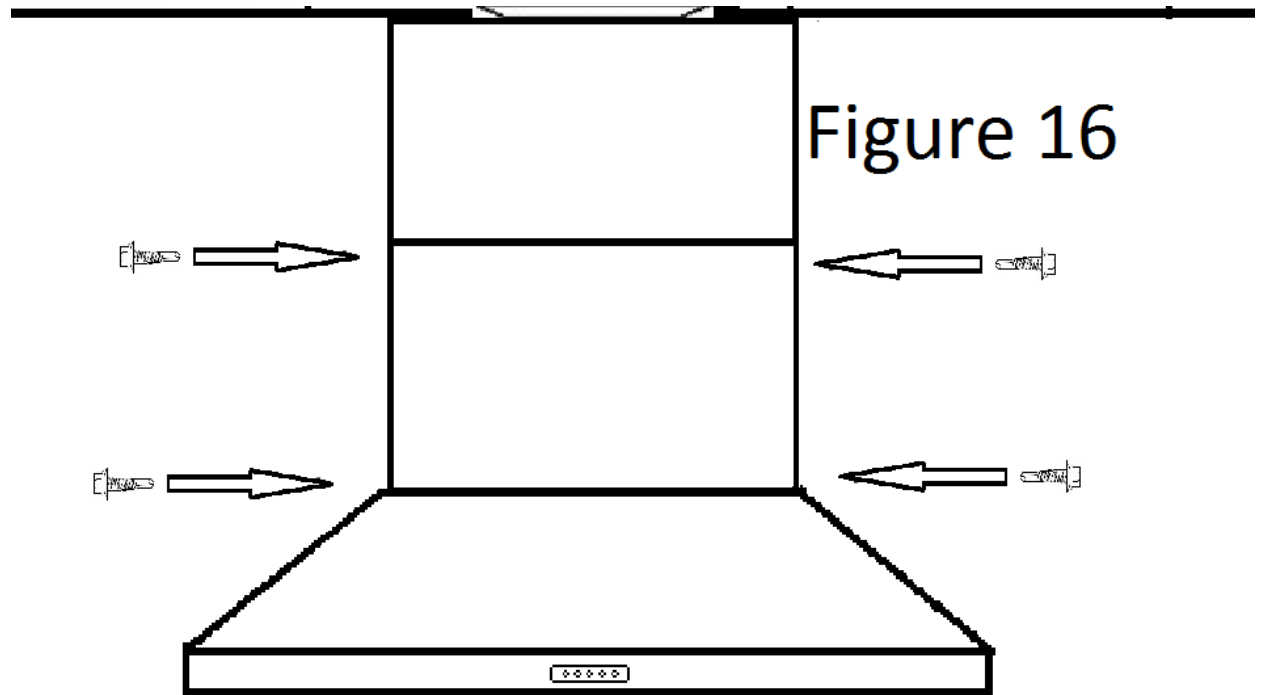
Figure 15

A GRADE FINISH CANOPIES

Quality Guaranteed

With the top half of the flue now secure you will now need to secure the bottom piece

Screw the bottom piece to the rangehood and also screw to the top piece for extra support.
(See figure 16)



Step 18: enjoy your new rangehood

A GRADE FINISH CANOPIES

Quality Guaranteed

5. Operation

Rangehood switch



Power on/off (Fan will not operate without power being on)

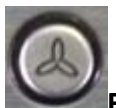
While fan running press power button once to engage the 3 minute timer. Once timer has completed unit will switch off (lights will still remain on after timer has completed). Press the power button second time to switch unit off and bypass the timer function.



Fan low speed



Fan Medium speed



Fan high speed



Downlight operation (power does not need to be on for downlights to operate)

A GRADE FINISH CANOPIES

Quality Guaranteed

5. Operation

Filter Removal/Installation

When removing filters use both the handles and slide the filter to the back of the unit. Once you have the filter at the back of the unit this will enable the filter to release from the rangehood.

To Re-install the filters slide the filter to the back of the unit then slide to the front of the rangehood.



1. Slide filter to back of rangehood



2. Pull filter down and slide filter towards the front of the rangehood to release from body

3. To reinsert the filter do in steps 1 and 2 in reverse

A GRADE FINISH CANOPIES

Quality Guaranteed

6. Maintenance

Please ensure that your unit is turned off prior to conducting any cleaning.

Filters should be cleaned every 3 months or more frequently depending on the use.

NEVER turn the filters around. Handles are to be facing down at all times.

NEVER USE CLOSTIC SODA AS THIS WILL DAMAGE FILTERS

Never wipe unit with a wet cloth as water may affect the electrical switches.

We recommend the use of stainless steel cleaning wipes.

When cleaning roof cover roof mount fan with plastic if you are going to use chemicals.

A GRADE FINISH CANOPIES

Quality Guaranteed

Globe Removal

1. Rotate the inner globe holder in an anti-clockwise direction



Do not exceed 50 Watts

2. Pull the globe holder and globe out and disconnect the globe from the lamp lead



Do not exceed 50 Watts

A GRADE FINISH CANOPIES

Quality Guaranteed

3. Once disconnected for the lamp lead remove the halogen light from its housing



Do not exceed 50 Watts

4. Insert a new globe into the housing making sure the globe fit nice and tight in the housing.



Do not exceed 50 Watts

A GRADE FINISH CANOPIES

Quality Guaranteed

5. Reconnect the globe and holder to lamp lead



Do not exceed 50 Watts

6. Insert back into housing and turn in clockwise direction to lock into place.



Do not exceed 50 Watts



7. Technical Support

For all technical support please contact A Grade Finish Canopies on (03) 9355 7100 or via email info@agradefinish.com.au

8. Warranty

AGF310 has a standard 12 months warranty from date of purchase.

An additional 12 months warranty can be purchased direct from A Grade Finish Canopies

Please refer to warranty card included in box for full warranty terms