

2 Piece Hood Rack - Installation & Operations Manual 2014 Yamaha Viking



Installation information:

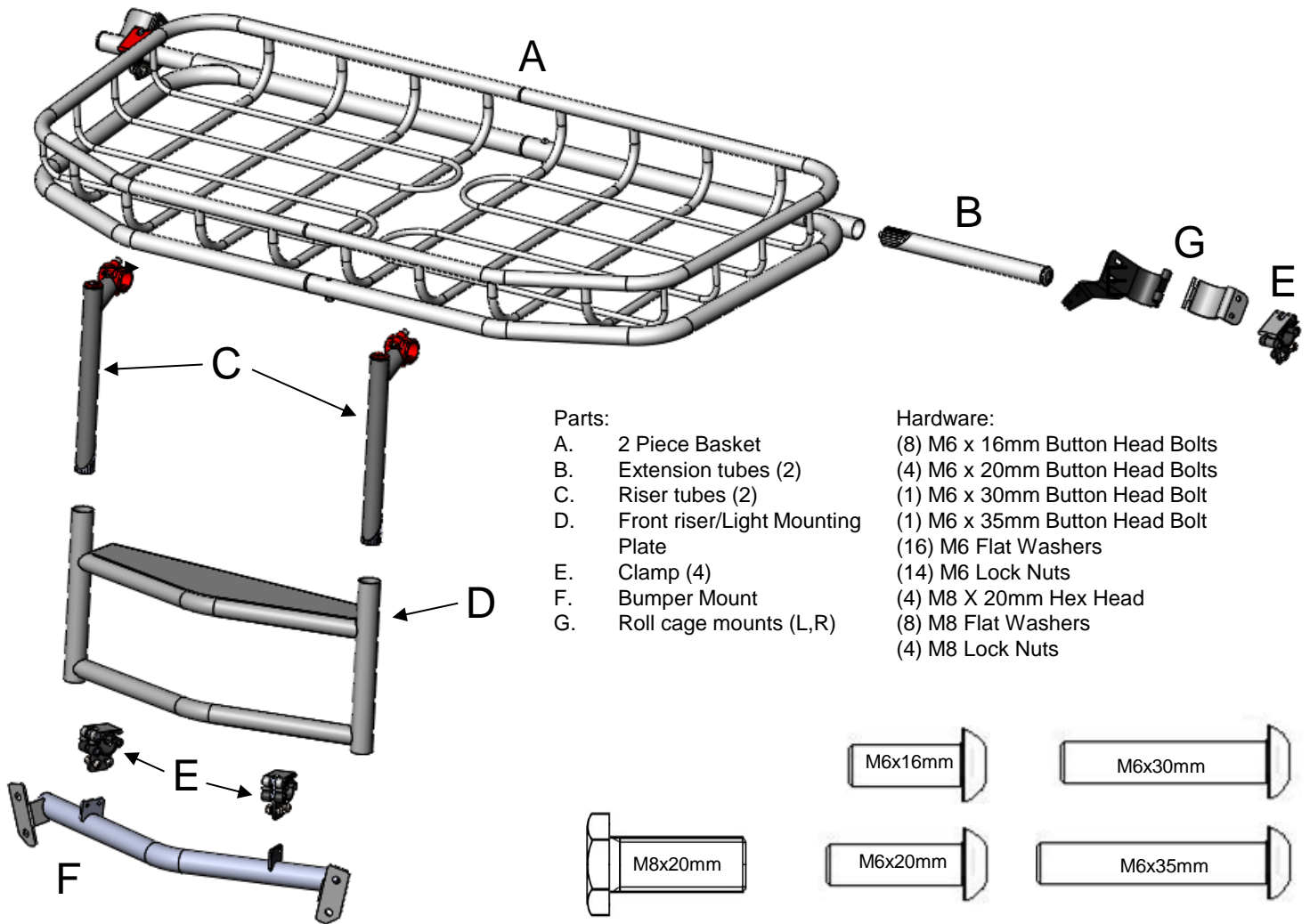
- This product has an installation rating of: **Easy**
- Approximate installation time: **30 Minutes**
- This product is easiest to install with: **2 people**

Seizmik makes Windshields, Doors, Tops, Hood Racks, Brush Guards, and other great accessories for utility vehicles & side x sides. Our products are engineered tough for long life and tested under the harshest of conditions.

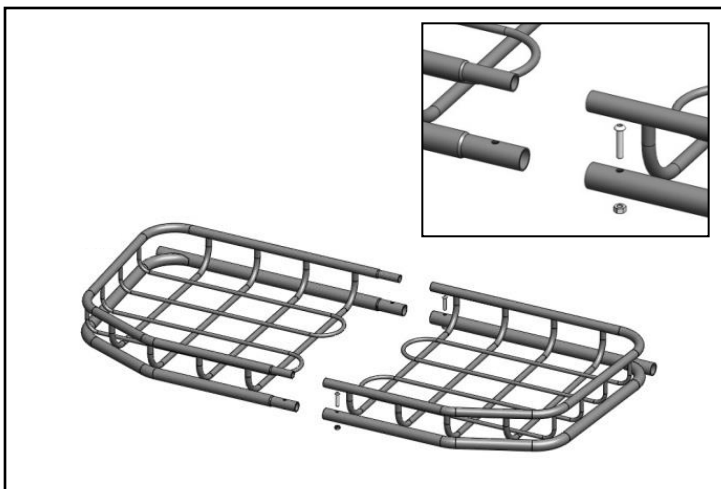
Always observe the warnings and precautions in this manual when using your Seizmik products. For best results, carefully follow the instructions in this manual and make no modifications.

Seizmik products are designed, developed and manufactured by Vialink Corp. If you have any questions, comments, need assistance, or are missing parts, please call 1-866-838-3366 between 9:00AM and 5:00PM EST. You can email us at support@seizmik.com

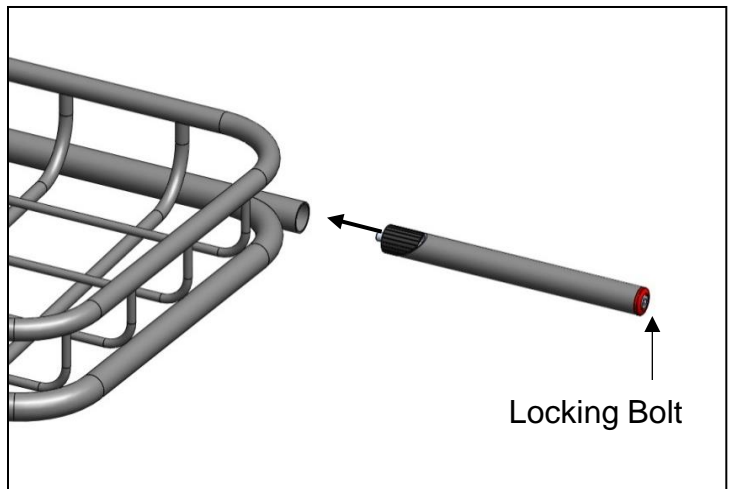
Parts List



Basket Assembly



1. Assemble two sides of rack (A). Secure the larger rear tube with an M6 x 35mm Socket Head bolt and lock nut. Secure the front smaller tube with an M6 x 30mm Socket Head bolt and lock nut.



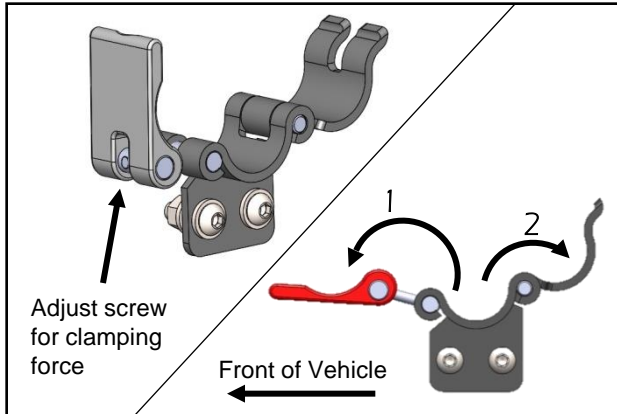
2. Insert an Extendable Tube (B) in each end of the hood rack. Push in just a few inches and tighten the locking bolt in the end of the tube just enough to hold the extending tube in place. You will make a final adjustment and tighten later.

Bumper Mount Assembly



1. Remove plastic bumpers. There are two self-tapping screws and one machine screw on each side. Look for the machine screw under the fender.

Clamp Orientation and adjustment



To open a clamp, lift up on both levers in the order above. Orient all clamps so the first clamp lever opens towards the front of the vehicle. To increase clamping force, tighten screw; to decrease the clamping force, loosen screw before locking.

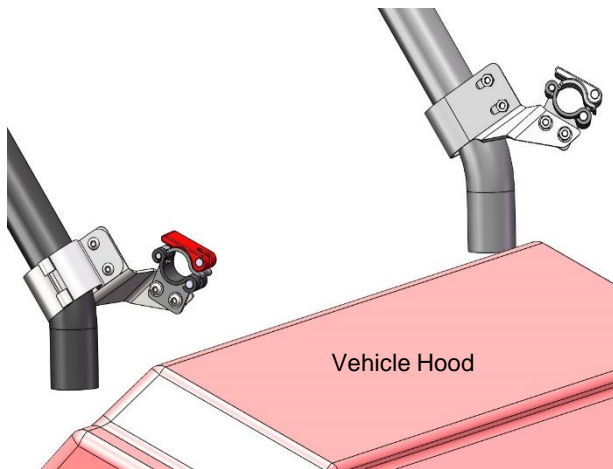


2. Install the bumper mount using four M8 Hex head bolts and nuts.

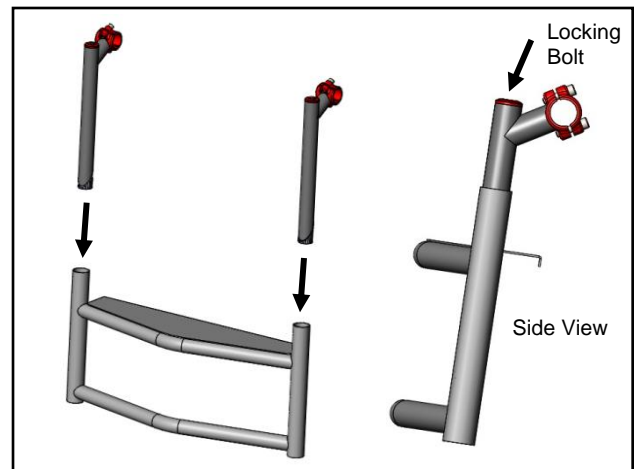


3. Install two clamps on the bumper mount using the M6 x 16mm bolts and nuts.

Rear Mounting and Riser Assembly

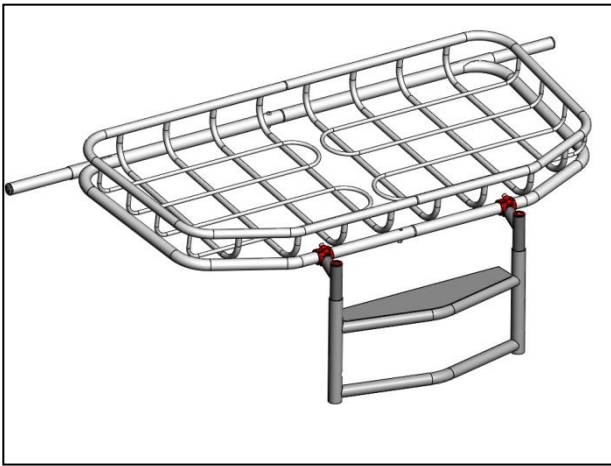


1. Attach the roll cage clamps with two M6 x 16mm bolts, nuts and washers. Attach two clamps with two M6 x 16mm bolts, nuts and washers. Make sure the top clamp lever opens towards the front of the vehicle.

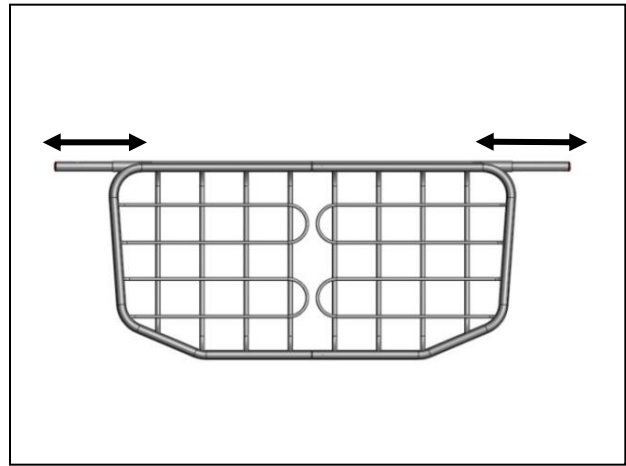


2. Insert the riser tubes into the Front riser/Light Mounting Plate. The flanges on the tubes should face toward the light mounting plate. Tighten the locking bolt at the top of the tube just enough to hold the riser stems in place. You will tighten after final assembly.

Final Assembly and Adjustments



1. Attach the front assembly to the hood rack.



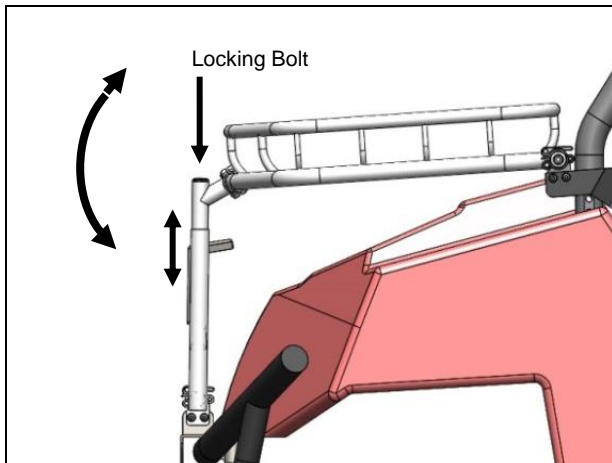
2. Adjust the position of the extendable tubes so they stick out just past the clamps.



3. Open the four clamps on the vehicle. Lift the entire hood rack assembly onto the four clamps.



4. Lock the four clamps in place.



5. The hood rack angle can be adjusted by loosening the bolt on the front riser stems and lifting up or pushing down on the front of the rack. Adjust clamps and brackets as necessary, then tighten all bolts.



Lights or a light bar can be attached to the hood rack by drilling holes in the light mounting plate. We recommend our 13" 60 Watt Seizmik Light Bar with 5,400 Lumen output. Part Number #12037

How to get Help - If you have any questions, comments, need assistance, or are missing parts, please call 1-866-838-3366 between 9:00AM and 5:00PM EST. You can email us at support@seizmik.com, visit www.seizmik.com to download installation guides and product info, or contact your powersports dealer where you purchased your Seizmik product if you need additional assistance.