

HardCabs →

INSTALLATION INSTRUCTIONS

YAMAHA **VIKING YXM 700**



SAFETY INSTRUCTIONS

Warning: Failure to heed all safety and operating instructions and warnings regarding use of this product can result in serious bodily injury.

READ PROPERLY COMPLETE ASSEMBLY INSTRUCTIONS BEFORE STARTING OF ASSEMBLY

Install all parts indicated in assembly instructions. Failure to fully assemble product before use could result in personal injury.

Assembly of product requires use of hand or power tools. If you are not experienced in using these types of tools, have product dealer do the install for you.

Some parts contain sharp edges, wear protective gloves if necessary.

Always keep your assembly area clean, uncluttered and well lit.

Keep visitors and children a safe distance away from the assembly area. Visitors should wear the same safety equipment described under.

Never operate your UTV with the cab doors open. Failure to properly latch the doors before moving the vehicle could result in serious injury.

Dress for safety. DO NOT wear loose clothing, gloves, neckties or jewelry if using power tools to assemble this product.

Insert all nut covers after you finish installation.

Never drive your UTV with the cab front window in open position. Failure to properly latch/lock front window before driving the vehicle could result in serious injury.

Please be careful not to break the plastic washers. When tightening screws with plastic washers use maximal power 3,7 foot-pound force (5 Nm)!!!

WARNING: For safety purposes, if the DFK Cab doors are removed, it is mandatory that the OEM manufactured Half Doors or Nets are **REINSTALLED** before operating the vehicle.

MAINTENANCE AND CLEANING

To clean polycarbonate surface use soapy water solution or other subtle means.

Dirt and dust wash by gently water stream and swipe only with wet or damp means in the direction from top to bottom.

The recommended frequency of cleaning of polycarbonate part is about 1 time per month or according to the actual degree of pollution.

*Do not use detergents that could scratch the surface plates.
(abrasives, harsh fabrics, etc.)*

*Do not use solvents or alkaline detergents or cleaners with ammonia
(ammonium hydroxide).*

Do not remove the impurities from the surface of the razor blades or other sharp items.

Do not clean cab when the polycarbonate plates are heated by the sun.

Do not use a squeegee, it could scratch surface plates.

Do not clean the water pressure greater than 50 bar (WAP)







The manufacturer is not responsible for scratches on polycarbonate in cases of failure to comply with the above instructions.

All bolted connections of cab must be checked and tightened by user at regular intervals.

Please be careful not to break the plastic washers. When tightening screws with plastic washers use maximal power 3,7 foot-pound force (5 Nm)!!!

TOOLS NEEDED

Not included

		
<p>Ratchet handle</p>	<p>Socket beg 13 mm (0,51 in)</p>	<p>Hex key 5 and 6 and 8mm</p>
		
<p>Socket beg 8 mm (0,31 in)</p>	<p>Metric wrench 13mm, 17mm</p>	<p>Utility knife</p>
		
<p>Drill ø 8mm (0,31-0,33 in)</p>		

PREPARATION FOR INSTALLATION:

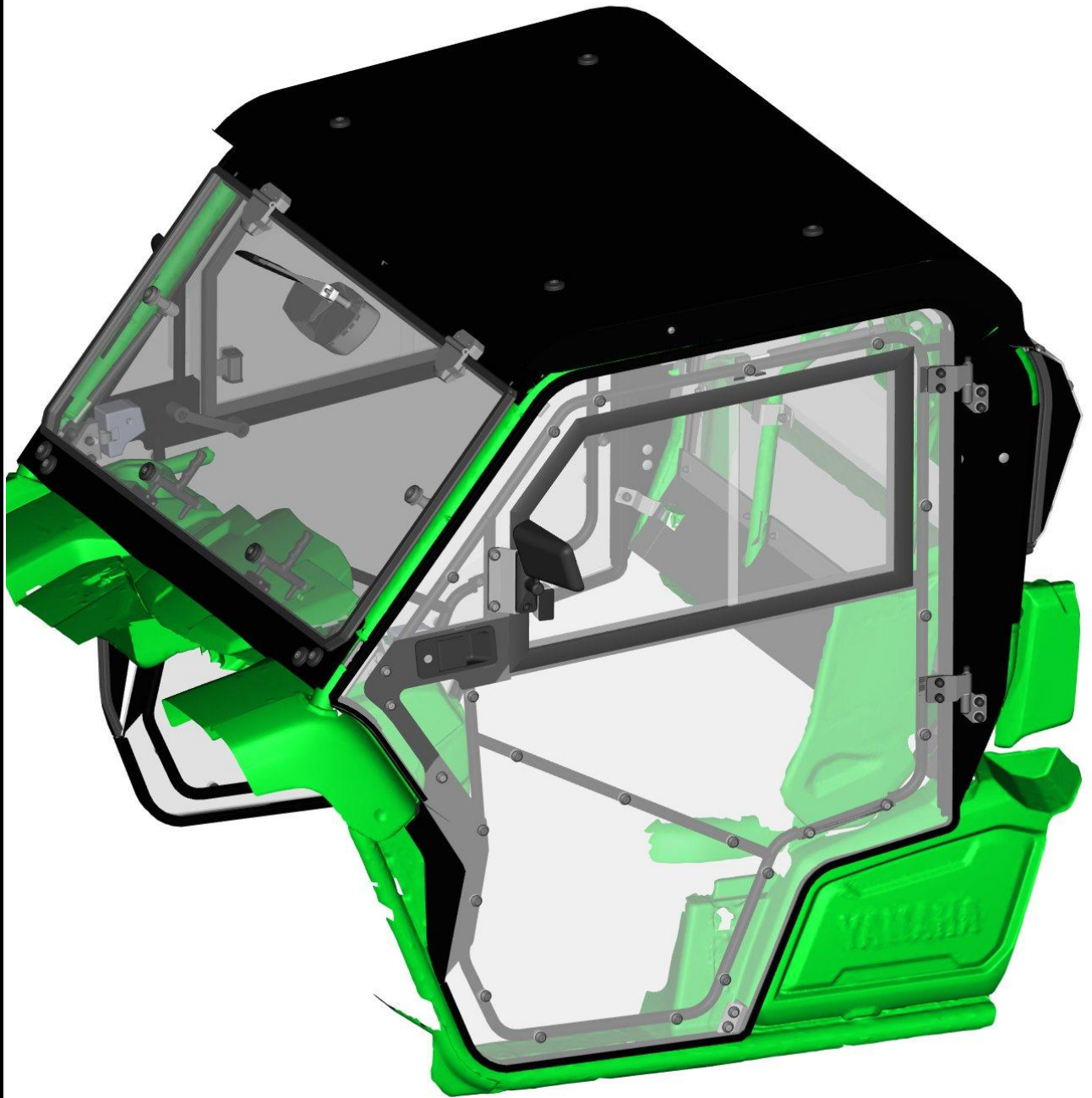
Uninstall all additional systems from the roller cages (work lights, rear mirrors, drink holders etc.)
Uninstall the original roof and the original doors from the roller cage and save these carefully.



Door detail view (in red rectangle).



CAB PREVIEW



6

FRONT PANEL

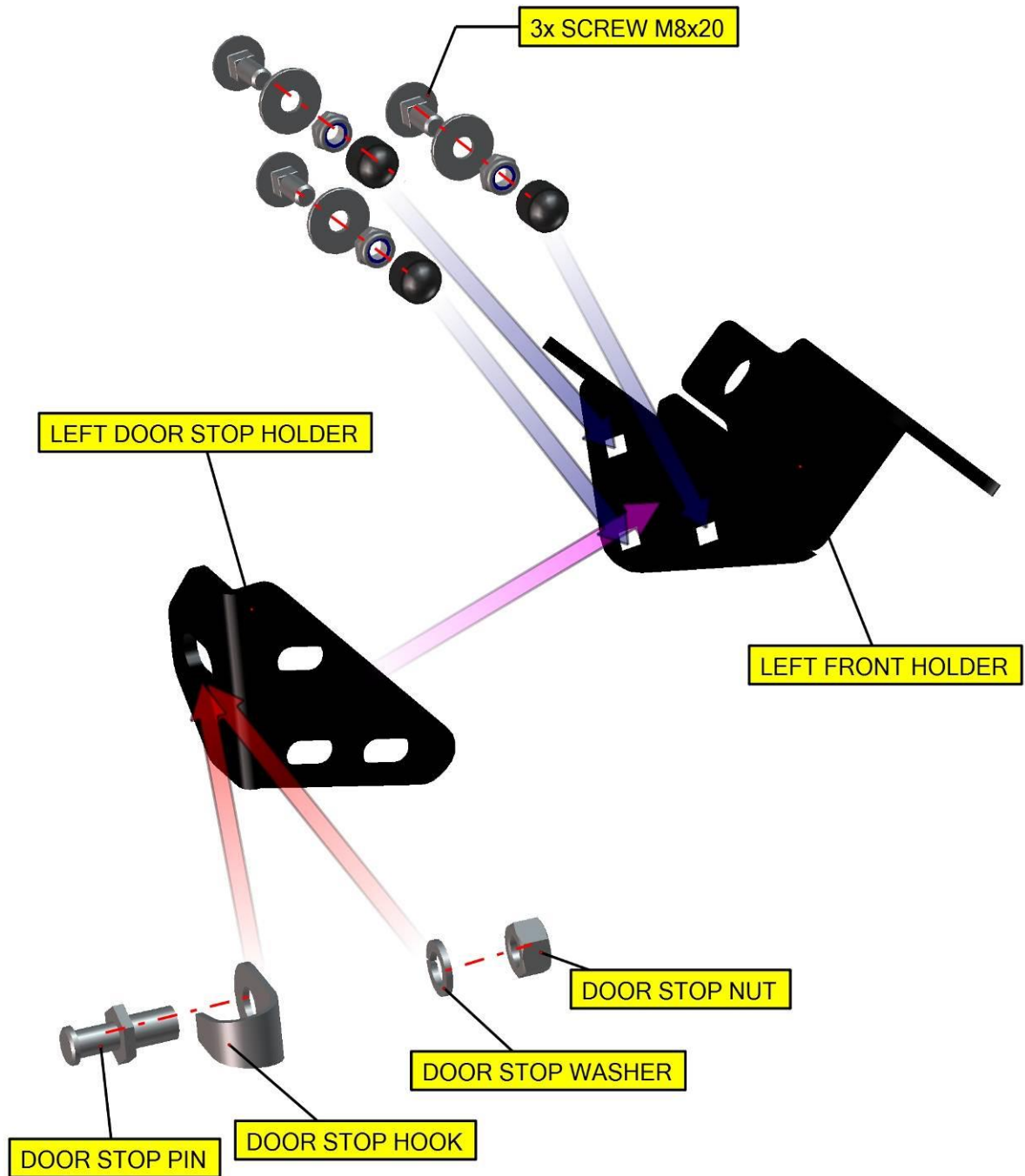
Install the door stop assembly (pin, hook, washer and nut) into the correct door stop holder (left or right).

Place the door stop holder with the door stop assembly onto the correct front holder (left or right).

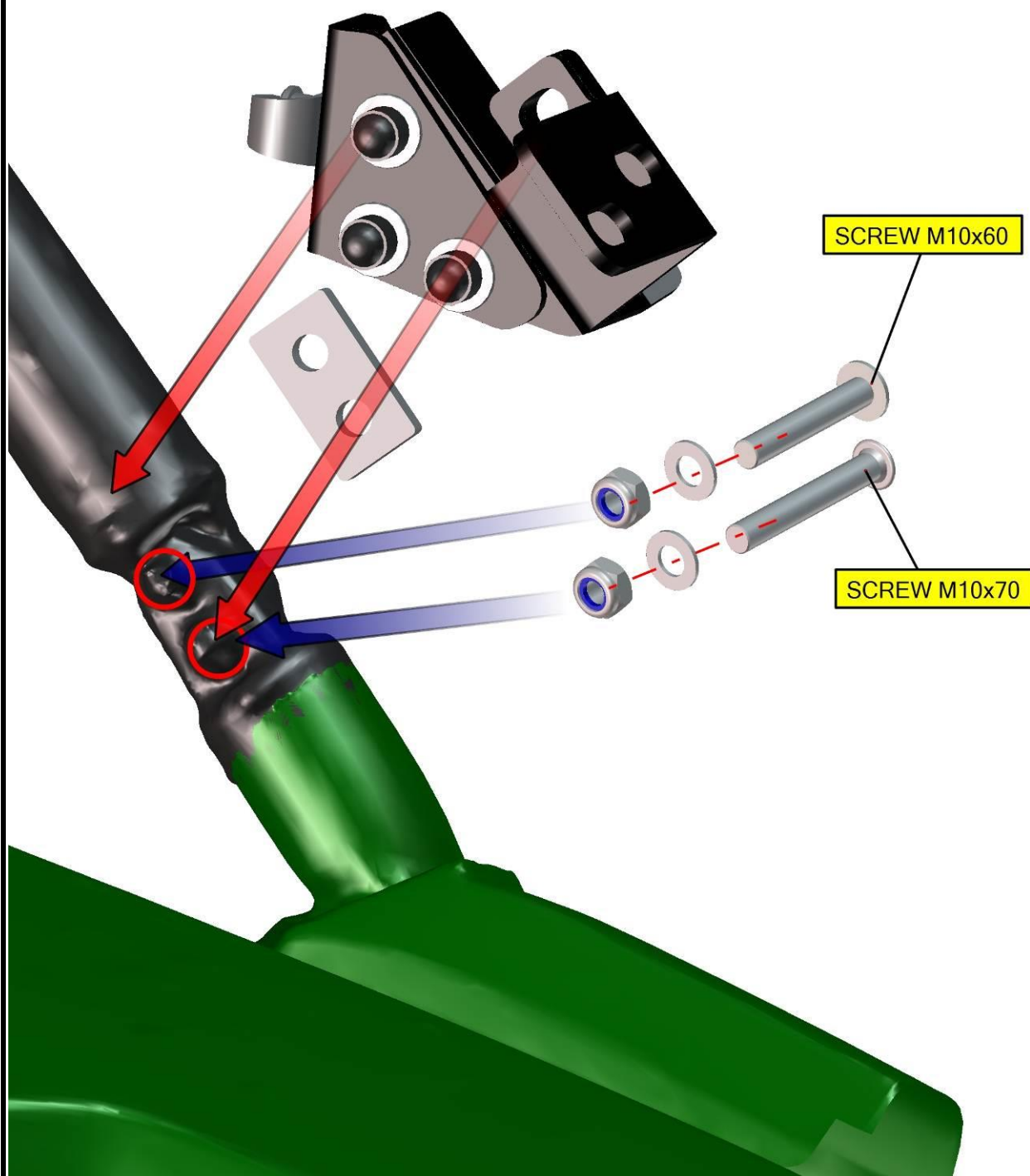
Fix the door stop holder with the front holder by screws, washers, nuts and covers.

Use the LEFT door stop holder and LEFT front ledge holder(on picture) on LEFT side of the roller cage.

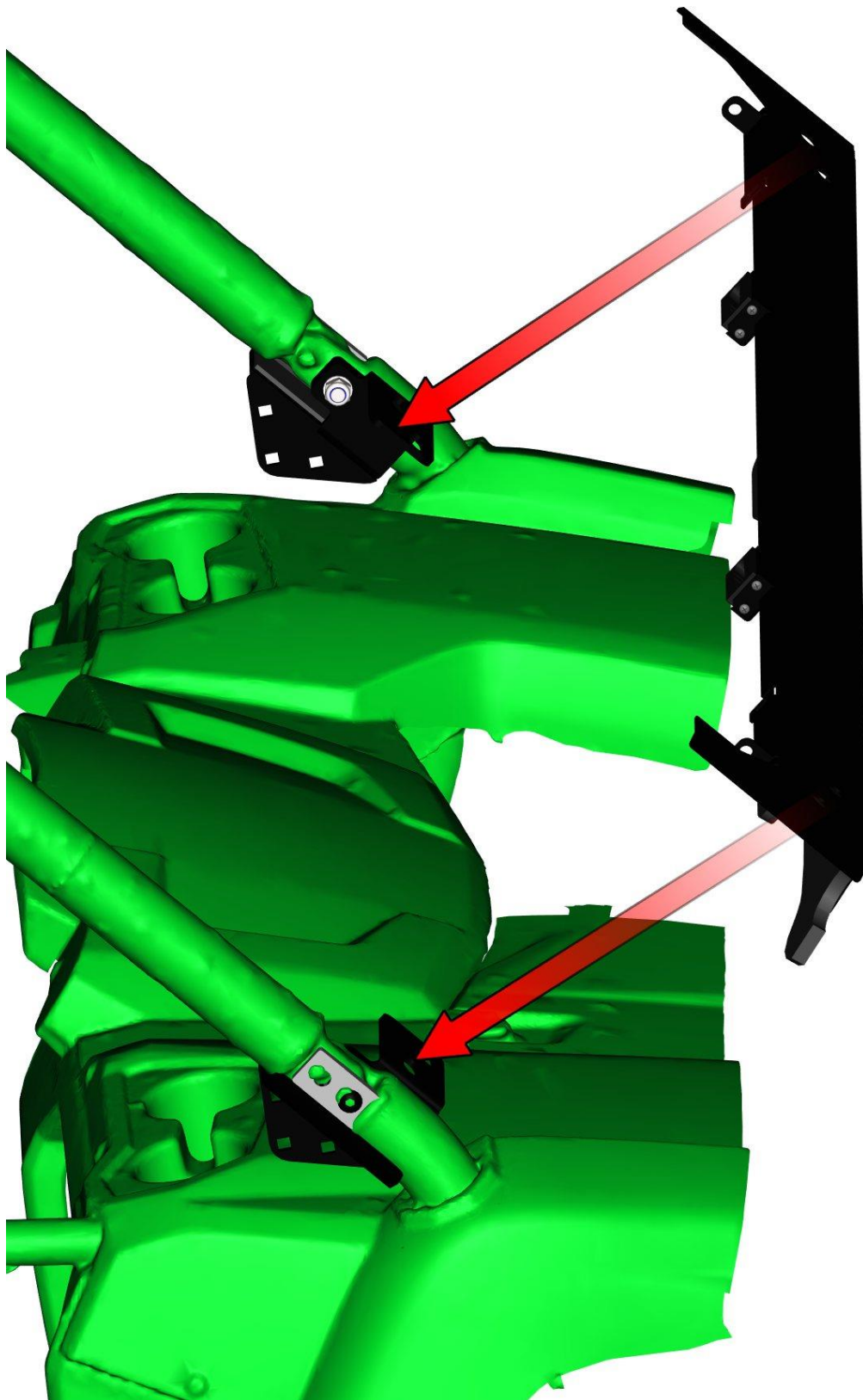
YOU CAN'T MAKE MISTAKE BETWEEN LEFT AND RIGHT PARTS, IF YOU MAKE MISTAKE, YOU ARE GOING TO HAVE BIG PROBLEM WITH DOOR STOP ADJUSTING!



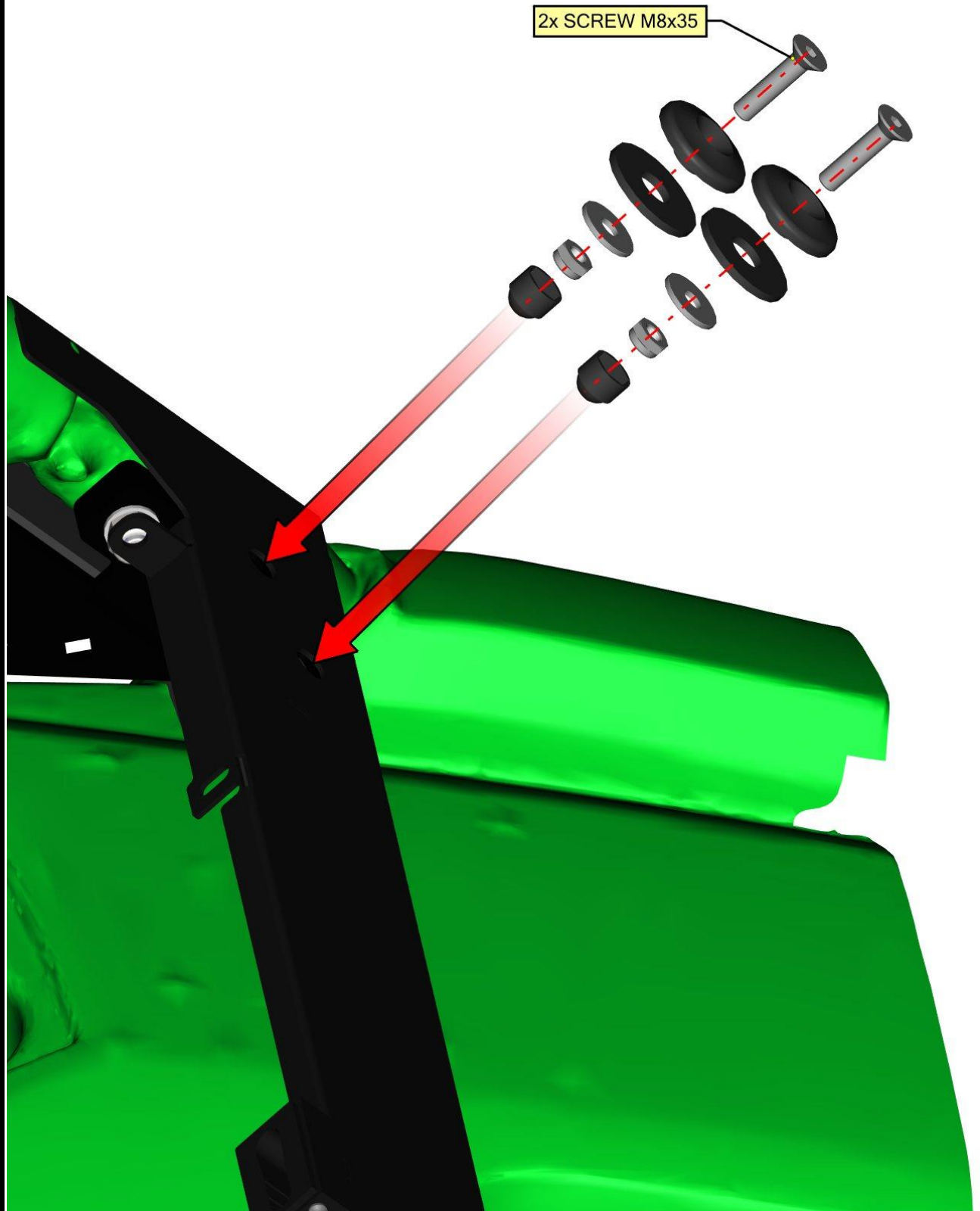
Uninstall the bottom original screws (in red circles) **one by one** from the front bottom part of the roller cage. Place the metal rectangel and the left holder assembly (from previous page) onto the roller cage.



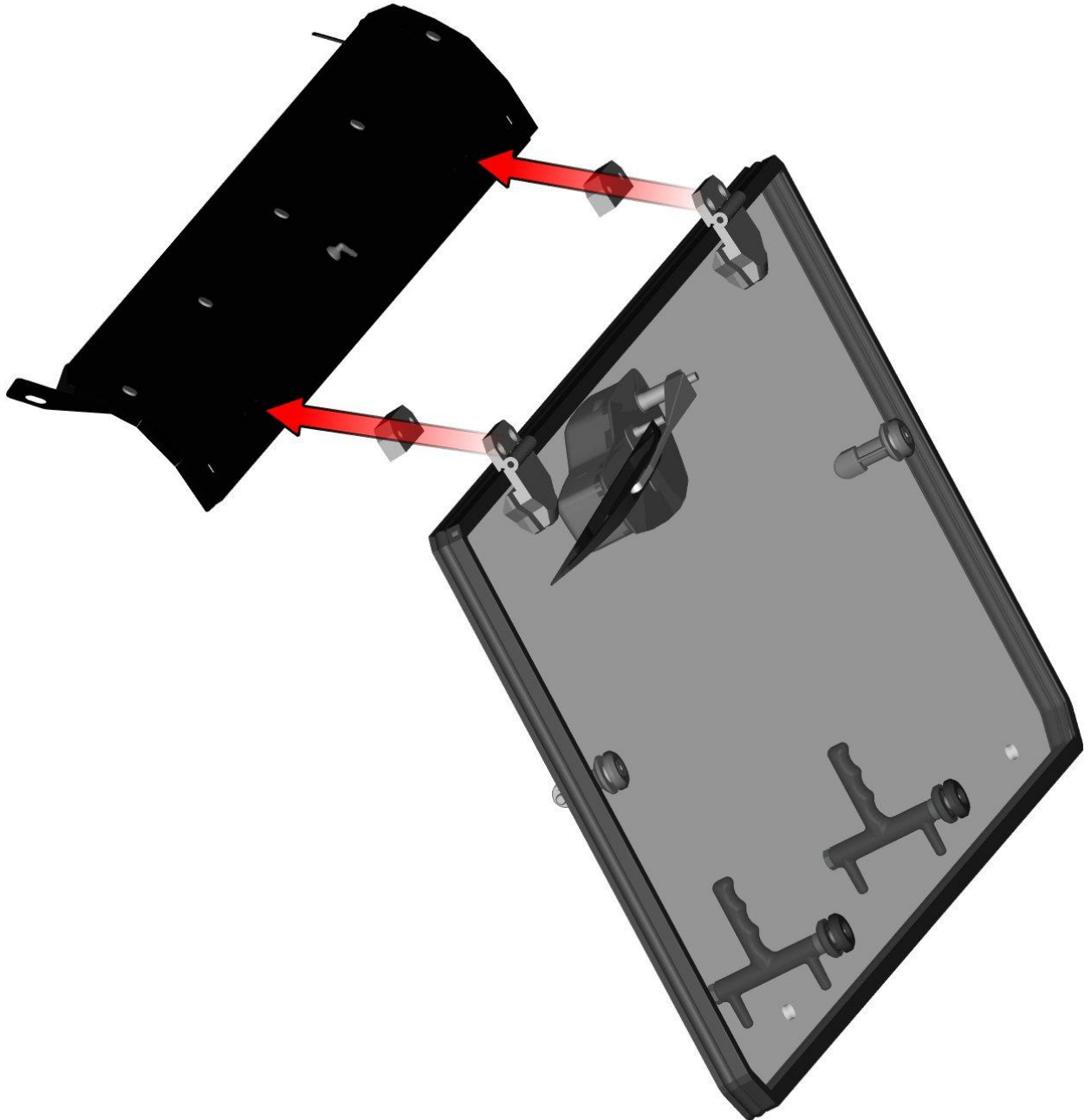
Fix the rectangle and the holder assembly with the roller cage by screw, washer and nut.
Repeat previous steps with the right parts on the second side of the UTV.
Place the front bottom ledge onto the holders and onto the front UTV's dashboard.



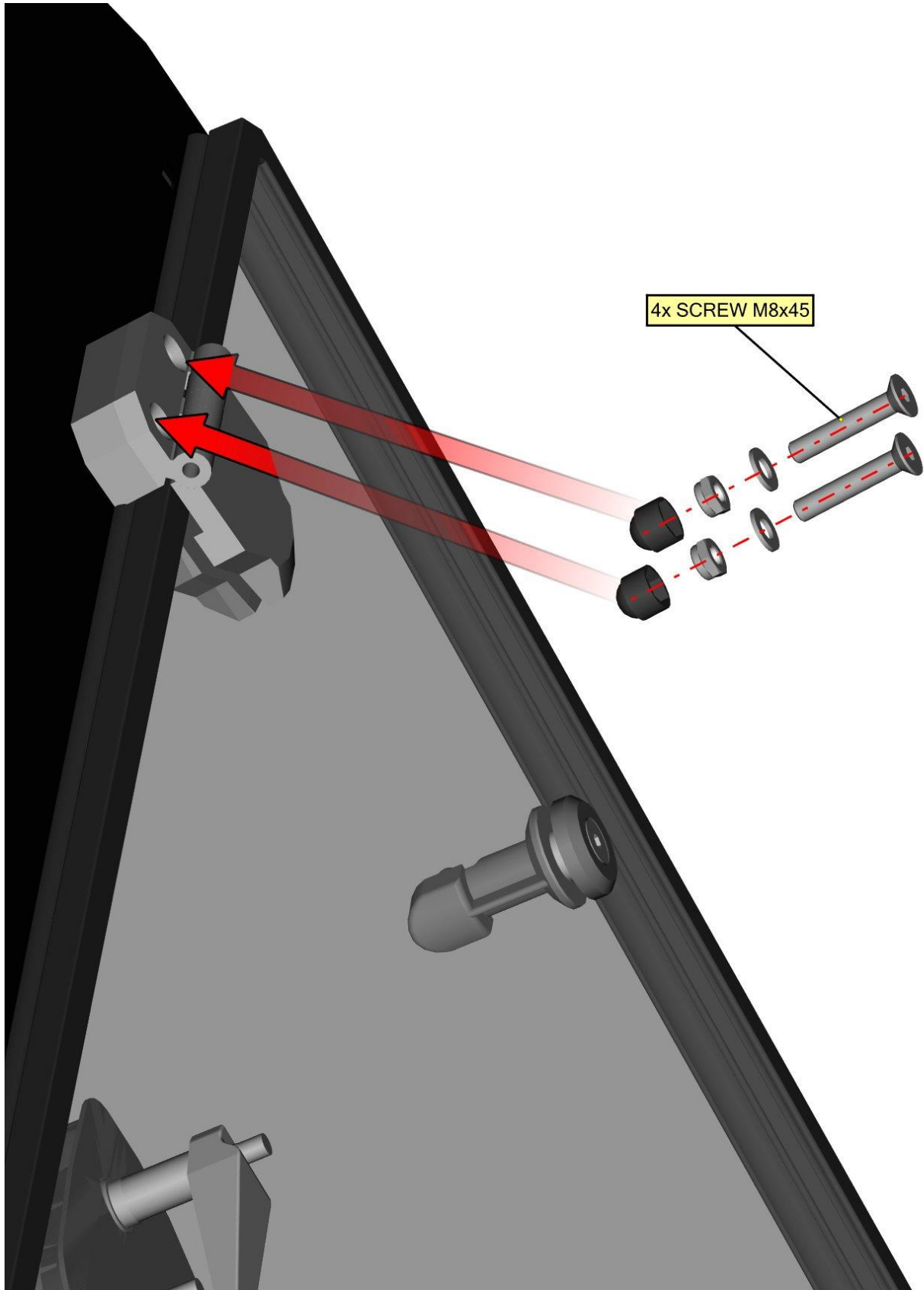
Fix the ledge with the holders to the roller cage by screws, washers, nuts and covers on both sides.



Place the front window assembly and the hinge's bases onto the front upper ledge.



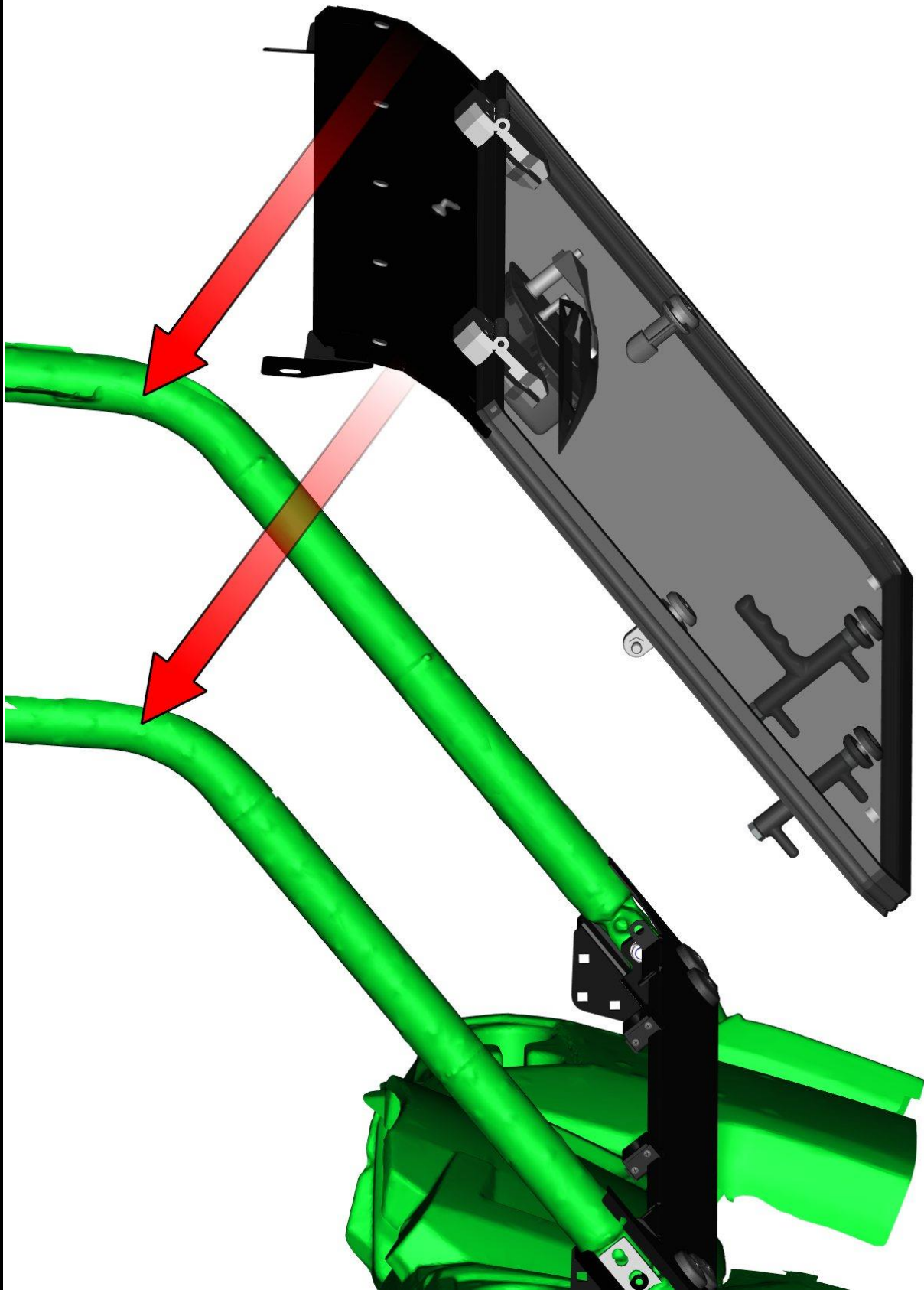
Fix the hinges and the hinge's bases with the front upper ledge by screws, washers, nuts and covers on both sides.



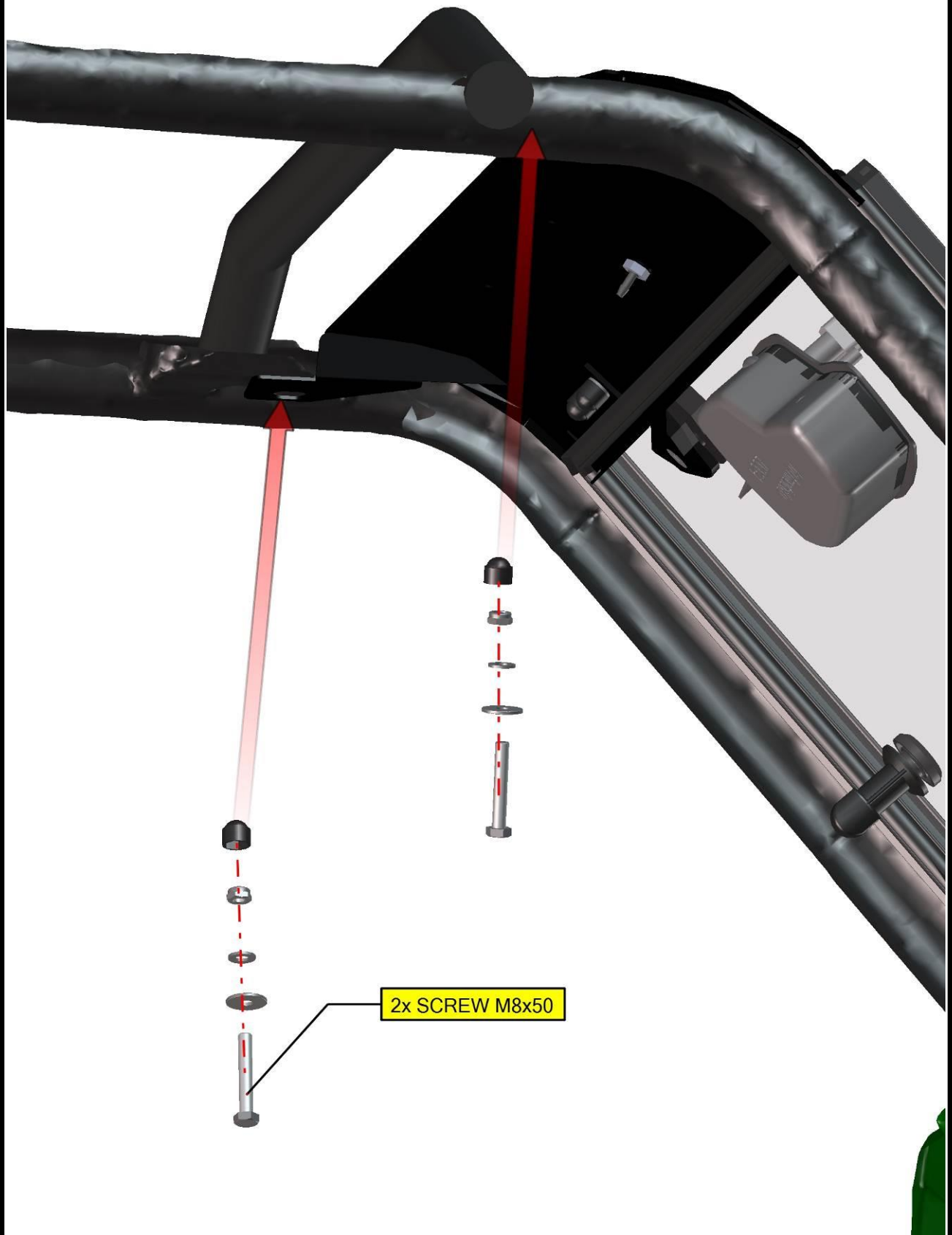
Uninstall original screws from the front upper roller cage reinforcement from both sides, insert 3x washers 10 large and install screws back on both sides.



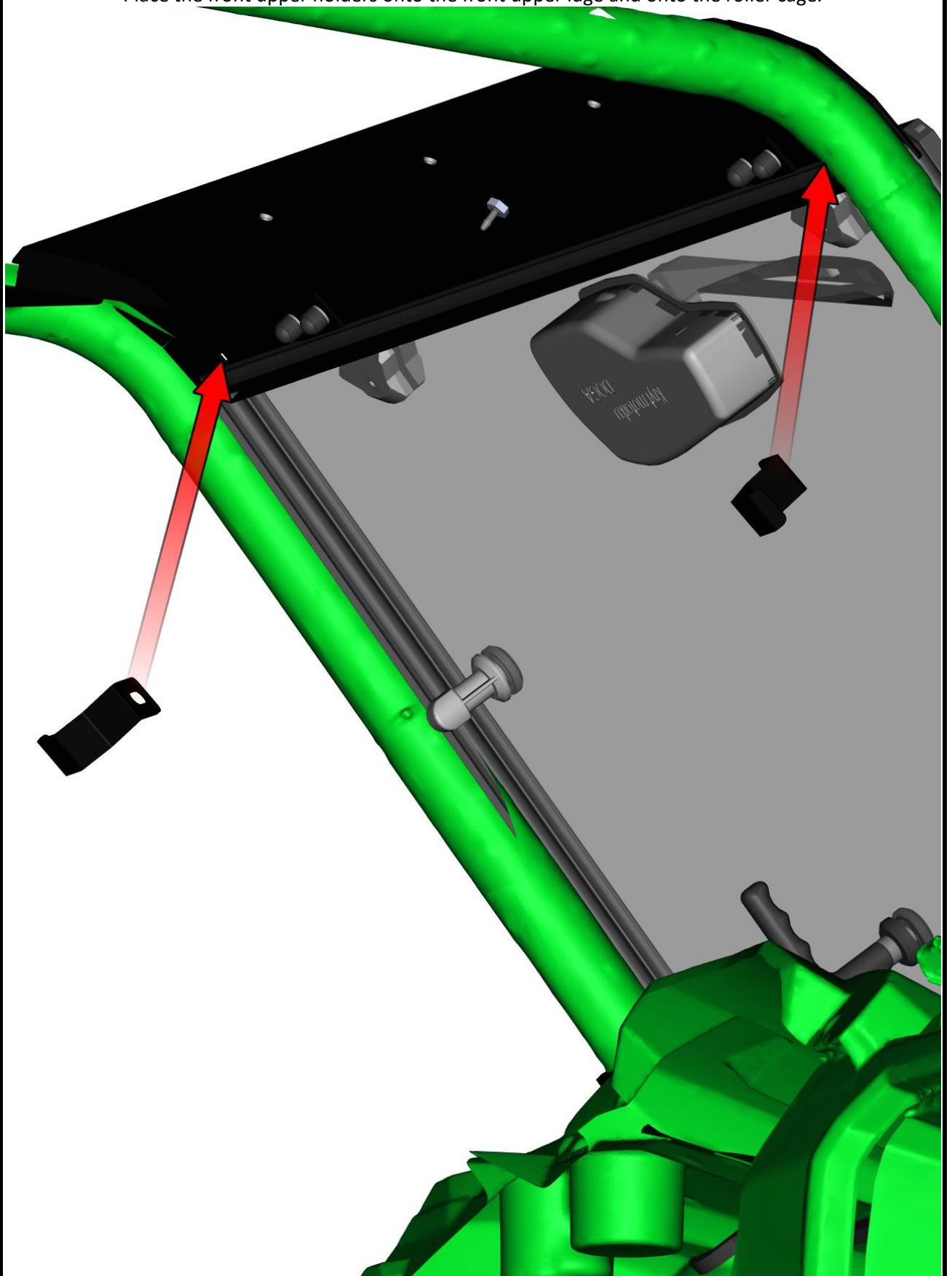
Place the front window with the ledge onto the roller cage.



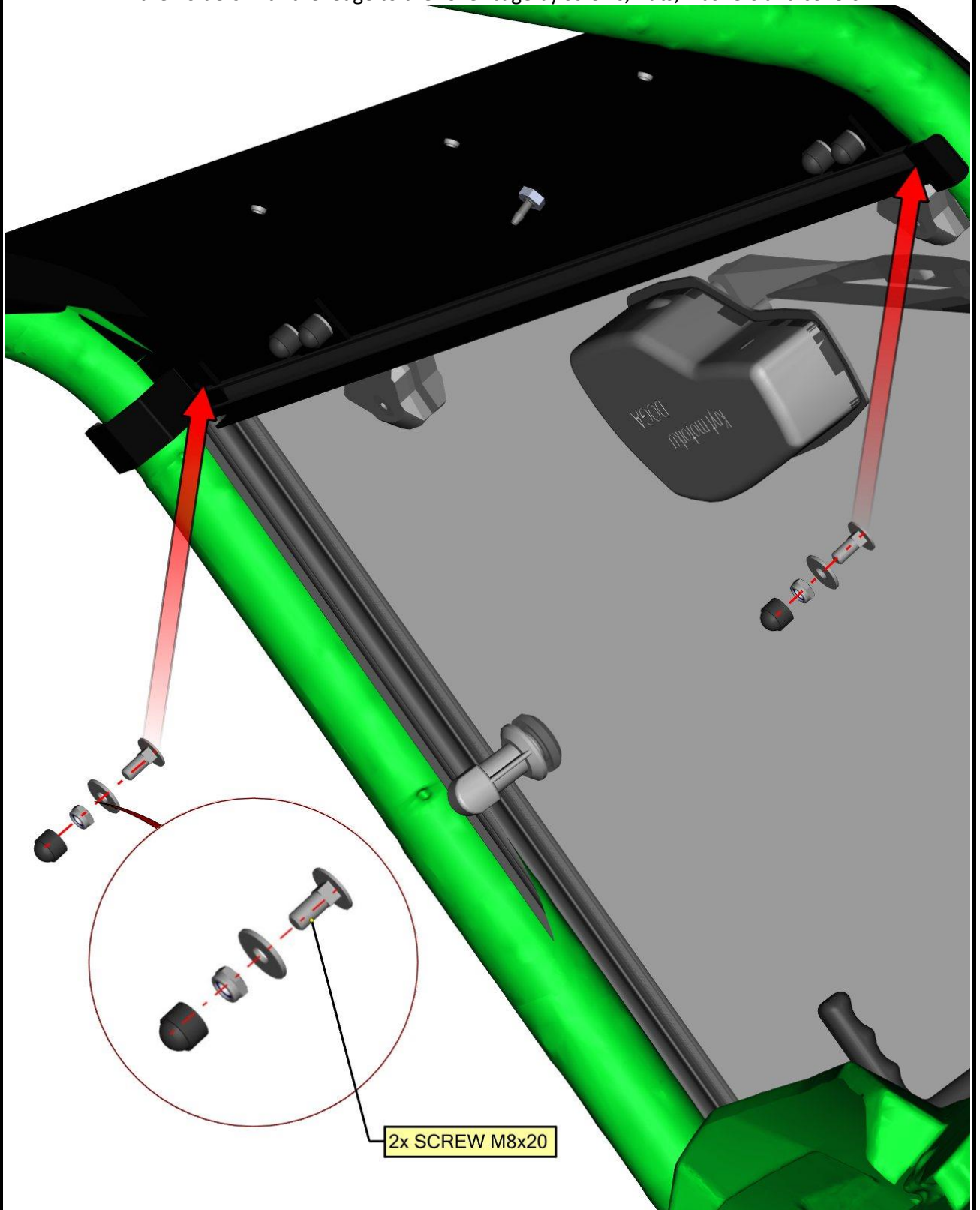
Fix the front upper ledge with the roller cage original reinforcement by screws, washers, nuts and covers.



Place the front upper holders onto the front upper lidge and onto the roller cage.



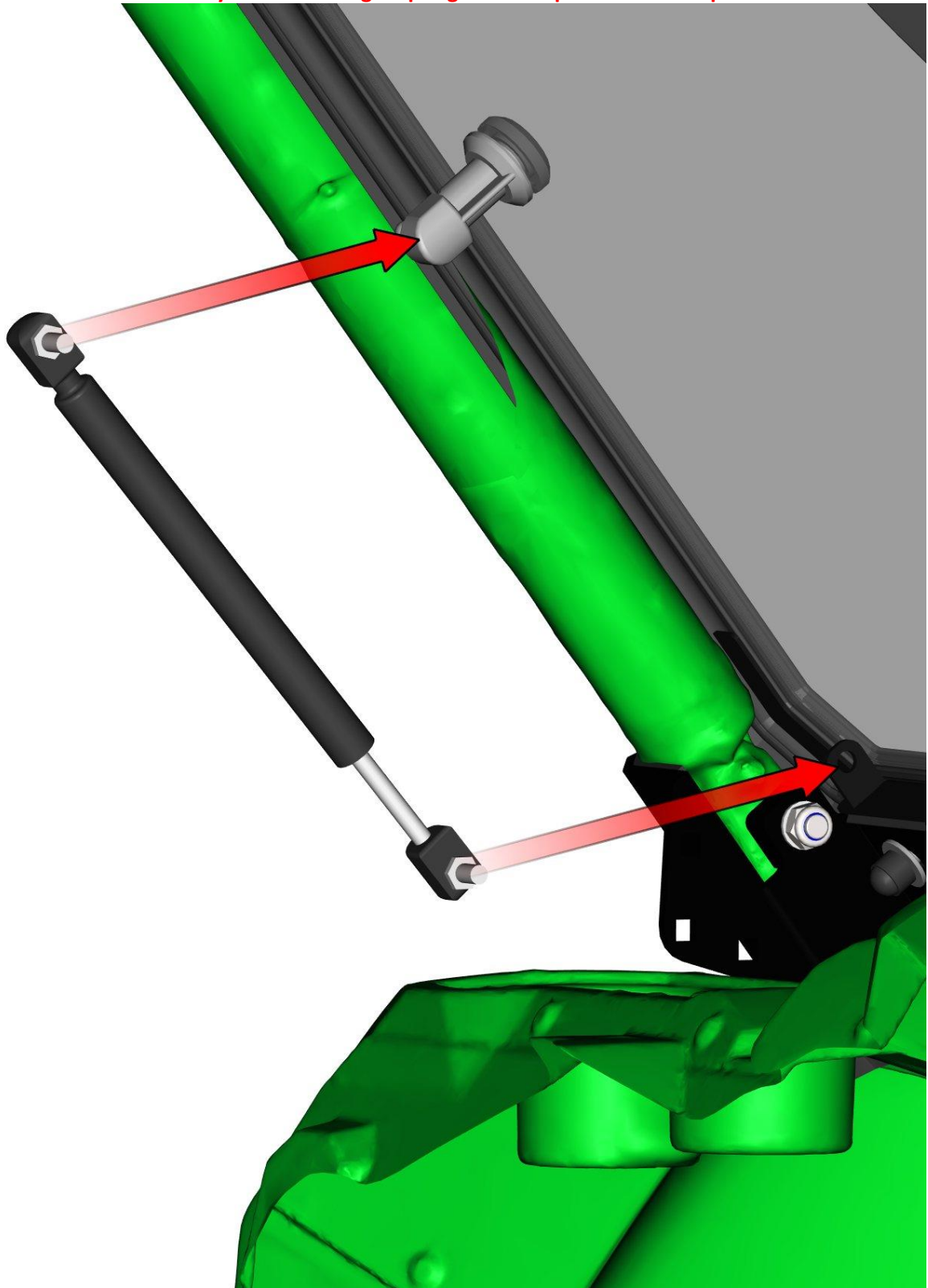
Fix the holders with the ledge to the roller cage by screws, nuts, washers and covers.



Adjust the front parts and assemblies to best position and tighten all nuts and screws correctly.
Please be careful not to break the plastic washers. When tightening screws with plastic washers use maximal power 3,7 foot-pound force (5 Nm)!!!

Install the gas spring onto the gas spring holder on both sides.

It's necessary to install the gas springs in same position like on picture.



Fix the gas springs with the front bottom ledge by nuts, washers and covers on both sides.

